

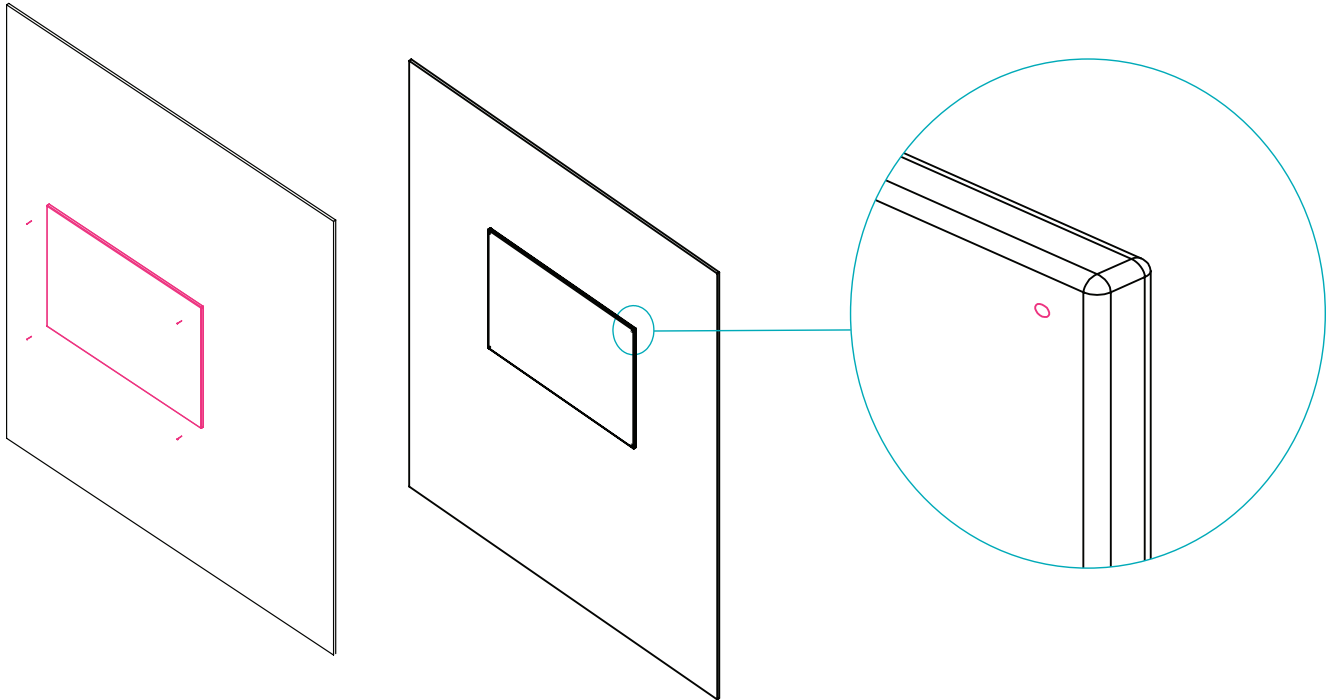
CLEAR
DESIGN

FABRIC DIVIDER

Wall Mounting Installation Instructions

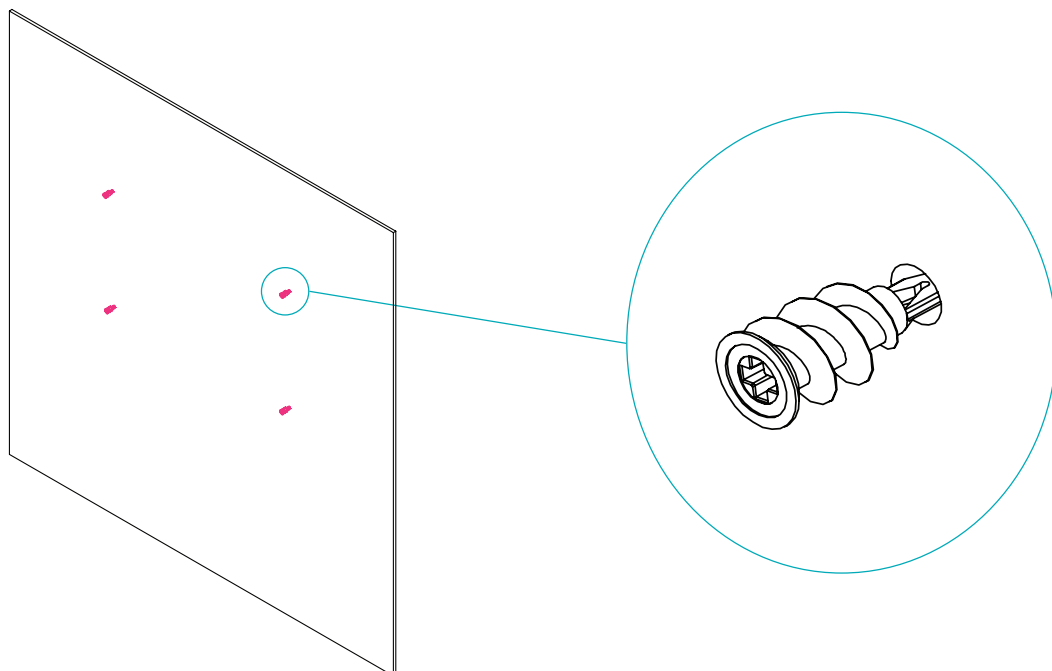
1 | ALIGN PANEL TO DESIRED POSITION ON WALL

Place the divider against the wall, perpendicular to the ground, and use a level to make sure divider is aligned. Place nails 1" from the edge of each corner of the divider and hammer in so that the divider is connected to the wall.



2 | REMOVE PANEL AND SECURE ANCHORS

Remove the divider from the wall and locate the holes left from the nails. Drill **6-8mm** holes for the four anchors. Push the sharp end of the drywall anchor into the drill holes and screw in place with a screwdriver.



3 | SECURE DIVIDER TO WALL

Remove the nails from the fabric divider, and place button cap washers on screws. Align nail holes with the drywall anchors in the wall, and drill the top screws first. Then drill the bottom screws to secure the divider to the wall. Close the button caps on the screws for a polished look.

