

CLEAR
DESIGN

PET WING PANEL

BLADE Workstation Installation Instructions

Instructions in English and en Español

BLADE WING PANELS

This product can be used in several ways, with a variety of BLADE workstation configurations. This guide features the wing panels being used with a BLADE Facing Pod of 4.

Note: This panel can only be used with the BLADE intermediate leg BLINT45.

PARTS LIST

QTY	PRODUCT CODE
2	BLADE Wing Panel
2	PWBH - PET Panel Hinge Bracket

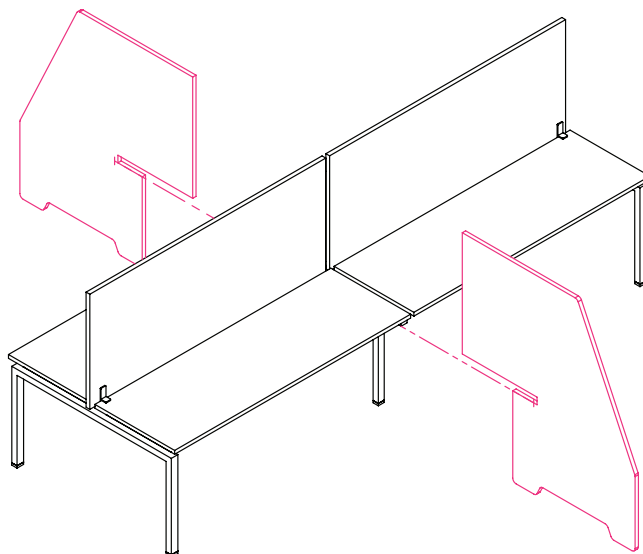
1 | PLACE PANELS BETWEEN WORKSTATIONS

Slide panels into 1" gap between BLADE worksurfaces. Make sure the inside edge of the panel is flush with intermediate leg.

Note: If there is not a 1" gap between your workstations, a **Universal Wing Panel** is needed.

Deslice los paneles en un espacio de 1" entre las superficies de trabajo BLADE. Asegúrese de que el borde interior del panel esté al ras con la pata intermedia.

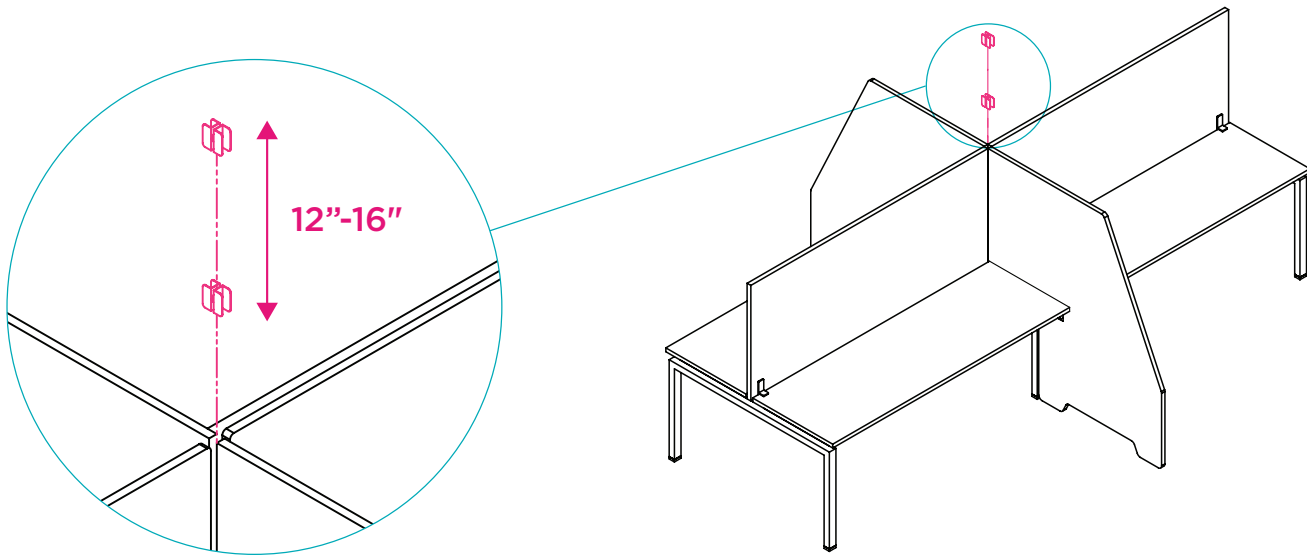
Nota: Si no hay un espacio de 1" entre sus estaciones de trabajo, se necesita un panel de ala universal.



2 | SECURE PANELS TOGETHER

Drop the hinge bracket between the two panels and space them **12"-16"** apart to provide extra rigidity and keep panels in place.

Deje caer el soporte entre los dos paneles y colóquelos a una distancia de 12 "-16" para proporcionar mayor rigidez y mantener los paneles en su lugar.



3 | FINISHED

