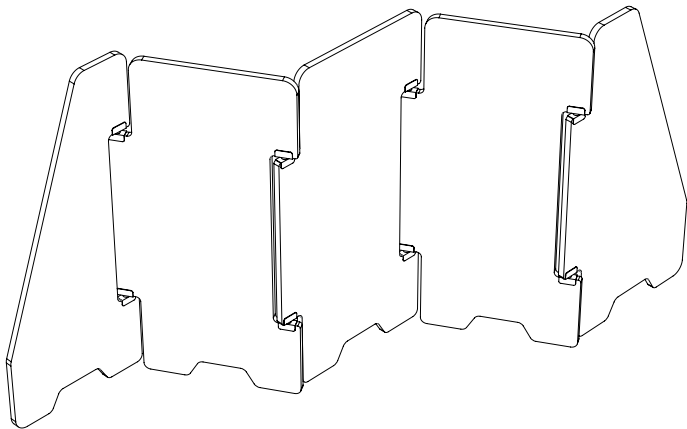


CLEAR
DESIGN



PET ROOM DIVIDER

Install instructions for 54", 78", and
Combination Room Divider Panels

*General Guide | See Master Plan

All of our room divider systems follow the same installation steps; find the parts list below for your system to see everything included for assembly.

Please note that your project may not include Panel Glide Feet, as these are optional.

PARTS LIST FOR COMBINATION SYSTEM

ITEM CODE	QTY	PRODUCT CODE	
KIT-PRDS.CPMF	2	Extension Panel	
KIT-PRDL.CPMF	2	Extension Panel	
KIT-PRDL.CPFF	1	Center Panel	
KIT-PRDAP	2	Transition Panel	
KIT-PRDS,SPM	2	End Panel-Tab	
PWBH	16	PET Panel Hinge Brackets	
PRDF	6	PET Panel Glide Foot *optional	

PARTS LIST FOR 54" SYSTEM

ITEM CODE	QTY	PRODUCT CODE	
KIT-PRDS.CPMF	3	Extension Panel	
KIT-PRDS.SPM	1	End Panel-Tab	
KIT-PRDS.SPF	1	End Panel - Notch	
PWBH	8	PET Panel Hinge Brackets	
PRDF	4	PET Panel Glide Foot *optional	

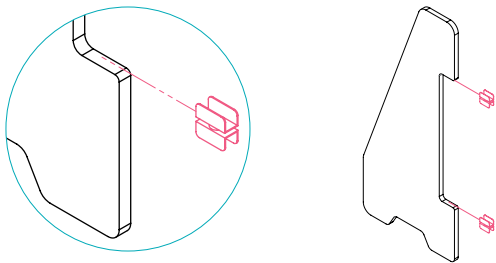
PARTS LIST FOR 78" SYSTEM

ITEM CODE	QTY	PRODUCT CODE	
KIT-PRDL.CPMF	3	Extension Panel	
KIT-PRDL.SP	1	End Panel-Tab	
KIT-PRDL.SPF	1	End Panel - Notch	
PWBH	8	PET Panel Hinge Brackets	
PRDF	4	PET Panel Glide Foot *optional	

1 | PREPARE END PANEL

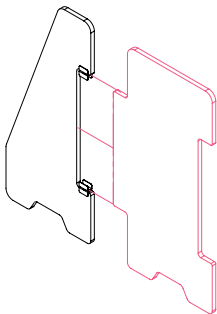
Place the bottom edge of the End Panel on the ground and slide the hinge brackets onto the top and bottom of the panel cut out (as shown below).

Note: Make sure the two hinges are vertically aligned.



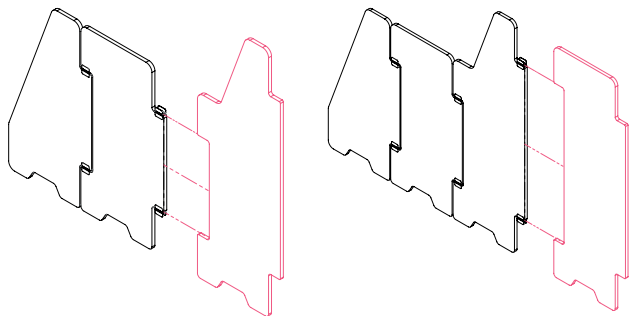
2 | CONNECT PANELS

Slide Extension Panel into the open hinge bracket leaving a small, uniform gap between the panels. Add hinge brackets to the other side to connect the next panel.



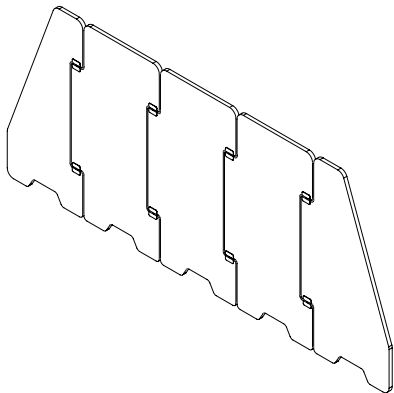
3 | TRANSITION PANEL INSTALL (OPTIONAL)

Note: If you are not building a Combination Room Divider, skip to step 4.



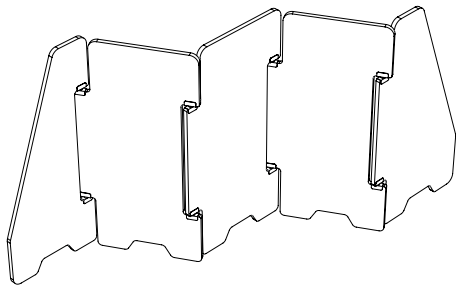
4 | REPEAT STEPS FOR ALL PANELS

Repeat steps 1 and 2 for all panels until they are connected.



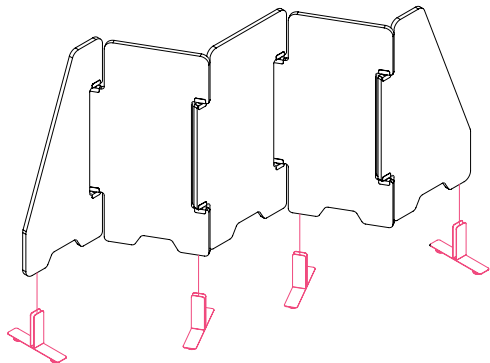
5 | FINAL STEP

Angle each panel to form a zig zag design that will allow the divider system to stand independently. Place anywhere in your you need space division.



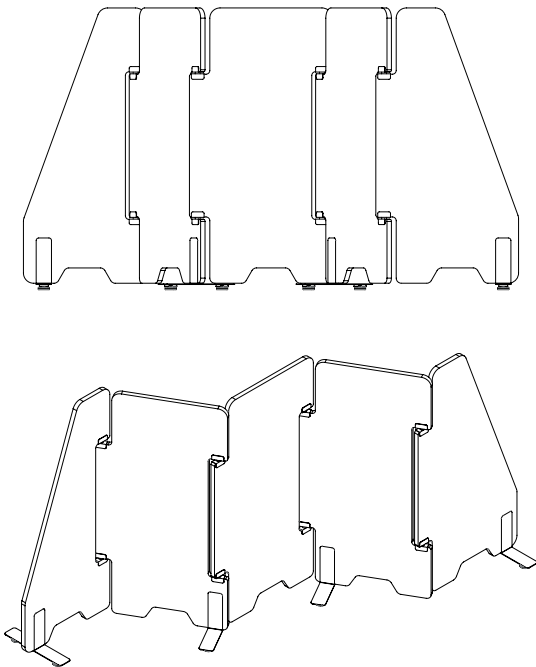
1 | OPTIONAL FEET INSTALLATION

Attach panel glide feet to the bottoms of the panels shown below to allow unit to stand in a straight line independently.



2 | OPTIONAL FINAL STEP

Place Room Divider anywhere you need space division.



Note: Feet installation is the same for all Room Dividers



CLEAR
DESIGN

Workspace made easy

210.648.2095 | mycleardesign.com

© 2021 Clear Design. All rights reserved.