

CLEAR
DESIGN

Tonos™

PET Privacy Screen + Bracket System



MADE WITH

50% RECYCLED MATERIAL

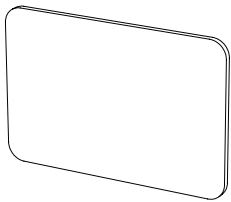


Shape Space.
Support Focus.

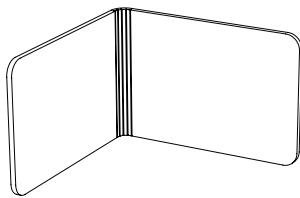
Designed for both focus and flexibility, our PET privacy screens bring acoustic comfort and refined design to open plan spaces. **Crafted from thick, sound-absorbing PET made with 50% recycled content**, Tonos™ offers multiple screen shapes, mounting options, and colorways, for seamless integration into any workstation environment.

Statement of Line

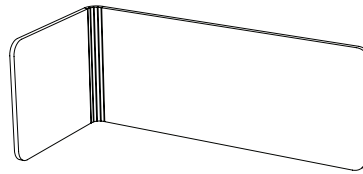
SCREENS



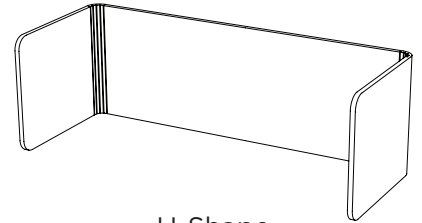
Linear



Half Desk



L-Shape

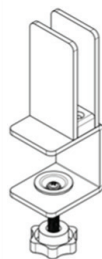


U-Shape

BRACKETS



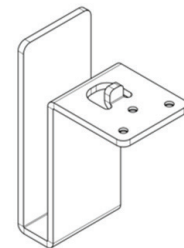
Surface Mount



Surface Mount
with Clamp



Clamp Mount
Allows for above and below
worksurface privacy

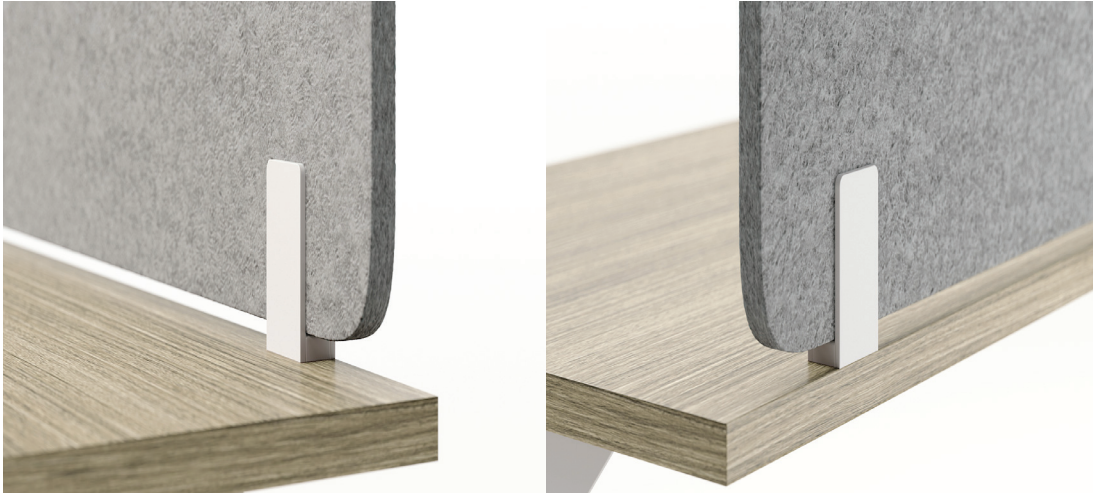


Undermount
Drills underside of worksur-
face, leaving top in tact

SPECIFICATIONS

Applications	Linear, Half Desk, L-Shape and U-Shape											
Bracket Compliance	BIFMA X5.6-2016											
Composition	100% Polyester (min. 50% recycled PET fiber)											
Density	3kg/m2											
Thickness	.7" / 18mm											
Environmental	Oeko-Tex Standard 100 certified, VOC free											
Mounting Options	Brackets											
Recyclability	100% Recyclable											
Sound Absorption	NRC Value .85											
Standard Heights	18", 23", 28"											
Standard Widths (Linear)	23", 29", 47", 59", 65", 71"											
Standard Widths (L-shape)	47", 59", 65", 71" 23" fixed return											
Standard Widths (Half Desk)	24", 30", 33", 36" Returns: 23" and 29"											
Standard Widths (U-shape) - Top Mount	<table border="1"> <thead> <tr> <th>Standard Width</th> <th>Return Size</th> </tr> </thead> <tbody> <tr> <td>47"</td> <td>23"</td> </tr> <tr> <td>59"</td> <td>18"</td> </tr> <tr> <td>65"</td> <td>14"</td> </tr> <tr> <td>71"</td> <td>12" (dual returns)</td> </tr> </tbody> </table>		Standard Width	Return Size	47"	23"	59"	18"	65"	14"	71"	12" (dual returns)
Standard Width	Return Size											
47"	23"											
59"	18"											
65"	14"											
71"	12" (dual returns)											
Standard Widths (U-shape) - Outer Wrapped	<table border="1"> <thead> <tr> <th>Standard Width</th> <th>Return Size</th> </tr> </thead> <tbody> <tr> <td>49"</td> <td>22"</td> </tr> <tr> <td>61"</td> <td>17"</td> </tr> <tr> <td>67"</td> <td>13"</td> </tr> <tr> <td>73"</td> <td>11" (dual returns)</td> </tr> </tbody> </table>		Standard Width	Return Size	49"	22"	61"	17"	67"	13"	73"	11" (dual returns)
Standard Width	Return Size											
49"	22"											
61"	17"											
67"	13"											
73"	11" (dual returns)											

SURFACE MOUNT

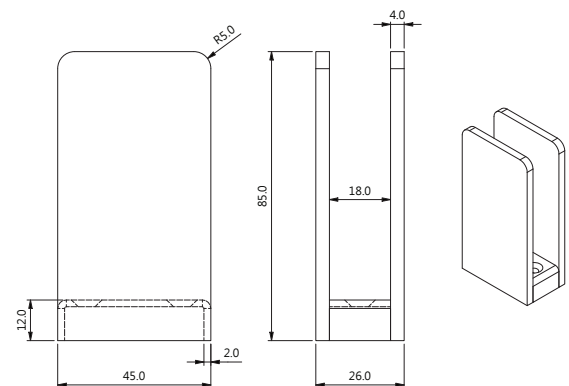


FEATURES

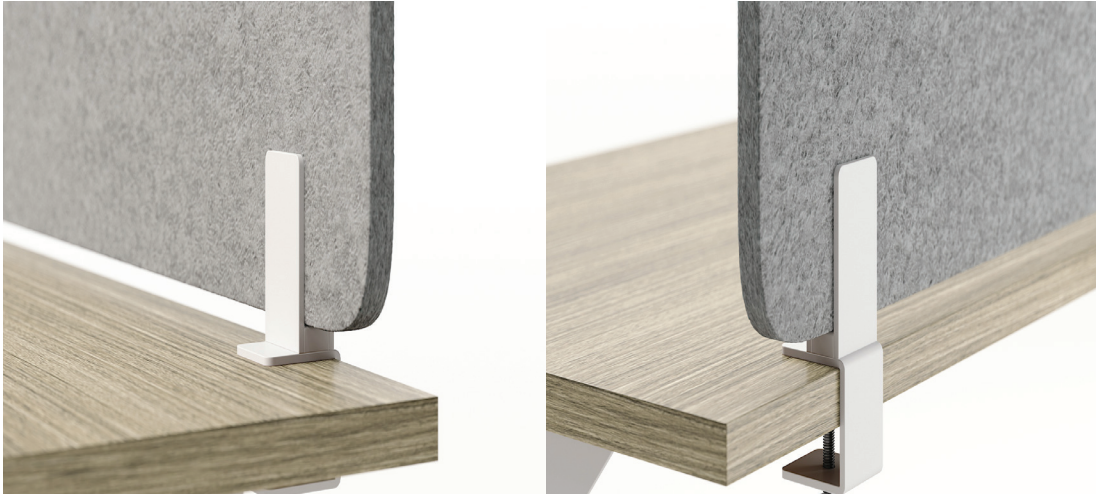
- Mounts directly onto 3 sides of worksurface regardless of cantilever positioning.
- Offers complete visual privacy above the worksurface.
- Leaves a 20mm gap under the screen to run wiring to top of worksurface.
- Optional clamp attachment avoids mounting into worksurface, preserving its integrity (requires >1.875" clearance from the cantilever).
- Optional corner connector joins linear back and side screens for added structure and complete visual privacy.
- Clamp accommodates .75" - 1.75" thick worksurfaces.

APPLICATIONS

- For users that desire complete visual privacy on all sides of the worksurface at an accessible price point.
- For facility managers that prioritize uniformity across a floor plan and control of individual workstations.
- Clamp attachment allows for easy installation without damaging worksurfaces.



SURFACE MOUNT WITH CLAMP



FEATURES

Mounts directly onto 3 sides of worksurface regardless of cantilever positioning.

Offers complete visual privacy above the worksurface.

Leaves a 20mm gap under the screen to run wiring to top of worksurface.

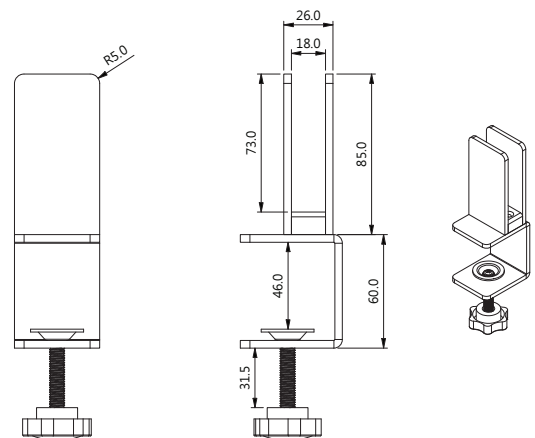
Optional corner connector joins linear back and side screens for added structure and complete visual privacy.

Clamp accommodates .75" - 1.75" thick worksurfaces.

APPLICATIONS

For users that desire complete visual privacy on all sides of the worksurface at an accessible price point.

For facility managers that prioritize uniformity across a floor plan and control of individual workstations.



CLAMP MOUNT



FEATURES

Allows the user to choose the level of privacy both above and below the worksurface at a fixed position.

Bracket can be position anywhere from 3"-7" from the top or bottom of the Tonos Screen, providing 15"-19" of privacy or modesty on a 23" screen.

Brackets are not visible from the exterior/aisle side of the workstation.

Can be used to mount screens on the side of a 30" deep worksurface or on a 24" deep worksurface if clearance from the cantilever >1.5".

Leaves 1" gap between the screen and the worksurface for wiring, monitor arms, power outlets, etc.

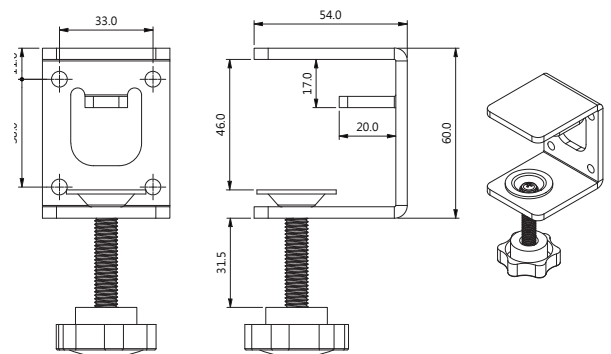
Mounting clamp accomodates .5" - 1.7" thick worksurfaces.

APPLICATIONS

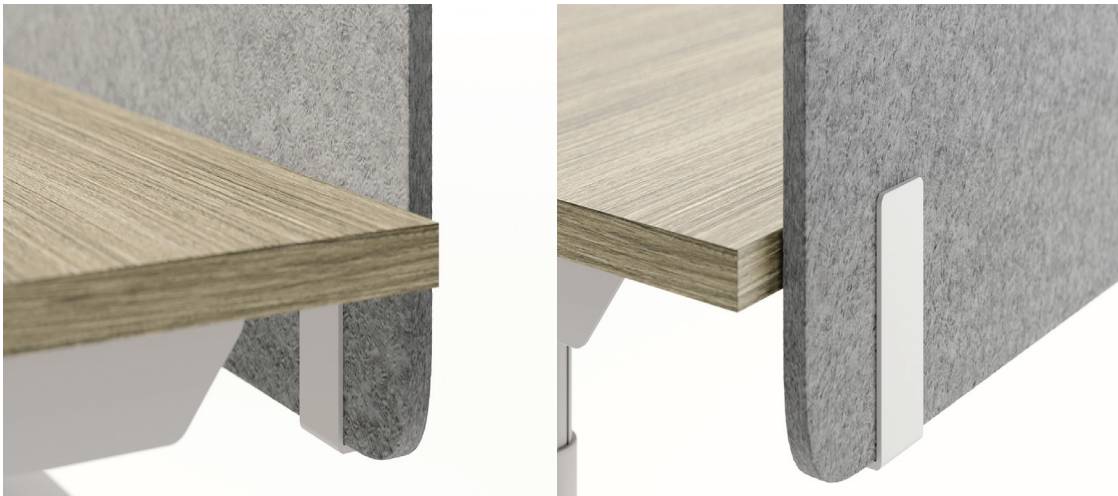
For users with varying degrees of privacy needs, both above and below the worksurface.

For facility managers who want to customize the level of privacy and modesty provided at each individual workstation.

An aesthetic preference for no visible brackets in the exterior.



UNDERMOUNT



FEATURES

Underside mounting allows the screens to slip in for easy installation and maintenance.

Creates visual privacy above the worksurface with just enough modesty below the worksurface to hide unsightly cords and cables.

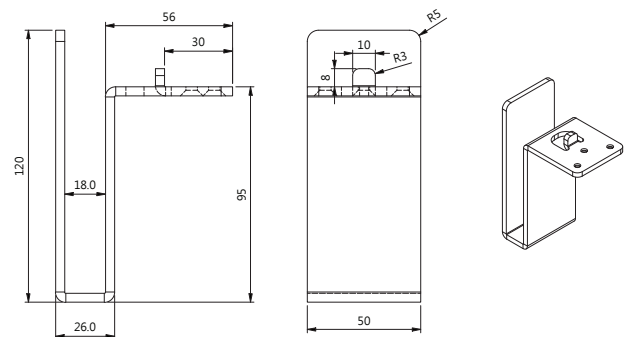
Can be used to mount screens on the side of a 30" deep worksurface or on a 24" deep worksurface if clearance from the cantilever >1.625".

Leaves 3/4" gap between the screen and the worksurface for wiring, monitor arms, power outlets, etc.

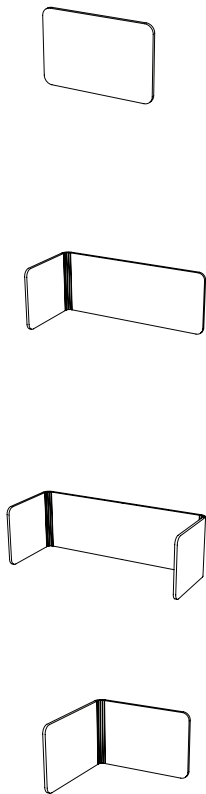
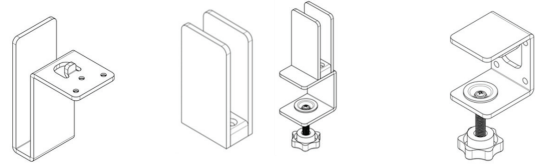
APPLICATIONS

A simple and cost-effective solution for privacy screens

When a uniform aesthetic across a floor plan is desired



BRACKET-SCREEN STYLE COMPATIBILITY



		Slip Mount	Surface Mount with/wo Clamp	Clamp Mount
Linear		●	●	●
L-Shape		●	●	●
U-Shape (top mounted)		●	●	●
U-Shape (edge mounted)		●	●	●
Half Desk		●	●	●



Installation Times

10 minutes per workstation, including brackets.

Certifications

Oeko-Tex Standard 100
BIFMA X5.6-2016

Care & Maintenance

Wipe with a damp cloth using water or gentle, nonabrasive cleaner. For guaranteed safety, patch test with diluted cleaner before wiping entire surface. Wipe dry with a clean cloth.

Warranty

Lifetime

TONOS™ PRIVACY SCREEN SYSTEM



Materials and Finishes

BRACKETS



Black

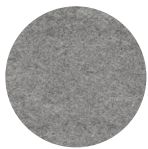


Silver

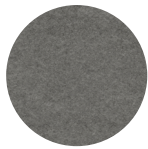


White

PET SCREENS



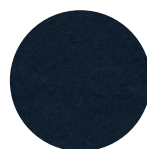
Luna



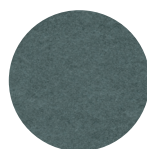
Alloy



Carbon



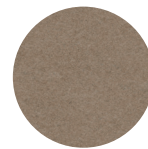
Twilight



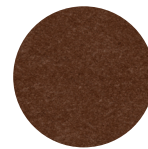
Harbor



Linen



Shale



Canyon

Available Winter 2026

