



**5-DAY LEAD TIME**

**CLEAR**  
DESIGN

**STORAGE**

Steel + Laminate Solutions



# STORAGE

*steel + laminate solutions*



## **STORAGE**

### Steel + Laminate Solutions

Steel Storage .....	4
Laminate Storage .....	8
Specs + Accessories.....	12
FAST Finishes.....	14



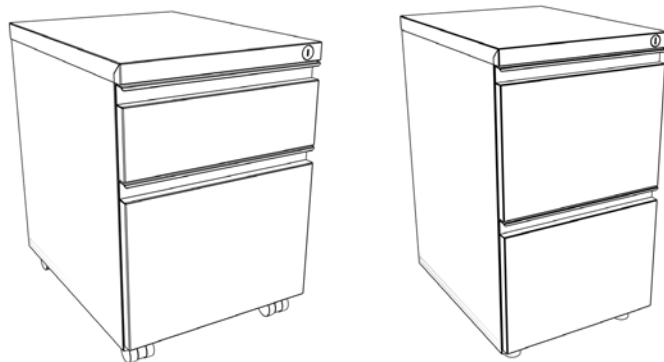
Shown in Black steel with Linen seat cushions

## MOBILE BOX/FILE AND FILE-FILE PEDESTALS

- Locking drawers and casters (BF)
- Casters installed on BF
- Ball-bearing slides on FF, with casters available
- 200 lb weight capacity
- 15 lb counterweights
- Letter and legal filing
- Optional cushion tops

BF: 15" W x 20" D x 20" H

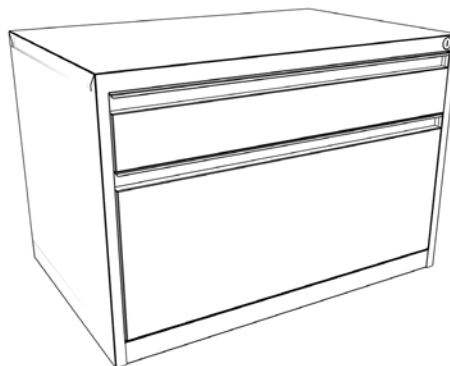
FF: 15" W x 20" D x 25" H



## BOX/FILE LATERAL

- Locking drawers
- Ball-bearing slides
- Letter and legal filing
- Counterweighted
- 200 lb weight capacity
- Optional cushion tops

30" W x 20" D x 20" H

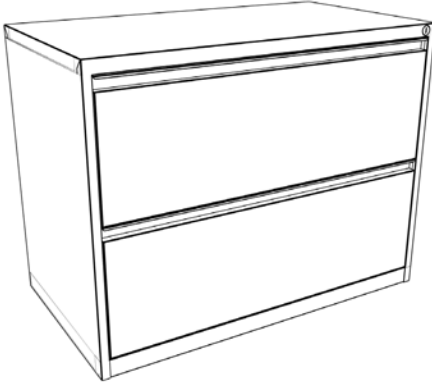




## STEEL STORAGE

### FILE/FILE LATERAL

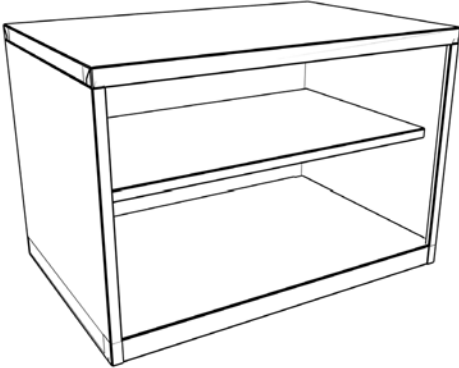
- Locking drawers
- Ball-bearing slides
- Counterweighted
- Adjustable leveling glides
- Letter and legal filing
- 200 lb weight capacity
- Optional Laminate Topper



36" W x 20" D x 27" H

### BOOKCASE

- Locking drawer
- Ball-bearing slides
- Adjustable Storage shelf
- Optional cushion tops



30" W x 20" D x 20" H



Shown in White with Luna cushion tops

Our updated Stohr collection is crafted from durable metal and comes in five versatile styles to suit any workspace. Add optional cushion or laminate toppers for additional seating or just pops of color. Find a storage solution that keeps you looking good while staying organized.



Silver BF Laterals with Harbor cushions



Silver FF Laterals with Shadow Elm Laminate tops



**STEEL STORAGE**



BF Lateral in Silver with Fern cushion top



Black BF mobile pedestal



Silver FF Pedestal



Black BF Lateral



White FF Lateral with Laminate topper in Shadow Elm



White FF Pedestal and BF Lateral with Canyon cushions

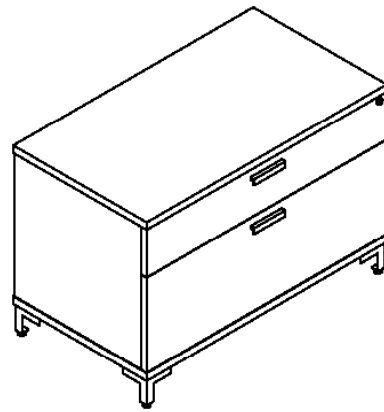


Shown in Sahara Ridge laminate and White steel

## LOW BOX/FILE LATERAL

- Locking drawers with matte silver pulls
- Levelers for uneven floors
- Combinable
- Surface supporting
- Letter and legal filing
- Ships fully assembled
- Additional feet colors available

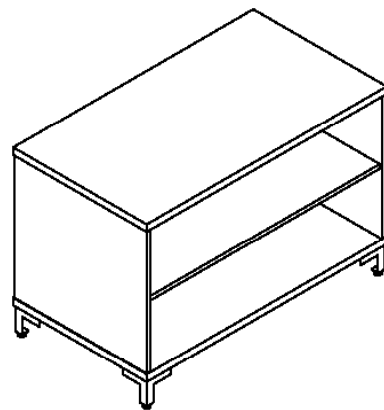
W 36" D 20" H 24"



## LOW OPEN-SHELF LATERAL

- Fixed-height shelf
- Levelers for uneven floors
- Combinable
- Surface supporting
- Ships knocked down
- Additional feet colors available

W 36" D 20" H 24"



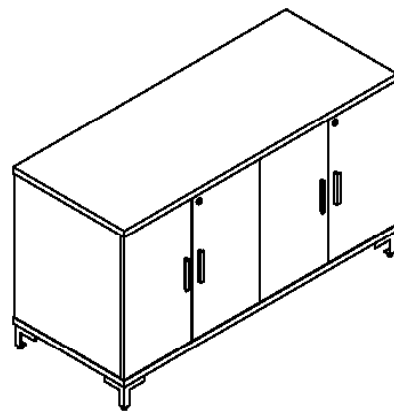


LAMINATE STORAGE

## CONFERENCE CREDENZA

- Locking doors with matte silver pulls
- Fixed-height interior shelf
- Levelers for uneven floors
- Multiple widths
- Ships knocked down
- Additional feet colors available

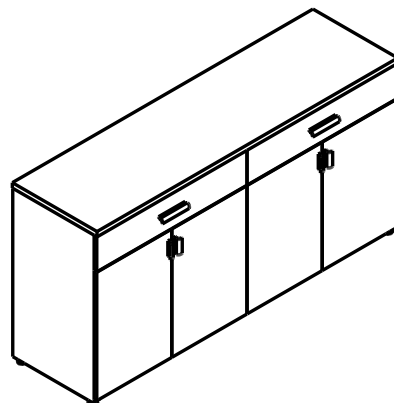
W 49.13"/61.5" D 20" H 28.35"



## BUFFET CREDENZA

- Buffet height
- Full-extension drawers
- Matte silver door and drawer pulls
- Fixed-height interior shelf
- Levelers for uneven floors
- Ships fully assembled
- Additional pull colors available

W 71" D 20" H 36"



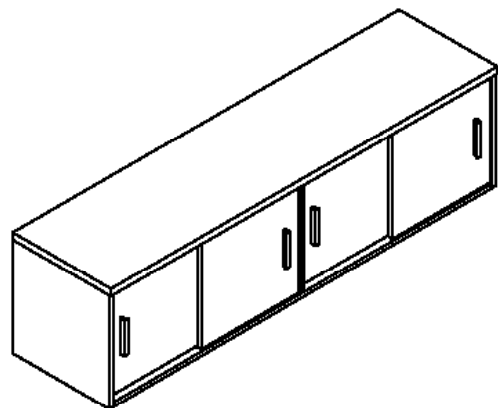


Shown in Shadow Elm laminate and Black steel

## SLIDING-DOOR HUTCH

- Sliding doors
- Matte silver door pulls
- Wall mountable (hardware included)
- Multiple widths
- Optional desk-mount stand kit

W 59"/71" D 15" H 16"



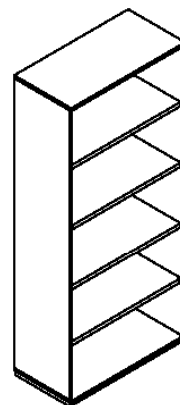


LAMINATE STORAGE

## BOOKCASE

- 3 Height-adjustable shelves
- 1 Fixed-height shelf
- Ships knocked down
- Optional locking doors with matte silver pulls

W 31.5" D 15.75" H 72"



**MATERIAL**

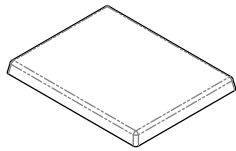
**Steel** Min. 95% Recycled  
**Paint** Powder Coating  
**Laminate** Thermo-Fused Melamine

**LEAD TIME**

FAST Program

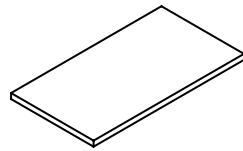
**ACCESSORIES**

**Steel Storage**



**Cushion Top**  
**W 10"/15"/36" D 19"/19.5" H 1.5"**

- Allows temporary seating
- Rounded or square corners
- Available in multiple colors
- For pedestals and low laterals



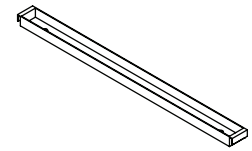
**Laminate Top**  
**W 35.5"/71" D 19.75" H 1"**

- Matches workstation surfaces
- Available in multiple finishes
- For laterals



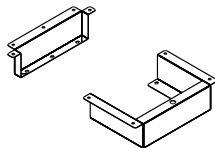
**Lateral Caster Kit**  
**W 2.75" D 2.5" H 3"**

- Adds mobility
- Sold in sets of 4
- For low laterals



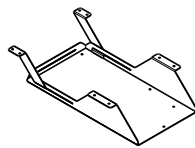
**File-Hanging Rail Kit**  
**W 1" D 15" H 0.5"**

- Allows files to hang from front to back
- Sold in sets of 2
- For laterals



**Surface-Mount Brackets**  
**W 12.38" D 20.25" H 3.13"**

- Allows slim pedestals to attach underneath surface
- For BLADE and BOOST workstations



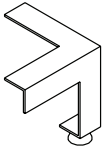
**Surface-Mount Bracket**  
**W 12.24" D 19.1"-21.25" H 4.38"**

- Allows slim pedestals to attach underneath surface
- For BOOST Pro workstations

---

## ACCESSORIES (CONTINUED)

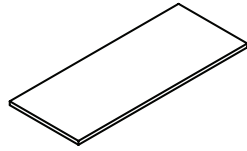
### Laminate Storage



#### Storage Foot Kit

W 3.62" D 3.62" H 3.82"

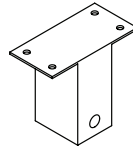
- Replaces standard Chrome feet
- Available in Black or White
- Sold in sets of 4



#### Laminate Top

W 36"/72" D 20" H 1"

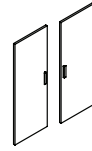
- Replaces standard tops
- Can be used to merge two individual laterals together
- Available in multiple finishes



#### Surface Stand Kit

W 3.94" D 1.97" H 3.35"

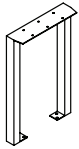
- Allows low laterals to support a workstation surface
- Sold in sets of 2



#### Bookcase Door Kit

W 15.75" D 0.75" H 42"

- Adds locking doors
- Sold in sets of 2



#### Hutch Stand Kit

W 15" D 3.88" H 24"

- Raises hutch above surface by 24"
- Sold in sets of 2



#### Buffet Credenza Pulls

W 3.16"/6.3" D 1.13" H 1"

- Replaces standard Matte Silver pulls
- Available in Black or White

# FAST FINISHES

SHIPS IN 5 DAYS. ULTRA-COMPETITIVE PRICING.

## LAMINATE Laminate Topper available on Steel FF Lateral style



Shadow Elm



White Oak



Sahara Ridge



Electric White

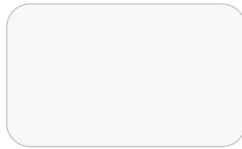
## STEEL/ALUMINUM



Black



Silver



White



Matte Silver\*  
Storage Pulls Only



Chrome†  
Storage Feet Only

Laminate Storage

## FABRIC Steel Storage Cushions



Carbon (CBN)



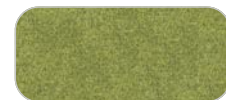
Alloy (ALY)



Luna (LUN)



Harbor (HRB)



Fern (FRN)



Linen (LIN)



Shale (SHL)



Canyon (CYN)



Terra (TER)

Fabric not available  
on FF Lateral

Fabric not available on Steel FF Lateral

\* Standard pull color is Matte Silver. Black and White pulls available for Buffet Credenza only.

† Standard foot color is Chrome. Black and White feet available for laminate storage only.



FF Lateral shown with Laminate Topper in White Oak

**STEEL STORAGE**



*workspace made easy.*



1-866-304-7197 | [inspire@mycleardesign.com](mailto:inspire@mycleardesign.com) | [mycleardesign.com](http://mycleardesign.com)

© 2023 Clear Design | Version 23.0.0