

CLEAR
DESIGN

Boost PRO

height adjustable benching



5-DAY LEAD TIME

**Work in
Motion.**

Boost height-adjustable benching empowers teams to take control of health and productivity through improved ergonomics and flexible planning. Designed for shared environments, these workstations are fast, smooth, and responsive—making the transition between sitting and standing effortless across the entire open plan.



White Oak Laminate | White Steel | Ventus Chair | Smoke Gray Acoustic PET Divider | Surface-Height End Panel | Personal Storage Drawer | Nexus Dual-Monitor Arm | Magnetic Cable Chain | Desktop Power Unit

BOOST PRO BENCHING

YOU'RE THE PRO. WE GIVE THE BOOST.

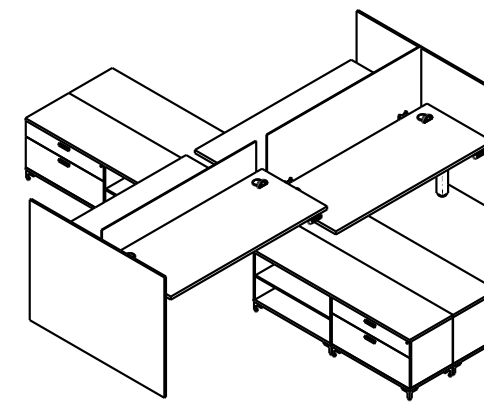
BOOST Pro is resizable, reconfigurable, and reliable.

FEATURES

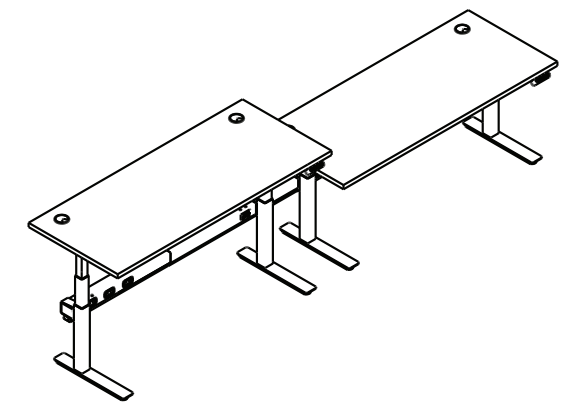
- 3-stage, height-adjustable frame with 22.5"-51" range (without surface)
- Digital handset with 4 programmable presets and USB charging port
- Integrated power, data, and wire management system
- Telescoping beams for resizable and reconfigurability

IDEA STARTERS

5-Day Lead Time



Facing Workstations
Pod of 4



Side-by-Side Workstations
Pod of 2



“Both my customer and I were impressed by and grateful for the extra level of attention Clear Design customer service provided on our recent order. Because of the extra effort, the freight arrived on time, undamaged, and the product was complete, with no punch list.”

— BONNIE J.

BOOST PRO BENCHING

Sahara Ridge Laminate | Black Steel | Ventus Chair | Dry-Erase Frosted Glass Divider | Modesty Panel | End Panel | Nexus Dual-Monitor Arm | Desktop Power Unit

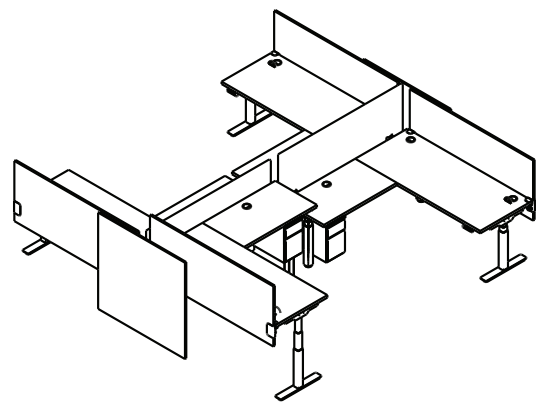


White Oak Laminate | White Steel | Razor Chair | Dry-Erase Frosted Glass Divider | Modesty Panel | End Panel | Mobile Box/Box/File Pedestal | Magnetic Cable Chain | Desktop Power Unit

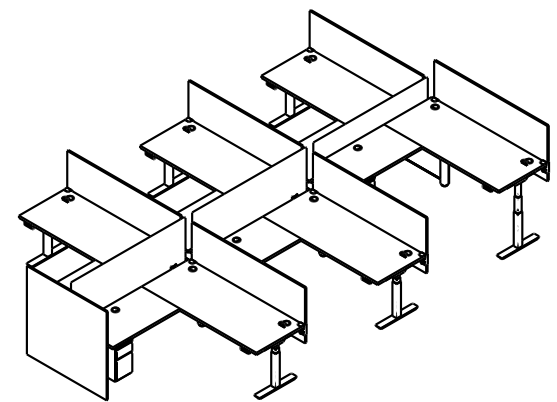
BOOST PRO L-SHAPE BENCHING

**MORE SPACE
FOR EVEN
BIGGER IDEAS.**

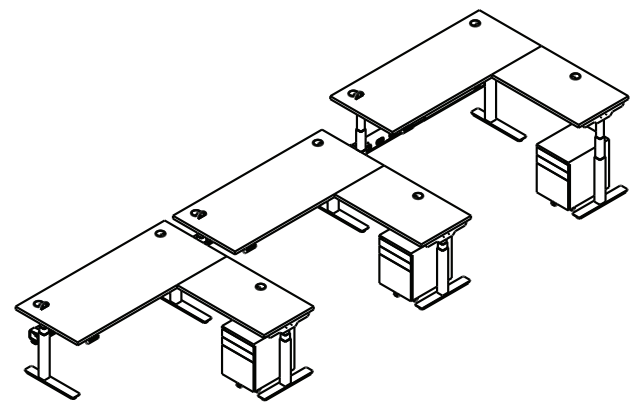
IDEA STARTERS



Facing L-Shape Workstations
Pod of 4



Facing L-Shape Workstations
Pod of 6



Side-by-Side L-Shape Workstations
Pod of 3

5-Day Lead Time



“Clear Design always provides the best service possible when an order is being processed, questioned, or acknowledged. They’re always ready to assist with our needs and are very professional.”

— VIRGINIA F.

BOOST PRO L-SHAPE BENCHING

Sahara Ridge and Electric White Laminate | White Steel | Razor Chair | FX Gunmetal and Dusk Tackable Fabric Divider | Divider-Height End Panel | Surface-Mount Box/File Slim Pedestal | Magnetic Cable Chain | Desktop Power Unit

FAST PROGRAM

SHIPS IN 5 DAYS. ULTRA-COMPETITIVE PRICING.

LAMINATE



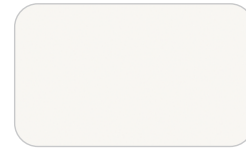
Shadow Elm



White Oak



Sahara Ridge



Electric White

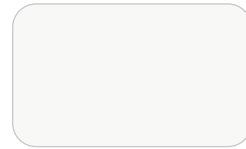
STEEL



Black



Silver



White



Sahara Ridge Laminate | Black Steel | Ventus Chair | Dry-Erase Frosted Glass Divider | Modesty Panel | End Panel | Nexus Dual-Monitor Arm | Magnetic Cable Chain | Desktop Power Unit

FX PROGRAM: A vast selection of additional laminate finishes, shapes, and sizes are available on a 20-business-day lead time.

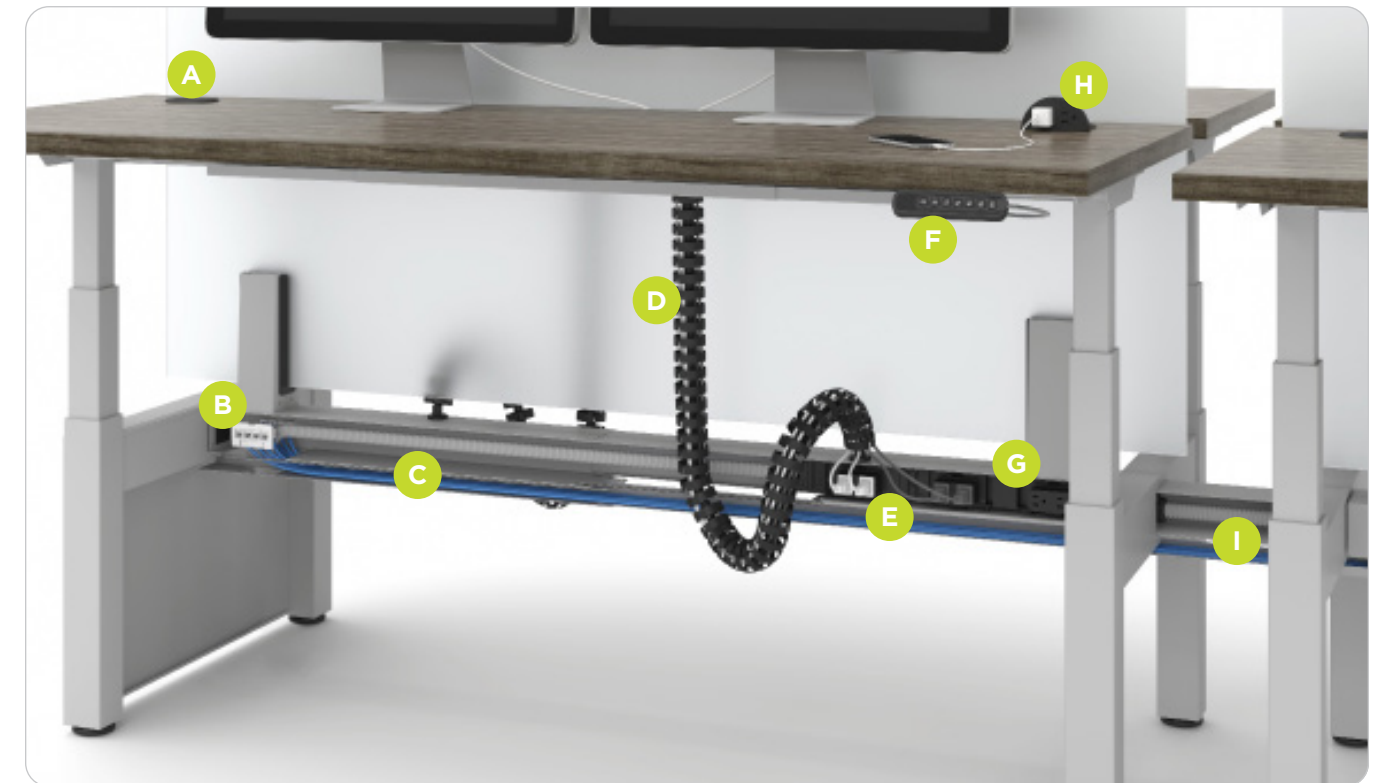
BOOST PRO SPECIFICATIONS

Frame Type	3-Stage
Frame Height Range	22.5"-51" (without Surface)
Frame Width Range	46.75"-66" (without Surface)
Frame Weight Capacity	3-Leg: 280 lbs 2-Leg: 220 lbs
Power	66"-72" Workstations: 3 Receptacles (6 Outlets) Each 48" Workstations: 2 Receptacles (4 Outlets) Each All Workstations: 20-Amp 4-Pole Quad Circuit
Input	100-240VAC 450W (4.5A)
Output	33DCV 16.5W (0.5A)
Duty Cycle	10% (2 Mins On, 18 Mins Off)
Data Tray	Holds up to 25 Cables
Digital Handset	4 Programmable Presets & USB-A Charging Port
Power Cord	77"



BOOST PRO INTEGRATED POWER SYSTEM

BOOST Pro's integrated power, data, and cable management system provides a clean look in a streamlined package—even for power users. Fewer parts make installation and power deployment more efficient and simpler than ever.



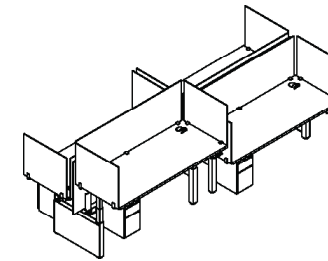
- A Grommet**
Helps organize desktop wires. Cap opening adjusts to 3 sizes. Snaps into surface's cutout.
- B Data Faceplate**
Provides 4 ports for snap-in voice and data connectors and adapters. Snaps into beam.
- C Power Beam + Data Tray**
Houses electrical components and prevents unsightly wires from hanging. Holds 25 cables.
- D Magnetic Cable Chain**
Manages wires from surface to beam's power receptacles.
- E Power Block**
Holds duplex receptacles.
- F Digital Handset**
Provides 4 programmable presets and convenient USB-A charging port.
- G Duplex Receptacle**
Contains 2 outlets each. Dedicated duplexes available for sensor-activated applications.
- H Desktop Power Unit**
Brings 2 power outlets to the workstation's surface. Mounts to surface's edge or grommet.
- I Jumper**
Connects 2 harnesses.

SPECIFICATIONS

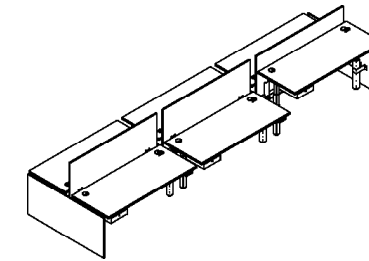
Surface Core	FAST: 1" Particle Board FX: 1.25" Particle Board
Surface Top Layer	FAST: Thermo-Fused Melamine FX: High-Pressure Laminate
Surface Underside Layer	FAST: Thermo-Fused Melamine FX: Phenolic Backer
Surface Edgeband	FAST: 3 mm PVC FX: 3 mm ABS
Surface Certification	FAST: FSC Mix, FSC Recycled, FSC Controlled Wood, TSCA Title VI & GREENGUARD FX: FSC Mix, FSC Controlled Wood, SCS Recycled Content & GREENGUARD Gold
Frame Material	95+% Recycled Steel
Frame Paint	Powder Coating
Frame Recyclability	100%
Steel Thickness	Frame: 16-Gauge Feet: 11-Gauge and 3-Gauge
Lead Time	FAST: 5 Business Days FX: 20 Business Days



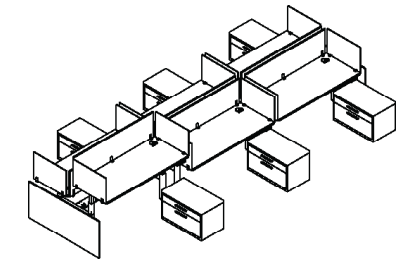
IDEA STARTERS



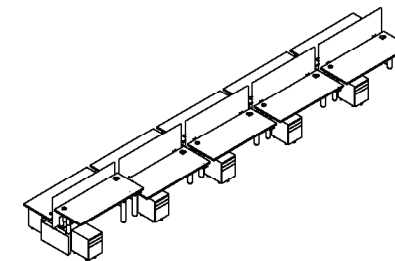
Facing Workstations
Pod of 4



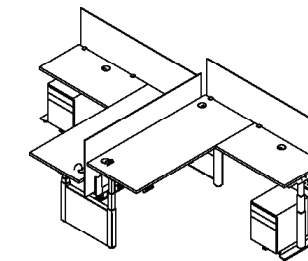
Facing Workstations
Pod of 6



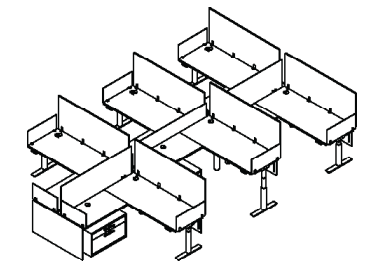
Facing Workstations
Pod of 6



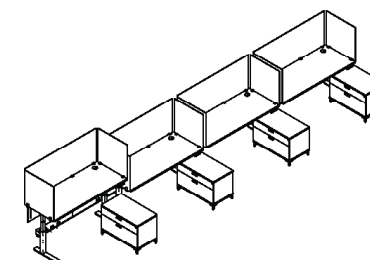
Facing Workstations
Pod of 10



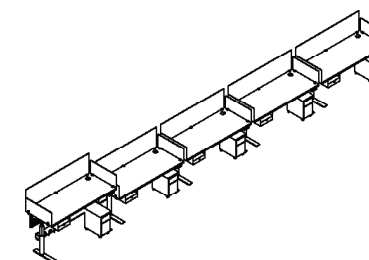
Facing L-Shape Workstations
Pod of 2



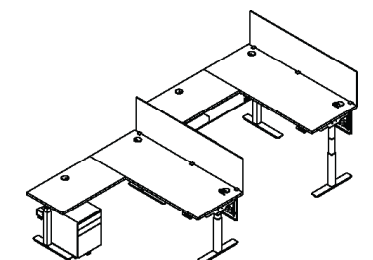
Facing L-Shape Workstations
Pod of 6



Side-by-Side Workstations
Pod of 4



Side-by-Side Workstations
Pod of 5



Side-by-Side L-Shape Workstations
Pod of 2

ADDITIONAL INFORMATION: For pricing and accessories, please refer to the Price List or Typical Guide.

A photograph of an office environment with people working at desks. A prominent teal vertical bar is on the right side of the image. The text 'CLEAR DESIGN' is overlaid on the teal bar.

CLEAR
DESIGN

Workspace made easy

