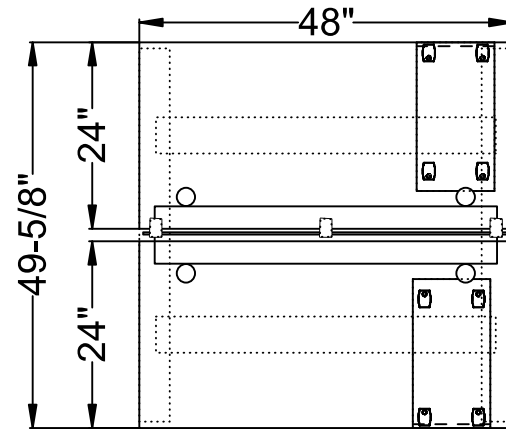
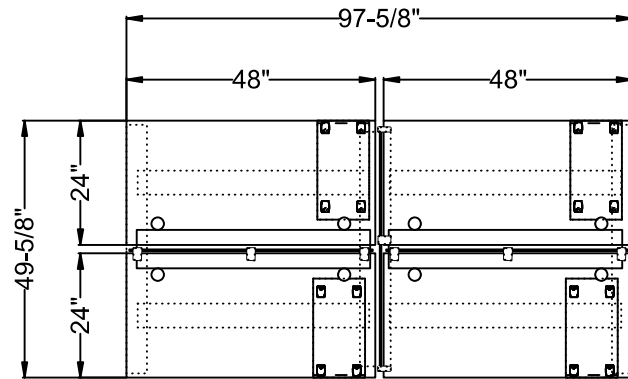


B24FB48-2



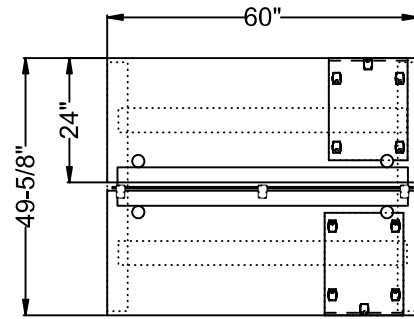
#	Quantity	Part Number	Description	List	Ext. List
Clear Design					
1	2	BFSLM	Steel Mobile Box/File Slim Pedestal	\$728.00	\$1,456.00
2	2	BL48	BLADE 48" End Leg [27.375" High]	\$416.00	\$832.00
3	2	BLPB2	BLADE Long Low Profile Beam	\$193.00	\$386.00
4	1	BMBGS47	47" Dry-Erase Frosted Glass Divider [20" High]	\$665.00	\$665.00
5	1	BNTEC	BLADE Narrow Cable Tray End Cap	\$77.00	\$77.00
6	1	BPDR_C1	Duplex Receptacle (Configuration 1) [2 Outlets]	\$30.00	\$30.00
7	1	BPDR_C2	Duplex Receptacle (Configuration 2) [2 Outlets]	\$30.00	\$30.00
8	1	BPDR_C3	Duplex Receptacle (Configuration 3) [2 Outlets]	\$30.00	\$30.00
9	1	BPDR_T24_C4	Duplex Receptacle (Configuration 4) [2 Outlets, Title 24 Compliant]	\$30.00	\$30.00
10	1	BPIF72	60" In-Feed	\$384.00	\$384.00
11	3	BSB9	Divider Bracket (Version 9) [Includes Shims]	\$54.00	\$162.00
12	2	GB2448	24"x48" Surface [1" Thick, Includes 2 Pre-Installed Grommets] - FAST	\$363.00	\$726.00
13	2	GS1910	19"x10" Slim Pedestal Cushion [Square Corners] - FAST	\$173.00	\$346.00
14	1	KIT-CTXNL	BLADE Narrow Leg-Mount Cable Tray [Includes Risers & Faceplates]	\$282.00	\$282.00
15	1	KIT-HARNESS-4BLADE	18" Harness [Requires 4 Duplex Receptacles, 8 Outlets]	\$447.00	\$447.00
				Total Clear Design \$5,883.00	

B24FB48-4



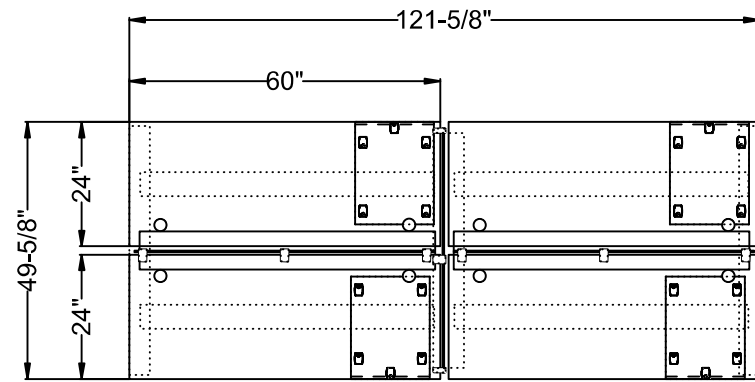
#	Quantity	Part Number	Description	List	Ext. List
Clear Design					
1	4	BFSLM	Steel Mobile Box/File Slim Pedestal	\$728.00	\$2,912.00
2	2	BL48	BLADE 48" End Leg [27.375" High]	\$416.00	\$832.00
3	1	BL48INT	BLADE 48" Intermediate Leg [27.375" High, Expands to 60" Wide]	\$604.00	\$604.00
4	4	BLPB2	BLADE Long Low Profile Beam	\$193.00	\$772.00
5	3	BMBGS47	47" Dry-Erase Frosted Glass Divider [20" High]	\$665.00	\$1,995.00
6	1	BNTEC	BLADE Narrow Cable Tray End Cap	\$77.00	\$77.00
7	2	BPDR_C1	Duplex Receptacle (Configuration 1) [2 Outlets]	\$30.00	\$60.00
8	2	BPDR_C2	Duplex Receptacle (Configuration 2) [2 Outlets]	\$30.00	\$60.00
9	2	BPDR_C3	Duplex Receptacle (Configuration 3) [2 Outlets]	\$30.00	\$60.00
10	2	BPDR_T24_C4	Duplex Receptacle (Configuration 4) [2 Outlets, Title 24 Compliant]	\$30.00	\$60.00
11	1	BPIF72	60" In-Feed	\$384.00	\$384.00
12	1	BPJ29	29" Jumper	\$259.00	\$259.00
13	7	BSB9	Divider Bracket (Version 9) [Includes Shims]	\$54.00	\$378.00
14	2	BSLM9	Slim Divider Bracket (Version 9) [Includes Shims]	\$54.00	\$108.00
15	4	GB2448	24"x48" Surface [1" Thick, Includes 2 Pre-Installed Grommets] - FAST	\$363.00	\$1,452.00
16	4	GS1910	19"x10" Slim Pedestal Cushion [Square Corners] - FAST	\$173.00	\$692.00
17	2	KIT-CTXNL	BLADE Narrow Leg-Mount Cable Tray [Includes Risers & Faceplates]	\$282.00	\$564.00
18	2	KIT-HARNESS-4BLADE	18" Harness [Requires 4 Duplex Receptacles, 8 Outlets]	\$447.00	\$894.00
				Total Clear Design	\$12,163.00

B24FB60-2



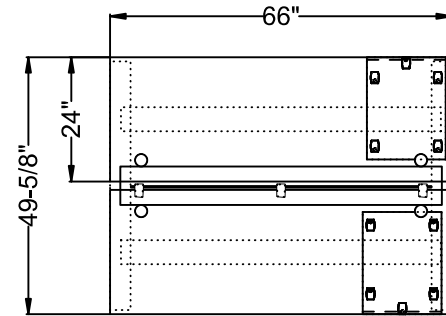
#	Quantity	Part Number	Description	List	Ext. List
Clear Design					
1	2	BL48	BLADE 48" End Leg [27.375" High]	\$416.00	\$832.00
2	2	BLPB2	BLADE Long Low Profile Beam	\$193.00	\$386.00
3	1	BMBGS58	58" Dry-Erase Frosted Glass Divider [20" High]	\$791.00	\$791.00
4	1	BNTEC	BLADE Narrow Cable Tray End Cap	\$77.00	\$77.00
5	1	BPDR_C1	Duplex Receptacle (Configuration 1) [2 Outlets]	\$30.00	\$30.00
6	1	BPDR_C2	Duplex Receptacle (Configuration 2) [2 Outlets]	\$30.00	\$30.00
7	1	BPDR_C3	Duplex Receptacle (Configuration 3) [2 Outlets]	\$30.00	\$30.00
8	1	BPDR_T24_C4	Duplex Receptacle (Configuration 4) [2 Outlets, Title 24 Compliant]	\$30.00	\$30.00
9	1	BPIF72	60" In-Feed	\$384.00	\$384.00
10	3	BSB9	Divider Bracket (Version 9) [Includes Shims]	\$54.00	\$162.00
11	2	BSBBF	Steel Mobile Box/Box/File Pedestal [22" High]	\$781.00	\$1,562.00
12	2	GB2460	24"x60" Surface [1" Thick, Includes 2 Pre-Installed Grommets] - FAST	\$450.00	\$900.00
13	2	GS1915	19"x15" Pedestal Cushion [Square Corners] - FAST	\$201.00	\$402.00
14	1	KIT-CTXNL	BLADE Narrow Leg-Mount Cable Tray [Includes Risers & Faceplates]	\$282.00	\$282.00
15	1	KIT-HARNESS	BLADE 36" Harness [Requires 4 Duplex Receptacles, 8 Outlets]	\$447.00	\$447.00
				Total Clear Design	\$6,345.00

B24FB60-4

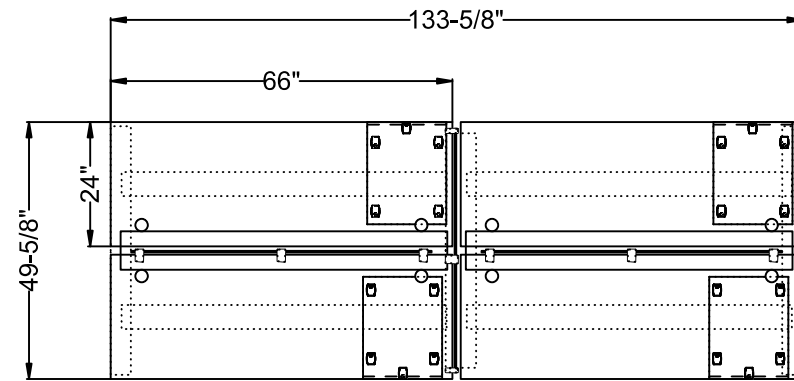


#	Quantity	Part Number	Description	List	Ext. List
Clear Design					
1	2	BL48	BLADE 48" End Leg [27.375" High]	\$416.00	\$832.00
2	1	BL48INT	BLADE 48" Intermediate Leg [27.375" High, Expands to 60" Wide]	\$604.00	\$604.00
3	4	BLPB2	BLADE Long Low Profile Beam	\$193.00	\$772.00
4	1	BMBGS47	47" Dry-Erase Frosted Glass Divider [20" High]	\$665.00	\$665.00
5	2	BMBGS58	58" Dry-Erase Frosted Glass Divider [20" High]	\$791.00	\$1,582.00
6	1	BNTEC	BLADE Narrow Cable Tray End Cap	\$77.00	\$77.00
7	2	BPDR_C1	Duplex Receptacle (Configuration 1) [2 Outlets]	\$30.00	\$60.00
8	2	BPDR_C2	Duplex Receptacle (Configuration 2) [2 Outlets]	\$30.00	\$60.00
9	2	BPDR_C3	Duplex Receptacle (Configuration 3) [2 Outlets]	\$30.00	\$60.00
10	2	BPDR_T24_C4	Duplex Receptacle (Configuration 4) [2 Outlets, Title 24 Compliant]	\$30.00	\$60.00
11	1	BPIF72	60" In-Feed	\$384.00	\$384.00
12	1	BPJ29	29" Jumper	\$259.00	\$259.00
13	7	BSB9	Divider Bracket (Version 9) [Includes Shims]	\$54.00	\$378.00
14	4	BSBBF	Steel Mobile Box/Box/File Pedestal [22" High]	\$781.00	\$3,124.00
15	2	BSLM9	Slim Divider Bracket (Version 9) [Includes Shims]	\$54.00	\$108.00
16	4	GB2460	24"x60" Surface [1" Thick, Includes 2 Pre-Installed Grommets] - FAST	\$450.00	\$1,800.00
17	4	GS1915	19"x15" Pedestal Cushion [Square Corners] - FAST	\$201.00	\$804.00
18	2	KIT-CTXNL	BLADE Narrow Leg-Mount Cable Tray [Includes Risers & Faceplates]	\$282.00	\$564.00
19	2	KIT-HARNESSBLADE	36" Harness [Requires 4 Duplex Receptacles, 8 Outlets]	\$447.00	\$894.00
				Total Clear Design	\$13,087.00

B24FB66-2

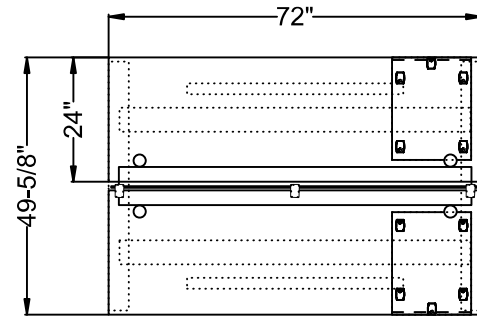


#	Quantity	Part Number	Description	List	Ext. List
Clear Design					
1	2	BL48	BLADE 48" End Leg [27.375" High]	\$416.00	\$832.00
2	2	BLPB2	BLADE Long Low Profile Beam	\$193.00	\$386.00
3	1	BMBGS58	58" Dry-Erase Frosted Glass Divider [20" High]	\$791.00	\$791.00
4	1	BNTEC	BLADE Narrow Cable Tray End Cap	\$77.00	\$77.00
5	1	BPDR_C1	Duplex Receptacle (Configuration 1) [2 Outlets]	\$30.00	\$30.00
6	1	BPDR_C2	Duplex Receptacle (Configuration 2) [2 Outlets]	\$30.00	\$30.00
7	1	BPDR_C3	Duplex Receptacle (Configuration 3) [2 Outlets]	\$30.00	\$30.00
8	1	BPDR_T24_C4	Duplex Receptacle (Configuration 4) [2 Outlets, Title 24 Compliant]	\$30.00	\$30.00
9	1	BPIF72	60" In-Feed	\$384.00	\$384.00
10	3	BSB9	Divider Bracket (Version 9) [Includes Shims]	\$54.00	\$162.00
11	2	BSBBF	Steel Mobile Box/Box/File Pedestal [22" High]	\$781.00	\$1,562.00
12	2	GB2466	24"x66" Surface [1" Thick, Includes 2 Pre-Installed Grommets] - FAST	\$494.00	\$988.00
13	2	GS1915	19"x15" Pedestal Cushion [Square Corners] - FAST	\$201.00	\$402.00
14	1	KIT-CTXNL	BLADE Narrow Leg-Mount Cable Tray [Includes Risers & Faceplates]	\$282.00	\$282.00
15	1	KIT-HARNESS	BLADE 36" Harness [Requires 4 Duplex Receptacles, 8 Outlets]	\$447.00	\$447.00
				Total Clear Design \$6,433.00	

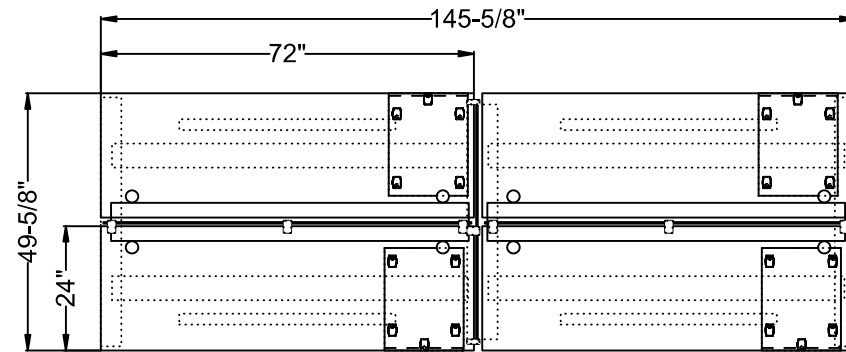


#	Quantity	Part Number	Description	List	Ext. List
Clear Design					
1	2	BL48	BLADE 48" End Leg [27.375" High]	\$416.00	\$832.00
2	1	BL48INT	BLADE 48" Intermediate Leg [27.375" High, Expands to 60" Wide]	\$604.00	\$604.00
3	4	BLPB2	BLADE Long Low Profile Beam	\$193.00	\$772.00
4	1	BMBGS47	47" Dry-Erase Frosted Glass Divider [20" High]	\$665.00	\$665.00
5	2	BMBGS58	58" Dry-Erase Frosted Glass Divider [20" High]	\$791.00	\$1,582.00
6	1	BNTEC	BLADE Narrow Cable Tray End Cap	\$77.00	\$77.00
7	2	BPDR_C1	Duplex Receptacle (Configuration 1) [2 Outlets]	\$30.00	\$60.00
8	2	BPDR_C2	Duplex Receptacle (Configuration 2) [2 Outlets]	\$30.00	\$60.00
9	2	BPDR_C3	Duplex Receptacle (Configuration 3) [2 Outlets]	\$30.00	\$60.00
10	2	BPDR_T24_C4	Duplex Receptacle (Configuration 4) [2 Outlets, Title 24 Compliant]	\$30.00	\$60.00
11	1	BPIF72	60" In-Feed	\$384.00	\$384.00
12	1	BPJ42	42" Jumper	\$259.00	\$259.00
13	7	BSB9	Divider Bracket (Version 9) [Includes Shims]	\$54.00	\$378.00
14	4	BSBBF	Steel Mobile Box/Box/File Pedestal [22" High]	\$781.00	\$3,124.00
15	2	BSLM9	Slim Divider Bracket (Version 9) [Includes Shims]	\$54.00	\$108.00
16	4	GB2466	24"x66" Surface [1" Thick, Includes 2 Pre-Installed Grommets] - FAST	\$494.00	\$1,976.00
17	4	GS1915	19"x15" Pedestal Cushion [Square Corners] - FAST	\$201.00	\$804.00
18	2	KIT-CTXNL	BLADE Narrow Leg-Mount Cable Tray [Includes Risers & Faceplates]	\$282.00	\$564.00
19	2	KIT-HARNESSBLADE	36" Harness [Requires 4 Duplex Receptacles, 8 Outlets]	\$447.00	\$894.00
				Total Clear Design	\$13,263.00

B24FB72-2

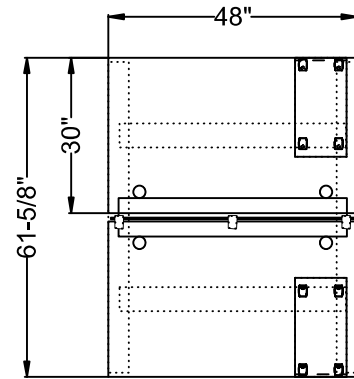


#	Quantity	Part Number	Description	List	Ext. List
Clear Design					
1	2	BASB72	42" Support Bar	\$173.00	\$346.00
2	2	BL48	BLADE 48" End Leg [27.375" High]	\$416.00	\$832.00
3	2	BLPB2	BLADE Long Low Profile Beam	\$193.00	\$386.00
4	1	BMBGS71	71" Dry-Erase Frosted Glass Divider [20" High]	\$953.00	\$953.00
5	1	BNTEC	BLADE Narrow Cable Tray End Cap	\$77.00	\$77.00
6	1	BPDR_C1	Duplex Receptacle (Configuration 1) [2 Outlets]	\$30.00	\$30.00
7	1	BPDR_C2	Duplex Receptacle (Configuration 2) [2 Outlets]	\$30.00	\$30.00
8	1	BPDR_C3	Duplex Receptacle (Configuration 3) [2 Outlets]	\$30.00	\$30.00
9	1	BPDR_T24_C4	Duplex Receptacle (Configuration 4) [2 Outlets, Title 24 Compliant]	\$30.00	\$30.00
10	1	BPIF72	60" In-Feed	\$384.00	\$384.00
11	3	BSB9	Divider Bracket (Version 9) [Includes Shims]	\$54.00	\$162.00
12	2	BSBBF	Steel Mobile Box/Box/File Pedestal [22" High]	\$781.00	\$1,562.00
13	2	GB2472	24"x72" Surface [1" Thick, Includes 2 Pre-Installed Grommets] - FAST	\$532.00	\$1,064.00
14	2	GS1915	19"x15" Pedestal Cushion [Square Corners] - FAST	\$201.00	\$402.00
15	1	KIT-CTXNL	BLADE Narrow Leg-Mount Cable Tray [Includes Risers & Faceplates]	\$282.00	\$282.00
16	1	KIT-HARNESSBLADE	36" Harness [Requires 4 Duplex Receptacles, 8 Outlets]	\$447.00	\$447.00
				Total Clear Design \$7,017.00	



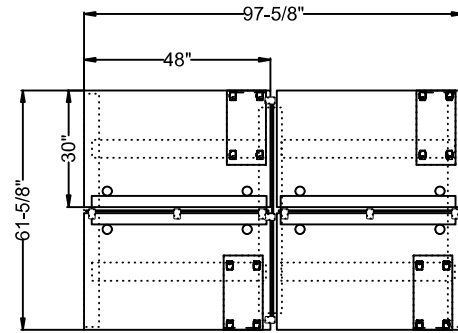
#	Quantity	Part Number	Description	List	Ext. List
Clear Design					
1	4	BASB72	42" Support Bar	\$173.00	\$692.00
2	2	BL48	BLADE 48" End Leg [27.375" High]	\$416.00	\$832.00
3	1	BL48INT	BLADE 48" Intermediate Leg [27.375" High, Expands to 60" Wide]	\$604.00	\$604.00
4	4	BLPB2	BLADE Long Low Profile Beam	\$193.00	\$772.00
5	1	BMBGS47	47" Dry-Erase Frosted Glass Divider [20" High]	\$665.00	\$665.00
6	2	BMBGS71	71" Dry-Erase Frosted Glass Divider [20" High]	\$953.00	\$1,906.00
7	1	BNTEC	BLADE Narrow Cable Tray End Cap	\$77.00	\$77.00
8	2	BPDR_C1	Duplex Receptacle (Configuration 1) [2 Outlets]	\$30.00	\$60.00
9	2	BPDR_C2	Duplex Receptacle (Configuration 2) [2 Outlets]	\$30.00	\$60.00
10	2	BPDR_C3	Duplex Receptacle (Configuration 3) [2 Outlets]	\$30.00	\$60.00
11	2	BPDR_T24_C4	Duplex Receptacle (Configuration 4) [2 Outlets, Title 24 Compliant]	\$30.00	\$60.00
12	1	BPIF72	60" In-Feed	\$384.00	\$384.00
13	1	BPJ42	42" Jumper	\$259.00	\$259.00
14	7	BSB9	Divider Bracket (Version 9) [Includes Shims]	\$54.00	\$378.00
15	4	BSBBF	Steel Mobile Box/Box/File Pedestal [22" High]	\$781.00	\$3,124.00
16	2	BSLM9	Slim Divider Bracket (Version 9) [Includes Shims]	\$54.00	\$108.00
17	4	GB2472	24"x72" Surface [1" Thick, Includes 2 Pre-Installed Grommets] - FAST	\$532.00	\$2,128.00
18	4	GS1915	19"x15" Pedestal Cushion [Square Corners] - FAST	\$201.00	\$804.00
19	2	KIT-CTXNL	BLADE Narrow Leg-Mount Cable Tray [Includes Risers & Faceplates]	\$282.00	\$564.00
20	2	KIT-HARNESS	BLADE 36" Harness [Requires 4 Duplex Receptacles, 8 Outlets]	\$447.00	\$894.00
				Total Clear Design \$14,431.00	

B30FB48-2



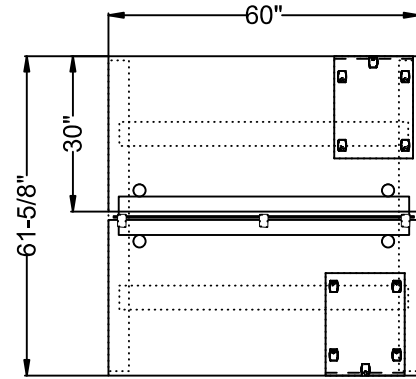
#	Quantity	Part Number	Description	List	Ext. List
Clear Design					
1	2	BFSLM	Steel Mobile Box/File Slim Pedestal	\$728.00	\$1,456.00
2	2	BL60	BLADE 60" End Leg [27.375" High]	\$469.00	\$938.00
3	2	BLPB2	BLADE Long Low Profile Beam	\$193.00	\$386.00
4	1	BMBGS47	47" Dry-Erase Frosted Glass Divider [20" High]	\$665.00	\$665.00
5	1	BNTEC	BLADE Narrow Cable Tray End Cap	\$77.00	\$77.00
6	1	BPDR_C1	Duplex Receptacle (Configuration 1) [2 Outlets]	\$30.00	\$30.00
7	1	BPDR_C2	Duplex Receptacle (Configuration 2) [2 Outlets]	\$30.00	\$30.00
8	1	BPDR_C3	Duplex Receptacle (Configuration 3) [2 Outlets]	\$30.00	\$30.00
9	1	BPDR_T24_C4	Duplex Receptacle (Configuration 4) [2 Outlets, Title 24 Compliant]	\$30.00	\$30.00
10	1	BPIF72	60" In-Feed	\$384.00	\$384.00
11	3	BSB9	Divider Bracket (Version 9) [Includes Shims]	\$54.00	\$162.00
12	2	GB3048	30"x48" Surface [1" Thick, Includes 2 Pre-Installed Grommets] - FAST	\$450.00	\$900.00
13	2	GS1910	19"x10" Slim Pedestal Cushion [Square Corners] - FAST	\$173.00	\$346.00
14	1	KIT-CTXNL	BLADE Narrow Leg-Mount Cable Tray [Includes Risers & Faceplates]	\$282.00	\$282.00
15	1	KIT-HARNESS-4	BLADE 18" Harness [Requires 4 Duplex Receptacles, 8 Outlets]	\$447.00	\$447.00
				Total Clear Design \$6,163.00	

B30FB48-4



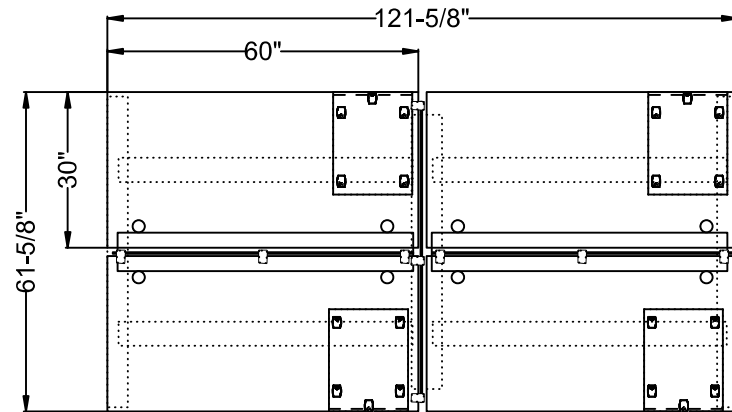
#	Quantity	Part Number	Description	List	Ext. List
Clear Design					
1	4	BFSLM	Steel Mobile Box/File Slim Pedestal	\$728.00	\$2,912.00
2	1	BL48INT	BLADE 48" Intermediate Leg [27.375" High, Expands to 60" Wide]	\$604.00	\$604.00
3	2	BL60	BLADE 60" End Leg [27.375" High]	\$469.00	\$938.00
4	4	BLPB2	BLADE Long Low Profile Beam	\$193.00	\$772.00
5	2	BMBGS47	47" Dry-Erase Frosted Glass Divider [20" High]	\$665.00	\$1,330.00
6	1	BMBGS58	58" Dry-Erase Frosted Glass Divider [20" High]	\$791.00	\$791.00
7	1	BNTEC	BLADE Narrow Cable Tray End Cap	\$77.00	\$77.00
8	2	BPDR_C1	Duplex Receptacle (Configuration 1) [2 Outlets]	\$30.00	\$60.00
9	2	BPDR_C2	Duplex Receptacle (Configuration 2) [2 Outlets]	\$30.00	\$60.00
10	2	BPDR_C3	Duplex Receptacle (Configuration 3) [2 Outlets]	\$30.00	\$60.00
11	2	BPDR_T24_C4	Duplex Receptacle (Configuration 4) [2 Outlets, Title 24 Compliant]	\$30.00	\$60.00
12	1	BPIF72	60" In-Feed	\$384.00	\$384.00
13	1	BPJ29	29" Jumper	\$259.00	\$259.00
14	9	BSB9	Divider Bracket (Version 9) [Includes Shims]	\$54.00	\$486.00
15	4	GB3048	30"x48" Surface [1" Thick, Includes 2 Pre-Installed Grommets] - FAST	\$450.00	\$1,800.00
16	4	GS1910	19"x10" Slim Pedestal Cushion [Square Corners] - FAST	\$173.00	\$692.00
17	2	KIT-CTXNL	BLADE Narrow Leg-Mount Cable Tray [Includes Risers & Faceplates]	\$282.00	\$564.00
18	2	KIT-HARNESS-4	BLADE 18" Harness [Requires 4 Duplex Receptacles, 8 Outlets]	\$447.00	\$894.00
				Total Clear Design	\$12,743.00

B30FB60-2



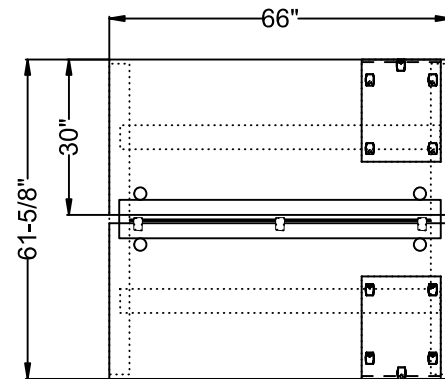
#	Quantity	Part Number	Description	List	Ext. List
Clear Design					
1	2	BL60	BLADE 60" End Leg [27.375" High]	\$469.00	\$938.00
2	2	BLPB2	BLADE Long Low Profile Beam	\$193.00	\$386.00
3	1	BMBGS58	58" Dry-Erase Frosted Glass Divider [20" High]	\$791.00	\$791.00
4	1	BNTEC	BLADE Narrow Cable Tray End Cap	\$77.00	\$77.00
5	1	BPDR_C1	Duplex Receptacle (Configuration 1) [2 Outlets]	\$30.00	\$30.00
6	1	BPDR_C2	Duplex Receptacle (Configuration 2) [2 Outlets]	\$30.00	\$30.00
7	1	BPDR_C3	Duplex Receptacle (Configuration 3) [2 Outlets]	\$30.00	\$30.00
8	1	BPDR_T24_C4	Duplex Receptacle (Configuration 4) [2 Outlets, Title 24 Compliant]	\$30.00	\$30.00
9	1	BPIF72	60" In-Feed	\$384.00	\$384.00
10	3	BSB9	Divider Bracket (Version 9) [Includes Shims]	\$54.00	\$162.00
11	2	BSBBF	Steel Mobile Box/Box/File Pedestal [22" High]	\$781.00	\$1,562.00
12	2	GB3060	30"x60" Surface [1" Thick, Includes 2 Pre-Installed Grommets] - FAST	\$575.00	\$1,150.00
13	2	GS1915	19"x15" Pedestal Cushion [Square Corners] - FAST	\$201.00	\$402.00
14	1	KIT-CTXNL	BLADE Narrow Leg-Mount Cable Tray [Includes Risers & Faceplates]	\$282.00	\$282.00
15	1	KIT-HARNESS	BLADE 36" Harness [Requires 4 Duplex Receptacles, 8 Outlets]	\$447.00	\$447.00
				Total Clear Design	\$6,701.00

B30FB60-4

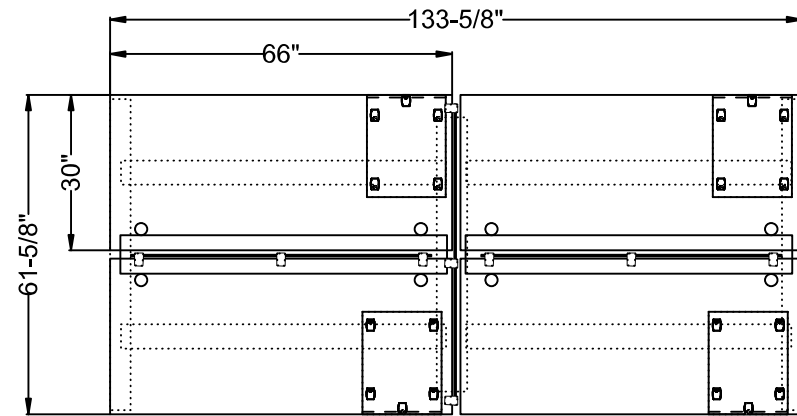


#	Quantity	Part Number	Description	List	Ext. List
Clear Design					
1	1	BL48INT	BLADE 48" Intermediate Leg [27.375" High, Expands to 60" Wide]	\$604.00	\$604.00
2	2	BL60	BLADE 60" End Leg [27.375" High]	\$469.00	\$938.00
3	4	BLPB2	BLADE Long Low Profile Beam	\$193.00	\$772.00
4	3	BMBGS58	58" Dry-Erase Frosted Glass Divider [20" High]	\$791.00	\$2,373.00
5	1	BNTEC	BLADE Narrow Cable Tray End Cap	\$77.00	\$77.00
6	2	BPDR_C1	Duplex Receptacle (Configuration 1) [2 Outlets]	\$30.00	\$60.00
7	2	BPDR_C2	Duplex Receptacle (Configuration 2) [2 Outlets]	\$30.00	\$60.00
8	2	BPDR_C3	Duplex Receptacle (Configuration 3) [2 Outlets]	\$30.00	\$60.00
9	2	BPDR_T24_C4	Duplex Receptacle (Configuration 4) [2 Outlets, Title 24 Compliant]	\$30.00	\$60.00
10	1	BPIF72	60" In-Feed	\$384.00	\$384.00
11	1	BPJ29	29" Jumper	\$259.00	\$259.00
12	9	BSB9	Divider Bracket (Version 9) [Includes Shims]	\$54.00	\$486.00
13	4	BSBBF	Steel Mobile Box/Box/File Pedestal [22" High]	\$781.00	\$3,124.00
14	4	GB3060	30"x60" Surface [1" Thick, Includes 2 Pre-Installed Grommets] - FAST	\$575.00	\$2,300.00
15	4	GS1915	19"x15" Pedestal Cushion [Square Corners] - FAST	\$201.00	\$804.00
16	2	KIT-CTXNL	BLADE Narrow Leg-Mount Cable Tray [Includes Risers & Faceplates]	\$282.00	\$564.00
17	2	KIT-HARNESS	BLADE 36" Harness [Requires 4 Duplex Receptacles, 8 Outlets]	\$447.00	\$894.00
				Total Clear Design	\$13,819.00

B30FB66-2

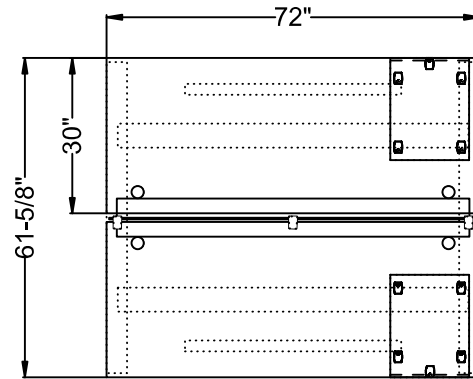


#	Quantity	Part Number	Description	List	Ext. List
Clear Design					
1	2	BL60	BLADE 60" End Leg [27.375" High]	\$469.00	\$938.00
2	2	BLPB2	BLADE Long Low Profile Beam	\$193.00	\$386.00
3	1	BMBGS58	58" Dry-Erase Frosted Glass Divider [20" High]	\$791.00	\$791.00
4	1	BNTEC	BLADE Narrow Cable Tray End Cap	\$77.00	\$77.00
5	1	BPDR_C1	Duplex Receptacle (Configuration 1) [2 Outlets]	\$30.00	\$30.00
6	1	BPDR_C2	Duplex Receptacle (Configuration 2) [2 Outlets]	\$30.00	\$30.00
7	1	BPDR_C3	Duplex Receptacle (Configuration 3) [2 Outlets]	\$30.00	\$30.00
8	1	BPDR_T24_C4	Duplex Receptacle (Configuration 4) [2 Outlets, Title 24 Compliant]	\$30.00	\$30.00
9	1	BPIF72	60" In-Feed	\$384.00	\$384.00
10	3	BSB9	Divider Bracket (Version 9) [Includes Shims]	\$54.00	\$162.00
11	2	BSBBF	Steel Mobile Box/Box/File Pedestal [22" High]	\$781.00	\$1,562.00
12	2	GB3066	30"x66" Surface [1" Thick, Includes 2 Pre-Installed Grommets] - FAST	\$632.00	\$1,264.00
13	2	GS1915	19"x15" Pedestal Cushion [Square Corners] - FAST	\$201.00	\$402.00
14	1	KIT-CTXNL	BLADE Narrow Leg-Mount Cable Tray [Includes Risers & Faceplates]	\$282.00	\$282.00
15	1	KIT-HARNESSBLADE	36" Harness [Requires 4 Duplex Receptacles, 8 Outlets]	\$447.00	\$447.00
				Total Clear Design	\$6,815.00

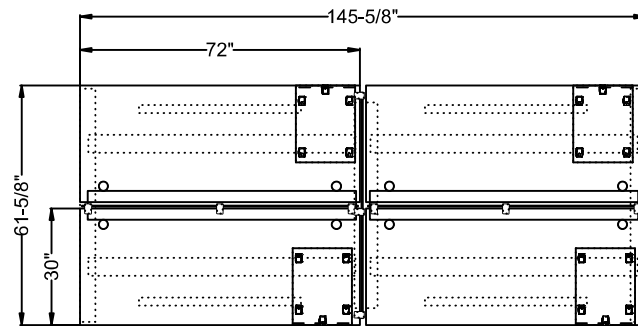


#	Quantity	Part Number	Description	List	Ext. List
Clear Design					
1	1	BL48INT	BLADE 48" Intermediate Leg [27.375" High, Expands to 60" Wide]	\$604.00	\$604.00
2	2	BL60	BLADE 60" End Leg [27.375" High]	\$469.00	\$938.00
3	4	BLPB2	BLADE Long Low Profile Beam	\$193.00	\$772.00
4	3	BMBGS58	58" Dry-Erase Frosted Glass Divider [20" High]	\$791.00	\$2,373.00
5	1	BNTEC	BLADE Narrow Cable Tray End Cap	\$77.00	\$77.00
6	2	BPDR_C1	Duplex Receptacle (Configuration 1) [2 Outlets]	\$30.00	\$60.00
7	2	BPDR_C2	Duplex Receptacle (Configuration 2) [2 Outlets]	\$30.00	\$60.00
8	2	BPDR_C3	Duplex Receptacle (Configuration 3) [2 Outlets]	\$30.00	\$60.00
9	2	BPDR_T24_C4	Duplex Receptacle (Configuration 4) [2 Outlets, Title 24 Compliant]	\$30.00	\$60.00
10	1	BPIF72	60" In-Feed	\$384.00	\$384.00
11	1	BPJ42	42" Jumper	\$259.00	\$259.00
12	9	BSB9	Divider Bracket (Version 9) [Includes Shims]	\$54.00	\$486.00
13	4	BSBBF	Steel Mobile Box/Box/File Pedestal [22" High]	\$781.00	\$3,124.00
14	4	GB3066	30"x66" Surface [1" Thick, Includes 2 Pre-Installed Grommets] - FAST	\$632.00	\$2,528.00
15	4	GS1915	19"x15" Pedestal Cushion [Square Corners] - FAST	\$201.00	\$804.00
16	2	KIT-CTXNL	BLADE Narrow Leg-Mount Cable Tray [Includes Risers & Faceplates]	\$282.00	\$564.00
17	2	KIT-HARNESS	BLADE 36" Harness [Requires 4 Duplex Receptacles, 8 Outlets]	\$447.00	\$894.00
				Total Clear Design	\$14,047.00

B30FB72-2

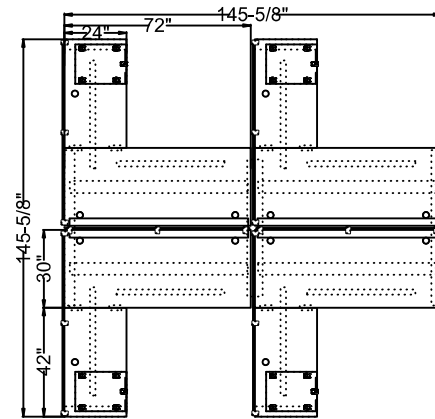


#	Quantity	Part Number	Description	List	Ext. List
Clear Design					
1	2	BASB72	42" Support Bar	\$173.00	\$346.00
2	2	BL60	BLADE 60" End Leg [27.375" High]	\$469.00	\$938.00
3	2	BLPB2	BLADE Long Low Profile Beam	\$193.00	\$386.00
4	1	BMBGS71	71" Dry-Erase Frosted Glass Divider [20" High]	\$953.00	\$953.00
5	1	BNTEC	BLADE Narrow Cable Tray End Cap	\$77.00	\$77.00
6	1	BPDR_C1	Duplex Receptacle (Configuration 1) [2 Outlets]	\$30.00	\$30.00
7	1	BPDR_C2	Duplex Receptacle (Configuration 2) [2 Outlets]	\$30.00	\$30.00
8	1	BPDR_C3	Duplex Receptacle (Configuration 3) [2 Outlets]	\$30.00	\$30.00
9	1	BPDR_T24_C4	Duplex Receptacle (Configuration 4) [2 Outlets, Title 24 Compliant]	\$30.00	\$30.00
10	1	BPIF72	60" In-Feed	\$384.00	\$384.00
11	3	BSB9	Divider Bracket (Version 9) [Includes Shims]	\$54.00	\$162.00
12	2	BSBBF	Steel Mobile Box/Box/File Pedestal [22" High]	\$781.00	\$1,562.00
13	2	GB3072	30"x72" Surface [1" Thick, Includes 2 Pre-Installed Grommets] - FAST	\$660.00	\$1,320.00
14	2	GS1915	19"x15" Pedestal Cushion [Square Corners] - FAST	\$201.00	\$402.00
15	1	KIT-CTXNL	BLADE Narrow Leg-Mount Cable Tray [Includes Risers & Faceplates]	\$282.00	\$282.00
16	1	KIT-HARNESSBLADE	36" Harness [Requires 4 Duplex Receptacles, 8 Outlets]	\$447.00	\$447.00
				Total Clear Design \$7,379.00	



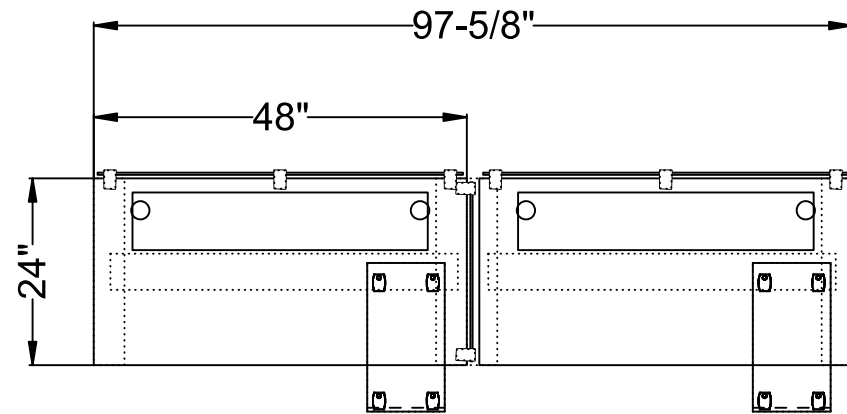
#	Quantity	Part Number	Description	List	Ext. List
Clear Design					
1	4	BASB72	42" Support Bar	\$173.00	\$692.00
2	1	BL48INT	BLADE 48" Intermediate Leg [27.375" High, Expands to 60" Wide]	\$604.00	\$604.00
3	2	BL60	BLADE 60" End Leg [27.375" High]	\$469.00	\$938.00
4	4	BLPB2	BLADE Long Low Profile Beam	\$193.00	\$772.00
5	1	BMBGS58	58" Dry-Erase Frosted Glass Divider [20" High]	\$791.00	\$791.00
6	2	BMBGS71	71" Dry-Erase Frosted Glass Divider [20" High]	\$953.00	\$1,906.00
7	1	BNTEC	BLADE Narrow Cable Tray End Cap	\$77.00	\$77.00
8	2	BPDR_C1	Duplex Receptacle (Configuration 1) [2 Outlets]	\$30.00	\$60.00
9	2	BPDR_C2	Duplex Receptacle (Configuration 2) [2 Outlets]	\$30.00	\$60.00
10	2	BPDR_C3	Duplex Receptacle (Configuration 3) [2 Outlets]	\$30.00	\$60.00
11	2	BPDR_T24_C4	Duplex Receptacle (Configuration 4) [2 Outlets, Title 24 Compliant]	\$30.00	\$60.00
12	1	BPIF72	60" In-Feed	\$384.00	\$384.00
13	1	BPJ42	42" Jumper	\$259.00	\$259.00
14	9	BSB9	Divider Bracket (Version 9) [Includes Shims]	\$54.00	\$486.00
15	4	BSBBF	Steel Mobile Box/Box/File Pedestal [22" High]	\$781.00	\$3,124.00
16	4	GB3072	30"x72" Surface [1" Thick, Includes 2 Pre-Installed Grommets] - FAST	\$660.00	\$2,640.00
17	4	GS1915	19"x15" Pedestal Cushion [Square Corners] - FAST	\$201.00	\$804.00
18	2	KIT-CTXNL	BLADE Narrow Leg-Mount Cable Tray [Includes Risers & Faceplates]	\$282.00	\$564.00
19	2	KIT-HARNESSBLADE	36" Harness [Requires 4 Duplex Receptacles, 8 Outlets]	\$447.00	\$894.00
				Total Clear Design	\$15,175.00

B3072FBL2442-4



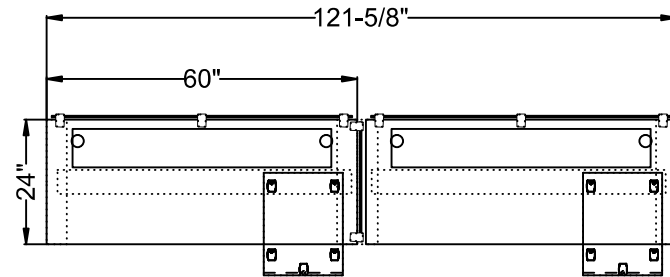
#	Quantity	Part Number	Description	List	Ext. List
Clear Design					
1	8	BASB72	42" Support Bar	\$173.00	\$1,384.00
2	8	BFB1	Flat Bracket	\$8.00	\$64.00
3	4	BL24	BLADE 24" End Leg [27.375" High]	\$278.00	\$1,112.00
4	1	BL48INT	BLADE 48" Intermediate Leg [27.375" High, Expands to 60" Wide]	\$604.00	\$604.00
5	2	BL60	BLADE 60" End Leg [27.375" High]	\$469.00	\$938.00
6	4	BLPB2	BLADE Long Low Profile Beam	\$193.00	\$772.00
7	6	BMBGS71	71" Dry-Erase Frosted Glass Divider [20" High]	\$953.00	\$5,718.00
8	1	BNTEC	BLADE Narrow Cable Tray End Cap	\$77.00	\$77.00
9	2	BPDR_C1	Duplex Receptacle (Configuration 1) [2 Outlets]	\$30.00	\$60.00
10	2	BPDR_C2	Duplex Receptacle (Configuration 2) [2 Outlets]	\$30.00	\$60.00
11	2	BPDR_C3	Duplex Receptacle (Configuration 3) [2 Outlets]	\$30.00	\$60.00
12	2	BPDR_T24_C4	Duplex Receptacle (Configuration 4) [2 Outlets, Title 24 Compliant]	\$30.00	\$60.00
13	1	BPIF72	60" In-Feed	\$384.00	\$384.00
14	1	BPJ42	42" Jumper	\$259.00	\$259.00
15	18	BSB9	Divider Bracket (Version 9) [Includes Shims]	\$54.00	\$972.00
16	4	BSBBF	Steel Mobile Box/Box/File Pedestal [22" High]	\$781.00	\$3,124.00
17	4	GB2442	24"x42" Cross-Grain Surface [1" Thick, Includes 1 Pre-Installed Grommet] - FAST	\$317.00	\$1,268.00
18	4	GB3072	30"x72" Surface [1" Thick, Includes 2 Pre-Installed Grommets] - FAST	\$660.00	\$2,640.00
19	4	GS1915	19"x15" Pedestal Cushion [Square Corners] - FAST	\$201.00	\$804.00
20	2	KIT-CTXNL	BLADE Narrow Leg-Mount Cable Tray [Includes Risers & Faceplates]	\$282.00	\$564.00
21	2	KIT-HARNESSBLADE	36" Harness [Requires 4 Duplex Receptacles, 8 Outlets]	\$447.00	\$894.00
				Total Clear Design	\$21,818.00

B24SB48-2



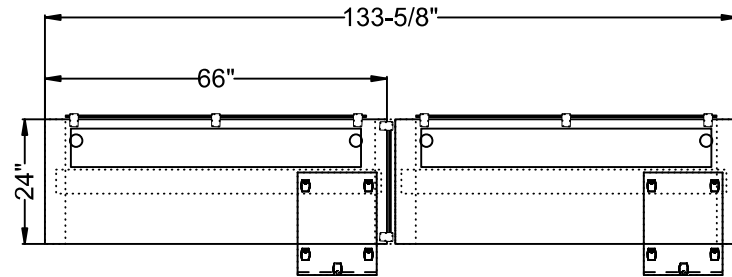
#	Quantity	Part Number	Description	List	Ext. List
Clear Design					
1	2	BFSLM	Steel Mobile Box/File Slim Pedestal	\$728.00	\$1,456.00
2	3	BL24	BLADE 24" End Leg [27.375" High]	\$278.00	\$834.00
3	1	BLC1	BLADE Leg Connecting Bracket (V2)	\$98.00	\$98.00
4	2	BLPB2	BLADE Long Low Profile Beam	\$193.00	\$386.00
5	1	BMBGS23	23" Dry-Erase Frosted Glass Divider [20" High]	\$385.00	\$385.00
6	2	BMBGS47	47" Dry-Erase Frosted Glass Divider [20" High]	\$665.00	\$1,330.00
7	1	BNTEC	BLADE Narrow Cable Tray End Cap	\$77.00	\$77.00
8	2	BPDR_C1	Duplex Receptacle (Configuration 1) [2 Outlets]	\$30.00	\$60.00
9	2	BPDR_C2	Duplex Receptacle (Configuration 2) [2 Outlets]	\$30.00	\$60.00
10	2	BPDR_C3	Duplex Receptacle (Configuration 3) [2 Outlets]	\$30.00	\$60.00
11	2	BPDR_T24_C4	Duplex Receptacle (Configuration 4) [2 Outlets, Title 24 Compliant]	\$30.00	\$60.00
12	1	BPIF72	60" In-Feed	\$384.00	\$384.00
13	1	BPJ29	29" Jumper	\$259.00	\$259.00
14	8	BSB9	Divider Bracket (Version 9) [Includes Shims]	\$54.00	\$432.00
15	2	GB2448	24"x48" Surface [1" Thick, Includes 2 Pre-Installed Grommets] - FAST	\$363.00	\$726.00
16	2	GS1910	19"x10" Slim Pedestal Cushion [Square Corners] - FAST	\$173.00	\$346.00
17	2	KIT-CTXN	BLADE Narrow Surface-Mount Cable Tray [Includes Risers & Faceplates]	\$282.00	\$564.00
18	2	KIT-HARNESS-4	BLADE 18" Harness [Requires 4 Duplex Receptacles, 8 Outlets]	\$447.00	\$894.00
				Total Clear Design \$8,411.00	

B24SB60-2



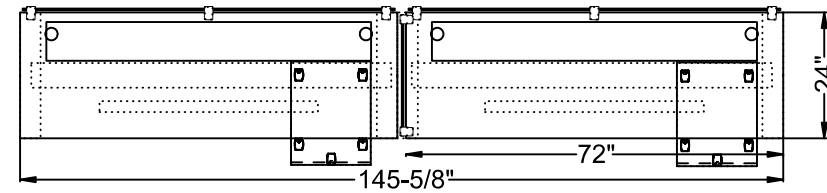
#	Quantity	Part Number	Description	List	Ext. List
Clear Design					
1	3	BL24	BLADE 24" End Leg [27.375" High]	\$278.00	\$834.00
2	1	BLC1	BLADE Leg Connecting Bracket (V2)	\$98.00	\$98.00
3	2	BLPB2	BLADE Long Low Profile Beam	\$193.00	\$386.00
4	1	BMBGS23	23" Dry-Erase Frosted Glass Divider [20" High]	\$385.00	\$385.00
5	2	BMBGS58	58" Dry-Erase Frosted Glass Divider [20" High]	\$791.00	\$1,582.00
6	1	BNTEC	BLADE Narrow Cable Tray End Cap	\$77.00	\$77.00
7	2	BPDR_C1	Duplex Receptacle (Configuration 1) [2 Outlets]	\$30.00	\$60.00
8	2	BPDR_C2	Duplex Receptacle (Configuration 2) [2 Outlets]	\$30.00	\$60.00
9	2	BPDR_C3	Duplex Receptacle (Configuration 3) [2 Outlets]	\$30.00	\$60.00
10	2	BPDR_T24_C4	Duplex Receptacle (Configuration 4) [2 Outlets, Title 24 Compliant]	\$30.00	\$60.00
11	1	BPIF72	60" In-Feed	\$384.00	\$384.00
12	1	BPJ29	29" Jumper	\$259.00	\$259.00
13	8	BSB9	Divider Bracket (Version 9) [Includes Shims]	\$54.00	\$432.00
14	2	BSBBF	Steel Mobile Box/Box/File Pedestal [22" High]	\$781.00	\$1,562.00
15	2	GB2460	24"x60" Surface [1" Thick, Includes 2 Pre-Installed Grommets] - FAST	\$450.00	\$900.00
16	2	GS1915	19"x15" Pedestal Cushion [Square Corners] - FAST	\$201.00	\$402.00
17	2	KIT-CTXN	BLADE Narrow Surface-Mount Cable Tray [Includes Risers & Faceplates]	\$282.00	\$564.00
18	2	KIT-HARNESSBLADE	36" Harness [Requires 4 Duplex Receptacles, 8 Outlets]	\$447.00	\$894.00
				Total Clear Design	\$8,999.00

B24SB66-2



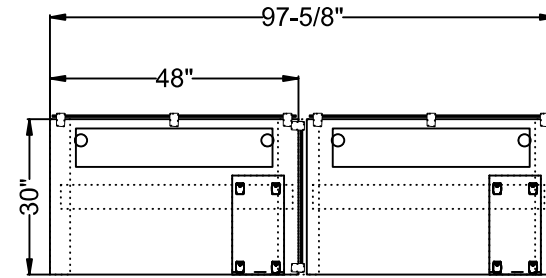
#	Quantity	Part Number	Description	List	Ext. List
Clear Design					
1	3	BL24	BLADE 24" End Leg [27.375" High]	\$278.00	\$834.00
2	1	BLC1	BLADE Leg Connecting Bracket (V2)	\$98.00	\$98.00
3	2	BLPB2	BLADE Long Low Profile Beam	\$193.00	\$386.00
4	1	BMBGS23	23" Dry-Erase Frosted Glass Divider [20" High]	\$385.00	\$385.00
5	2	BMBGS58	58" Dry-Erase Frosted Glass Divider [20" High]	\$791.00	\$1,582.00
6	1	BNTEC	BLADE Narrow Cable Tray End Cap	\$77.00	\$77.00
7	2	BPDR_C1	Duplex Receptacle (Configuration 1) [2 Outlets]	\$30.00	\$60.00
8	2	BPDR_C2	Duplex Receptacle (Configuration 2) [2 Outlets]	\$30.00	\$60.00
9	2	BPDR_C3	Duplex Receptacle (Configuration 3) [2 Outlets]	\$30.00	\$60.00
10	2	BPDR_T24_C4	Duplex Receptacle (Configuration 4) [2 Outlets, Title 24 Compliant]	\$30.00	\$60.00
11	1	BPIF72	60" In-Feed	\$384.00	\$384.00
12	1	BPJ42	42" Jumper	\$259.00	\$259.00
13	8	BSB9	Divider Bracket (Version 9) [Includes Shims]	\$54.00	\$432.00
14	2	BSBBF	Steel Mobile Box/Box/File Pedestal [22" High]	\$781.00	\$1,562.00
15	2	GB2466	24"x66" Surface [1" Thick, Includes 2 Pre-Installed Grommets] - FAST	\$494.00	\$988.00
16	2	GS1915	19"x15" Pedestal Cushion [Square Corners] - FAST	\$201.00	\$402.00
17	2	KIT-CTXN	BLADE Narrow Surface-Mount Cable Tray [Includes Risers & Faceplates]	\$282.00	\$564.00
18	2	KIT-HARNESS	BLADE 36" Harness [Requires 4 Duplex Receptacles, 8 Outlets]	\$447.00	\$894.00
				Total Clear Design	\$9,087.00

B24SB72-2



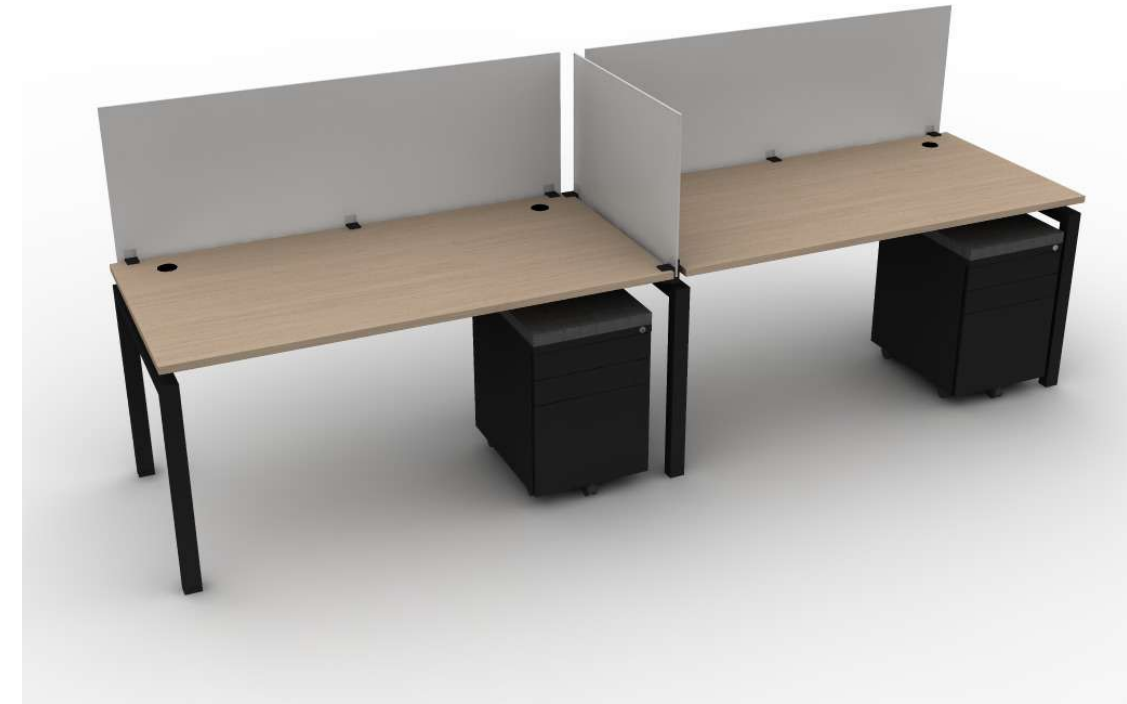
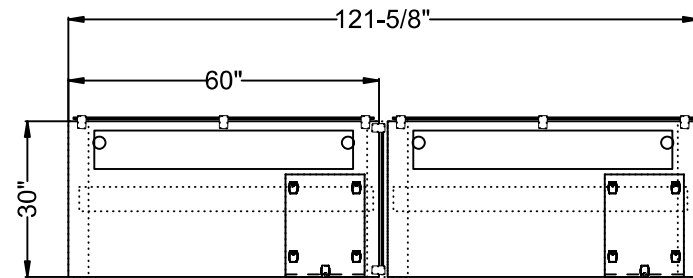
#	Quantity	Part Number	Description	List	Ext. List
Clear Design					
1	2	BASB72	42" Support Bar	\$173.00	\$346.00
2	3	BL24	BLADE 24" End Leg [27.375" High]	\$278.00	\$834.00
3	1	BLC1	BLADE Leg Connecting Bracket (V2)	\$98.00	\$98.00
4	2	BLPB2	BLADE Long Low Profile Beam	\$193.00	\$386.00
5	1	BMBGS23	23" Dry-Erase Frosted Glass Divider [20" High]	\$385.00	\$385.00
6	2	BMBGS71	71" Dry-Erase Frosted Glass Divider [20" High]	\$953.00	\$1,906.00
7	1	BNTEC	BLADE Narrow Cable Tray End Cap	\$77.00	\$77.00
8	2	BPDR_C1	Duplex Receptacle (Configuration 1) [2 Outlets]	\$30.00	\$60.00
9	2	BPDR_C2	Duplex Receptacle (Configuration 2) [2 Outlets]	\$30.00	\$60.00
10	2	BPDR_C3	Duplex Receptacle (Configuration 3) [2 Outlets]	\$30.00	\$60.00
11	2	BPDR_T24_C4	Duplex Receptacle (Configuration 4) [2 Outlets, Title 24 Compliant]	\$30.00	\$60.00
12	1	BPIF72	60" In-Feed	\$384.00	\$384.00
13	1	BPJ42	42" Jumper	\$259.00	\$259.00
14	8	BSB9	Divider Bracket (Version 9) [Includes Shims]	\$54.00	\$432.00
15	2	BSBBF	Steel Mobile Box/Box/File Pedestal [22" High]	\$781.00	\$1,562.00
16	2	GB2472	24"x72" Surface [1" Thick, Includes 2 Pre-Installed Grommets] - FAST	\$532.00	\$1,064.00
17	2	GS1915	19"x15" Pedestal Cushion [Square Corners] - FAST	\$201.00	\$402.00
18	2	KIT-CTXN	BLADE Narrow Surface-Mount Cable Tray [Includes Risers & Faceplates]	\$282.00	\$564.00
19	2	KIT-HARNESSBLADE	36" Harness [Requires 4 Duplex Receptacles, 8 Outlets]	\$447.00	\$894.00
				Total Clear Design	\$9,833.00

B30SB48-2

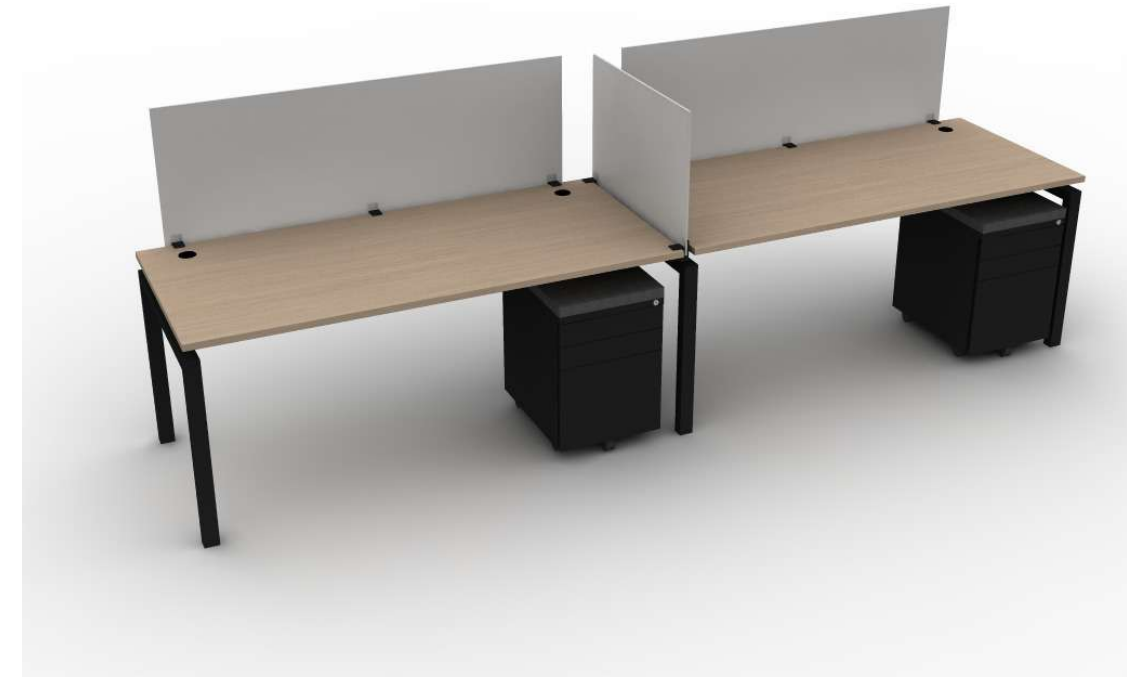
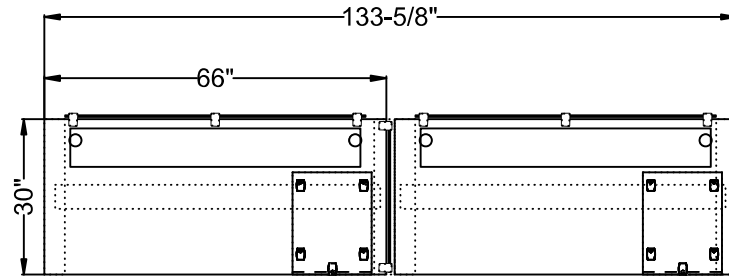


#	Quantity	Part Number	Description	List	Ext. List
Clear Design					
1	2	BFSLM	Steel Mobile Box/File Slim Pedestal	\$728.00	\$1,456.00
2	3	BL30	BLADE 30" End Leg [27.375" High]	\$291.00	\$873.00
3	1	BLC1	BLADE Leg Connecting Bracket (V2)	\$98.00	\$98.00
4	2	BLPB2	BLADE Long Low Profile Beam	\$193.00	\$386.00
5	1	BMBGS29	29" Dry-Erase Frosted Glass Divider [20" High]	\$444.00	\$444.00
6	2	BMBGS47	47" Dry-Erase Frosted Glass Divider [20" High]	\$665.00	\$1,330.00
7	1	BNTEC	BLADE Narrow Cable Tray End Cap	\$77.00	\$77.00
8	2	BPDR_C1	Duplex Receptacle (Configuration 1) [2 Outlets]	\$30.00	\$60.00
9	2	BPDR_C2	Duplex Receptacle (Configuration 2) [2 Outlets]	\$30.00	\$60.00
10	2	BPDR_C3	Duplex Receptacle (Configuration 3) [2 Outlets]	\$30.00	\$60.00
11	2	BPDR_T24_C4	Duplex Receptacle (Configuration 4) [2 Outlets, Title 24 Compliant]	\$30.00	\$60.00
12	1	BPIF72	60" In-Feed	\$384.00	\$384.00
13	1	BPJ29	29" Jumper	\$259.00	\$259.00
14	8	BSB9	Divider Bracket (Version 9) [Includes Shims]	\$54.00	\$432.00
15	2	GB3048	30"x48" Surface [1" Thick, Includes 2 Pre-Installed Grommets] - FAST	\$450.00	\$900.00
16	2	GS1910	19"x10" Slim Pedestal Cushion [Square Corners] - FAST	\$173.00	\$346.00
17	2	KIT-CTXN	BLADE Narrow Surface-Mount Cable Tray [Includes Risers & Faceplates]	\$282.00	\$564.00
18	2	KIT-HARNESS-4BLADE	18" Harness [Requires 4 Duplex Receptacles, 8 Outlets]	\$447.00	\$894.00
				Total Clear Design \$8,683.00	

B30SB60-2

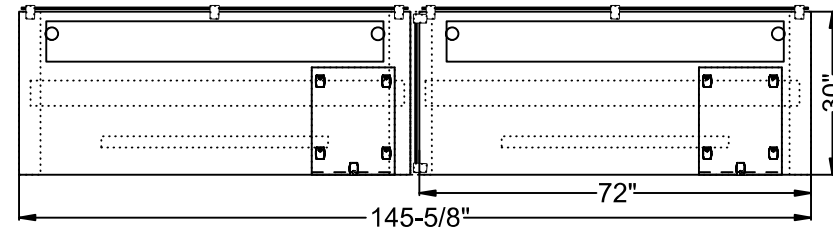


#	Quantity	Part Number	Description	List	Ext. List
Clear Design					
1	3	BL30	BLADE 30" End Leg [27.375" High]	\$291.00	\$873.00
2	1	BLC1	BLADE Leg Connecting Bracket (V2)	\$98.00	\$98.00
3	2	BLPB2	BLADE Long Low Profile Beam	\$193.00	\$386.00
4	1	BMBGS29	29" Dry-Erase Frosted Glass Divider [20" High]	\$444.00	\$444.00
5	2	BMBGS58	58" Dry-Erase Frosted Glass Divider [20" High]	\$791.00	\$1,582.00
6	1	BNTEC	BLADE Narrow Cable Tray End Cap	\$77.00	\$77.00
7	2	BPDR_C1	Duplex Receptacle (Configuration 1) [2 Outlets]	\$30.00	\$60.00
8	2	BPDR_C2	Duplex Receptacle (Configuration 2) [2 Outlets]	\$30.00	\$60.00
9	2	BPDR_C3	Duplex Receptacle (Configuration 3) [2 Outlets]	\$30.00	\$60.00
10	2	BPDR_T24_C4	Duplex Receptacle (Configuration 4) [2 Outlets, Title 24 Compliant]	\$30.00	\$60.00
11	1	BPIF72	60" In-Feed	\$384.00	\$384.00
12	1	BPJ29	29" Jumper	\$259.00	\$259.00
13	8	BSB9	Divider Bracket (Version 9) [Includes Shims]	\$54.00	\$432.00
14	2	BSBBF	Steel Mobile Box/Box/File Pedestal [22" High]	\$781.00	\$1,562.00
15	2	GB3060	30"x60" Surface [1" Thick, Includes 2 Pre-Installed Grommets] - FAST	\$575.00	\$1,150.00
16	2	GS1915	19"x15" Pedestal Cushion [Square Corners] - FAST	\$201.00	\$402.00
17	2	KIT-CTXN	BLADE Narrow Surface-Mount Cable Tray [Includes Risers & Faceplates]	\$282.00	\$564.00
18	2	KIT-HARNESS	BLADE 36" Harness [Requires 4 Duplex Receptacles, 8 Outlets]	\$447.00	\$894.00
				Total Clear Design \$9,347.00	



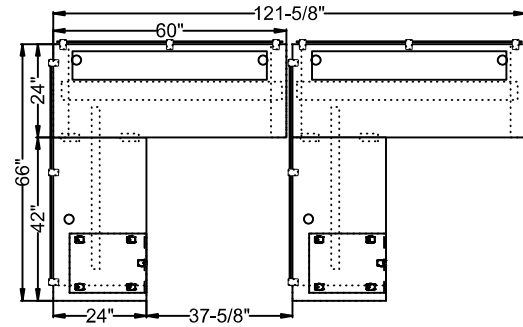
#	Quantity	Part Number	Description	List	Ext. List
Clear Design					
1	3	BL30	BLADE 30" End Leg [27.375" High]	\$291.00	\$873.00
2	1	BLC1	BLADE Leg Connecting Bracket (V2)	\$98.00	\$98.00
3	2	BLPB2	BLADE Long Low Profile Beam	\$193.00	\$386.00
4	1	BMBGS29	29" Dry-Erase Frosted Glass Divider [20" High]	\$444.00	\$444.00
5	2	BMBGS58	58" Dry-Erase Frosted Glass Divider [20" High]	\$791.00	\$1,582.00
6	1	BNTEC	BLADE Narrow Cable Tray End Cap	\$77.00	\$77.00
7	2	BPDR_C1	Duplex Receptacle (Configuration 1) [2 Outlets]	\$30.00	\$60.00
8	2	BPDR_C2	Duplex Receptacle (Configuration 2) [2 Outlets]	\$30.00	\$60.00
9	2	BPDR_C3	Duplex Receptacle (Configuration 3) [2 Outlets]	\$30.00	\$60.00
10	2	BPDR_T24_C4	Duplex Receptacle (Configuration 4) [2 Outlets, Title 24 Compliant]	\$30.00	\$60.00
11	1	BPIF72	60" In-Feed	\$384.00	\$384.00
12	1	BPJ42	42" Jumper	\$259.00	\$259.00
13	8	BSB9	Divider Bracket (Version 9) [Includes Shims]	\$54.00	\$432.00
14	2	BSBBF	Steel Mobile Box/Box/File Pedestal [22" High]	\$781.00	\$1,562.00
15	2	GB3066	30"x66" Surface [1" Thick, Includes 2 Pre-Installed Grommets] - FAST	\$632.00	\$1,264.00
16	2	GS1915	19"x15" Pedestal Cushion [Square Corners] - FAST	\$201.00	\$402.00
17	2	KIT-CTXN	BLADE Narrow Surface-Mount Cable Tray [Includes Risers & Faceplates]	\$282.00	\$564.00
18	2	KIT-HARNESS	BLADE 36" Harness [Requires 4 Duplex Receptacles, 8 Outlets]	\$447.00	\$894.00
				Total Clear Design	\$9,461.00

B30SB72-2



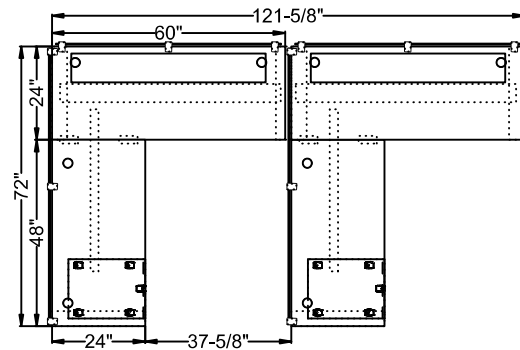
#	Quantity	Part Number	Description	List	Ext. List
Clear Design					
1	2	BASB72	42" Support Bar	\$173.00	\$346.00
2	3	BL30	BLADE 30" End Leg [27.375" High]	\$291.00	\$873.00
3	1	BLC1	BLADE Leg Connecting Bracket (V2)	\$98.00	\$98.00
4	2	BLPB2	BLADE Long Low Profile Beam	\$193.00	\$386.00
5	1	BMBGS29	29" Dry-Erase Frosted Glass Divider [20" High]	\$444.00	\$444.00
6	2	BMBGS71	71" Dry-Erase Frosted Glass Divider [20" High]	\$953.00	\$1,906.00
7	1	BNTEC	BLADE Narrow Cable Tray End Cap	\$77.00	\$77.00
8	2	BPDR_C1	Duplex Receptacle (Configuration 1) [2 Outlets]	\$30.00	\$60.00
9	2	BPDR_C2	Duplex Receptacle (Configuration 2) [2 Outlets]	\$30.00	\$60.00
10	2	BPDR_C3	Duplex Receptacle (Configuration 3) [2 Outlets]	\$30.00	\$60.00
11	2	BPDR_T24_C4	Duplex Receptacle (Configuration 4) [2 Outlets, Title 24 Compliant]	\$30.00	\$60.00
12	1	BPIF72	60" In-Feed	\$384.00	\$384.00
13	1	BPJ42	42" Jumper	\$259.00	\$259.00
14	8	BSB9	Divider Bracket (Version 9) [Includes Shims]	\$54.00	\$432.00
15	2	BSBBF	Steel Mobile Box/Box/File Pedestal [22" High]	\$781.00	\$1,562.00
16	2	GB3072	30"x72" Surface [1" Thick, Includes 2 Pre-Installed Grommets] - FAST	\$660.00	\$1,320.00
17	2	GS1915	19"x15" Pedestal Cushion [Square Corners] - FAST	\$201.00	\$402.00
18	2	KIT-CTXN	BLADE Narrow Surface-Mount Cable Tray [Includes Risers & Faceplates]	\$282.00	\$564.00
19	2	KIT-HARNESSBLADE	36" Harness [Requires 4 Duplex Receptacles, 8 Outlets]	\$447.00	\$894.00
				Total Clear Design	\$10,187.00

B2460SBL2442-2



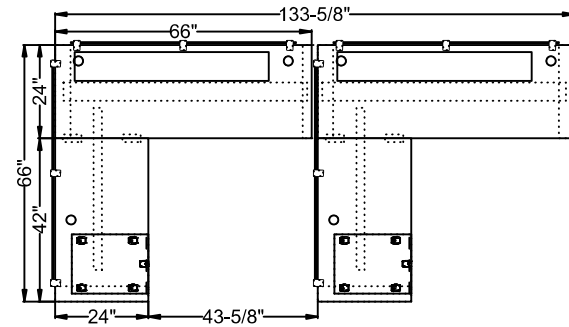
#	Quantity	Part Number	Description	List	Ext. List
Clear Design					
1	2	BASB72	42" Support Bar	\$173.00	\$346.00
2	4	BFB1	Flat Bracket	\$8.00	\$32.00
3	5	BL24	BLADE 24" End Leg [27.375" High]	\$278.00	\$1,390.00
4	1	BLC1	BLADE Leg Connecting Bracket (V2)	\$98.00	\$98.00
5	2	BLPB2	BLADE Long Low Profile Beam	\$193.00	\$386.00
6	4	BMBGS58	58" Dry-Erase Frosted Glass Divider [20" High]	\$791.00	\$3,164.00
7	1	BNTEC	BLADE Narrow Cable Tray End Cap	\$77.00	\$77.00
8	2	BPDR_C1	Duplex Receptacle (Configuration 1) [2 Outlets]	\$30.00	\$60.00
9	2	BPDR_C2	Duplex Receptacle (Configuration 2) [2 Outlets]	\$30.00	\$60.00
10	2	BPDR_C3	Duplex Receptacle (Configuration 3) [2 Outlets]	\$30.00	\$60.00
11	2	BPDR_T24_C4	Duplex Receptacle (Configuration 4) [2 Outlets, Title 24 Compliant]	\$30.00	\$60.00
12	1	BPIF72	60" In-Feed	\$384.00	\$384.00
13	1	BPJ29	29" Jumper	\$259.00	\$259.00
14	12	BSB9	Divider Bracket (Version 9) [Includes Shims]	\$54.00	\$648.00
15	2	BSBBF	Steel Mobile Box/Box/File Pedestal [22" High]	\$781.00	\$1,562.00
16	2	GB2442	24"x42" Cross-Grain Surface [1" Thick, Includes 1 Pre-Installed Grommet] - FAST	\$317.00	\$634.00
17	2	GB2460	24"x60" Surface [1" Thick, Includes 2 Pre-Installed Grommets] - FAST	\$450.00	\$900.00
18	2	GS1915	19"x15" Pedestal Cushion [Square Corners] - FAST	\$201.00	\$402.00
19	2	KIT-CTXN	BLADE Narrow Surface-Mount Cable Tray [Includes Risers & Faceplates]	\$282.00	\$564.00
20	2	KIT-HARNESS	BLADE 36" Harness [Requires 4 Duplex Receptacles, 8 Outlets]	\$447.00	\$894.00
				Total Clear Design	\$11,980.00

B2460SBL2448-2



#	Quantity	Part Number	Description	List	Ext. List
Clear Design					
1	2	BASB72	42" Support Bar	\$173.00	\$346.00
2	4	BFB1	Flat Bracket	\$8.00	\$32.00
3	5	BL24	BLADE 24" End Leg [27.375" High]	\$278.00	\$1,390.00
4	1	BLC1	BLADE Leg Connecting Bracket (V2)	\$98.00	\$98.00
5	2	BLPB2	BLADE Long Low Profile Beam	\$193.00	\$386.00
6	2	BMBGS58	58" Dry-Erase Frosted Glass Divider [20" High]	\$791.00	\$1,582.00
7	2	BMBGS71	71" Dry-Erase Frosted Glass Divider [20" High]	\$953.00	\$1,906.00
8	1	BNTEC	BLADE Narrow Cable Tray End Cap	\$77.00	\$77.00
9	2	BPDR_C1	Duplex Receptacle (Configuration 1) [2 Outlets]	\$30.00	\$60.00
10	2	BPDR_C2	Duplex Receptacle (Configuration 2) [2 Outlets]	\$30.00	\$60.00
11	2	BPDR_C3	Duplex Receptacle (Configuration 3) [2 Outlets]	\$30.00	\$60.00
12	2	BPDR_T24_C4	Duplex Receptacle (Configuration 4) [2 Outlets, Title 24 Compliant]	\$30.00	\$60.00
13	1	BPIF72	60" In-Feed	\$384.00	\$384.00
14	1	BPJ29	29" Jumper	\$259.00	\$259.00
15	12	BSB9	Divider Bracket (Version 9) [Includes Shims]	\$54.00	\$648.00
16	2	BSBBF	Steel Mobile Box/Box/File Pedestal [22" High]	\$781.00	\$1,562.00
17	2	GB2448	24"x48" Surface [1" Thick, Includes 2 Pre-Installed Grommets] - FAST	\$363.00	\$726.00
18	2	GB2460	24"x60" Surface [1" Thick, Includes 2 Pre-Installed Grommets] - FAST	\$450.00	\$900.00
19	2	GS1915	19"x15" Pedestal Cushion [Square Corners] - FAST	\$201.00	\$402.00
20	2	KIT-CTXN	BLADE Narrow Surface-Mount Cable Tray [Includes Risers & Faceplates]	\$282.00	\$564.00
21	2	KIT-HARNESSBLADE	36" Harness [Requires 4 Duplex Receptacles, 8 Outlets]	\$447.00	\$894.00
				Total Clear Design	\$12,396.00

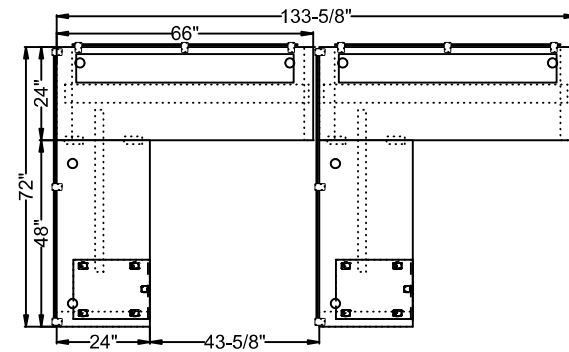
B2466SBL2442-2



#	Quantity	Part Number	Description	List	Ext. List
Clear Design					
1	2	BASB72	42" Support Bar	\$173.00	\$346.00
2	4	BFB1	Flat Bracket	\$8.00	\$32.00
3	5	BL24	BLADE 24" End Leg [27.375" High]	\$278.00	\$1,390.00
4	1	BLC1	BLADE Leg Connecting Bracket (V2)	\$98.00	\$98.00
5	2	BLPB2	BLADE Long Low Profile Beam	\$193.00	\$386.00
6	4	BMBGS58	58" Dry-Erase Frosted Glass Divider [20" High]	\$791.00	\$3,164.00
7	1	BNTEC	BLADE Narrow Cable Tray End Cap	\$77.00	\$77.00
8	2	BPDR_C1	Duplex Receptacle (Configuration 1) [2 Outlets]	\$30.00	\$60.00
9	2	BPDR_C2	Duplex Receptacle (Configuration 2) [2 Outlets]	\$30.00	\$60.00
10	2	BPDR_C3	Duplex Receptacle (Configuration 3) [2 Outlets]	\$30.00	\$60.00
11	2	BPDR_T24_C4	Duplex Receptacle (Configuration 4) [2 Outlets, Title 24 Compliant]	\$30.00	\$60.00
12	1	BPIF72	60" In-Feed	\$384.00	\$384.00
13	1	BPJ42	42" Jumper	\$259.00	\$259.00
14	12	BSB9	Divider Bracket (Version 9) [Includes Shims]	\$54.00	\$648.00
15	2	BSBBF	Steel Mobile Box/Box/File Pedestal [22" High]	\$781.00	\$1,562.00
16	2	GB2442	24"x42" Cross-Grain Surface [1" Thick, Includes 1 Pre-Installed Grommet] - FAST	\$317.00	\$634.00
17	2	GB2466	24"x66" Surface [1" Thick, Includes 2 Pre-Installed Grommets] - FAST	\$494.00	\$988.00
18	2	GS1915	19"x15" Pedestal Cushion [Square Corners] - FAST	\$201.00	\$402.00
19	2	KIT-CTXN	BLADE Narrow Surface-Mount Cable Tray [Includes Risers & Faceplates]	\$282.00	\$564.00
20	2	KIT-HARNESSBLADE	36" Harness [Requires 4 Duplex Receptacles, 8 Outlets]	\$447.00	\$894.00

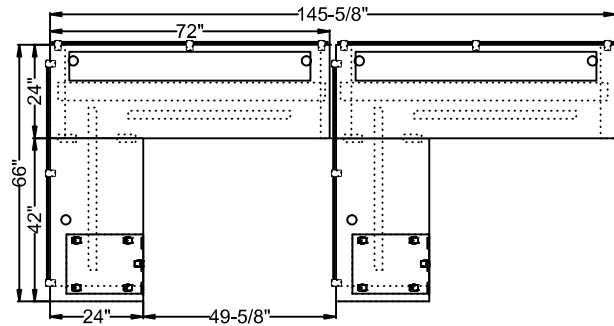
Total Clear Design \$12,068.00

# B2466SBL2448-2



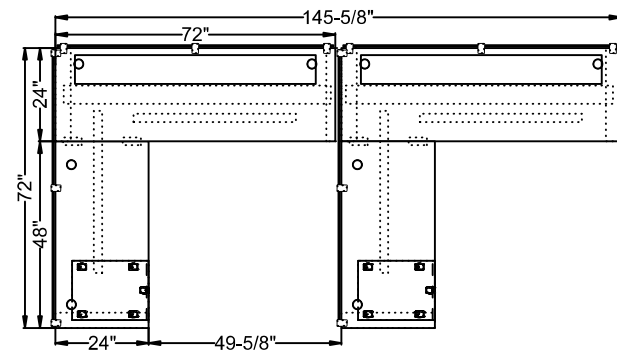
#	Quantity	Part Number	Description	List	Ext. List
Clear Design					
1	2	BASB72	42" Support Bar	\$173.00	\$346.00
2	4	BFB1	Flat Bracket	\$8.00	\$32.00
3	5	BL24	BLADE 24" End Leg [27.375" High]	\$278.00	\$1,390.00
4	1	BLC1	BLADE Leg Connecting Bracket (V2)	\$98.00	\$98.00
5	2	BLPB2	BLADE Long Low Profile Beam	\$193.00	\$386.00
6	2	BMBGS58	58" Dry-Erase Frosted Glass Divider [20" High]	\$791.00	\$1,582.00
7	2	BMBGS71	71" Dry-Erase Frosted Glass Divider [20" High]	\$953.00	\$1,906.00
8	1	BNTEC	BLADE Narrow Cable Tray End Cap	\$77.00	\$77.00
9	2	BPDR_C1	Duplex Receptacle (Configuration 1) [2 Outlets]	\$30.00	\$60.00
10	2	BPDR_C2	Duplex Receptacle (Configuration 2) [2 Outlets]	\$30.00	\$60.00
11	2	BPDR_C3	Duplex Receptacle (Configuration 3) [2 Outlets]	\$30.00	\$60.00
12	2	BPDR_T24_C4	Duplex Receptacle (Configuration 4) [2 Outlets, Title 24 Compliant]	\$30.00	\$60.00
13	1	BPIF72	60" In-Feed	\$384.00	\$384.00
14	1	BPJ42	42" Jumper	\$259.00	\$259.00
15	12	BSB9	Divider Bracket (Version 9) [Includes Shims]	\$54.00	\$648.00
16	2	BSBBF	Steel Mobile Box/Box/File Pedestal [22" High]	\$781.00	\$1,562.00
17	2	GB2448	24"x48" Surface [1" Thick, Includes 2 Pre-Installed Grommets] - FAST	\$363.00	\$726.00
18	2	GB2466	24"x66" Surface [1" Thick, Includes 2 Pre-Installed Grommets] - FAST	\$494.00	\$988.00
19	2	GS1915	19"x15" Pedestal Cushion [Square Corners] - FAST	\$201.00	\$402.00
20	2	KIT-CTXN	BLADE Narrow Surface-Mount Cable Tray [Includes Risers & Faceplates]	\$282.00	\$564.00
21	2	KIT-HARNESSBLADE	36" Harness [Requires 4 Duplex Receptacles, 8 Outlets]	\$447.00	\$894.00
				Total Clear Design	\$12,484.00

# B2472SBL2442-2



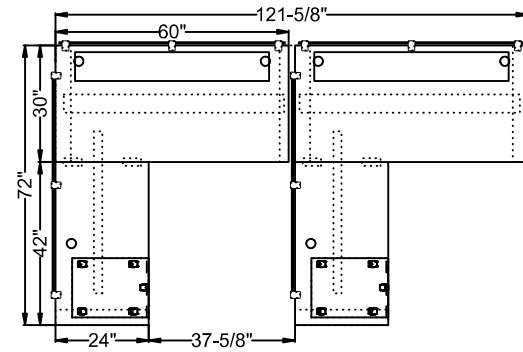
#	Quantity	Part Number	Description	List	Ext. List
Clear Design					
1	4	BASB72	42" Support Bar	\$173.00	\$692.00
2	4	BFB1	Flat Bracket	\$8.00	\$32.00
3	5	BL24	BLADE 24" End Leg [27.375" High]	\$278.00	\$1,390.00
4	1	BLC1	BLADE Leg Connecting Bracket (V2)	\$98.00	\$98.00
5	2	BLPB2	BLADE Long Low Profile Beam	\$193.00	\$386.00
6	2	BMBGS58	58" Dry-Erase Frosted Glass Divider [20" High]	\$791.00	\$1,582.00
7	2	BMBGS71	71" Dry-Erase Frosted Glass Divider [20" High]	\$953.00	\$1,906.00
8	1	BNTEC	BLADE Narrow Cable Tray End Cap	\$77.00	\$77.00
9	2	BPDR_C1	Duplex Receptacle (Configuration 1) [2 Outlets]	\$30.00	\$60.00
10	2	BPDR_C2	Duplex Receptacle (Configuration 2) [2 Outlets]	\$30.00	\$60.00
11	2	BPDR_C3	Duplex Receptacle (Configuration 3) [2 Outlets]	\$30.00	\$60.00
12	2	BPDR_T24_C4	Duplex Receptacle (Configuration 4) [2 Outlets, Title 24 Compliant]	\$30.00	\$60.00
13	1	BPIF72	60" In-Feed	\$384.00	\$384.00
14	1	BPJ42	42" Jumper	\$259.00	\$259.00
15	12	BSB9	Divider Bracket (Version 9) [Includes Shims]	\$54.00	\$648.00
16	2	BSBBF	Steel Mobile Box/Box/File Pedestal [22" High]	\$781.00	\$1,562.00
17	2	GB2442	24"x42" Cross-Grain Surface [1" Thick, Includes 1 Pre-Installed Grommet] - FAST	\$317.00	\$634.00
18	2	GB2472	24"x72" Surface [1" Thick, Includes 2 Pre-Installed Grommets] - FAST	\$532.00	\$1,064.00
19	2	GS1915	19"x15" Pedestal Cushion [Square Corners] - FAST	\$201.00	\$402.00
20	2	KIT-CTXN	BLADE Narrow Surface-Mount Cable Tray [Includes Risers & Faceplates]	\$282.00	\$564.00
21	2	KIT-HARNESSBLADE 36"	Harness [Requires 4 Duplex Receptacles, 8 Outlets]	\$447.00	\$894.00
				Total Clear Design	\$12,814.00

B2472SBL2448-2



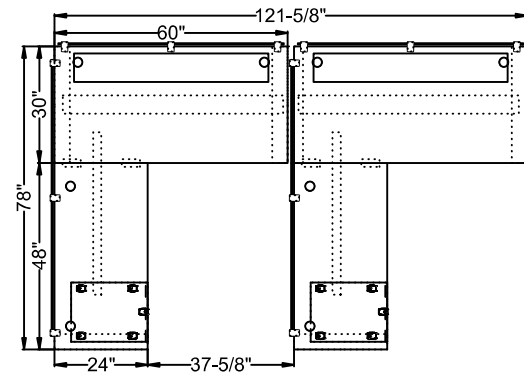
#	Quantity	Part Number	Description	List	Ext. List
Clear Design					
1	4	BASB72	42" Support Bar	\$173.00	\$692.00
2	4	BFB1	Flat Bracket	\$8.00	\$32.00
3	5	BL24	BLADE 24" End Leg [27.375" High]	\$278.00	\$1,390.00
4	1	BLC1	BLADE Leg Connecting Bracket (V2)	\$98.00	\$98.00
5	2	BLPB2	BLADE Long Low Profile Beam	\$193.00	\$386.00
6	4	BMBGS71	71" Dry-Erase Frosted Glass Divider [20" High]	\$953.00	\$3,812.00
7	1	BNTEC	BLADE Narrow Cable Tray End Cap	\$77.00	\$77.00
8	2	BPDR_C1	Duplex Receptacle (Configuration 1) [2 Outlets]	\$30.00	\$60.00
9	2	BPDR_C2	Duplex Receptacle (Configuration 2) [2 Outlets]	\$30.00	\$60.00
10	2	BPDR_C3	Duplex Receptacle (Configuration 3) [2 Outlets]	\$30.00	\$60.00
11	2	BPDR_T24_C4	Duplex Receptacle (Configuration 4) [2 Outlets, Title 24 Compliant]	\$30.00	\$60.00
12	1	BPIF72	60" In-Feed	\$384.00	\$384.00
13	1	BPJ42	42" Jumper	\$259.00	\$259.00
14	12	BSB9	Divider Bracket (Version 9) [Includes Shims]	\$54.00	\$648.00
15	2	BSBBF	Steel Mobile Box/Box/File Pedestal [22" High]	\$781.00	\$1,562.00
16	2	GB2448	24"x48" Surface [1" Thick, Includes 2 Pre-Installed Grommets] - FAST	\$363.00	\$726.00
17	2	GB2472	24"x72" Surface [1" Thick, Includes 2 Pre-Installed Grommets] - FAST	\$532.00	\$1,064.00
18	2	GS1915	19"x15" Pedestal Cushion [Square Corners] - FAST	\$201.00	\$402.00
19	2	KIT-CTXN	BLADE Narrow Surface-Mount Cable Tray [Includes Risers & Faceplates]	\$282.00	\$564.00
20	2	KIT-HARNESS	BLADE 36" Harness [Requires 4 Duplex Receptacles, 8 Outlets]	\$447.00	\$894.00
				Total Clear Design \$13,230.00	

B3060SBL2442-2



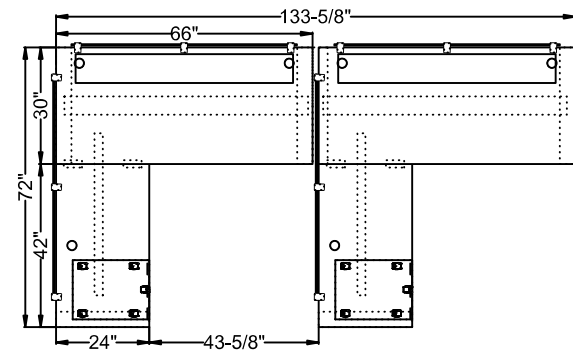
#	Quantity	Part Number	Description	List	Ext. List
Clear Design					
1	2	BASB72	42" Support Bar	\$173.00	\$346.00
2	4	BFB1	Flat Bracket	\$8.00	\$32.00
3	2	BL24	BLADE 24" End Leg [27.375" High]	\$278.00	\$556.00
4	3	BL30	BLADE 30" End Leg [27.375" High]	\$291.00	\$873.00
5	1	BLC1	BLADE Leg Connecting Bracket (V2)	\$98.00	\$98.00
6	2	BLPB2	BLADE Long Low Profile Beam	\$193.00	\$386.00
7	4	BMBGS58	58" Dry-Erase Frosted Glass Divider [20" High]	\$791.00	\$3,164.00
8	1	BNTEC	BLADE Narrow Cable Tray End Cap	\$77.00	\$77.00
9	2	BPDR_C1	Duplex Receptacle (Configuration 1) [2 Outlets]	\$30.00	\$60.00
10	2	BPDR_C2	Duplex Receptacle (Configuration 2) [2 Outlets]	\$30.00	\$60.00
11	2	BPDR_C3	Duplex Receptacle (Configuration 3) [2 Outlets]	\$30.00	\$60.00
12	2	BPDR_T24_C4	Duplex Receptacle (Configuration 4) [2 Outlets, Title 24 Compliant]	\$30.00	\$60.00
13	1	BPIF72	60" In-Feed	\$384.00	\$384.00
14	1	BPJ29	29" Jumper	\$259.00	\$259.00
15	12	BSB9	Divider Bracket (Version 9) [Includes Shims]	\$54.00	\$648.00
16	2	BSBBF	Steel Mobile Box/Box/File Pedestal [22" High]	\$781.00	\$1,562.00
17	2	GB2442	24"x42" Cross-Grain Surface [1" Thick, Includes 1 Pre-Installed Grommet] - FAST	\$317.00	\$634.00
18	2	GB3060	30"x60" Surface [1" Thick, Includes 2 Pre-Installed Grommets] - FAST	\$575.00	\$1,150.00
19	2	GS1915	19"x15" Pedestal Cushion [Square Corners] - FAST	\$201.00	\$402.00
20	2	KIT-CTXN	BLADE Narrow Surface-Mount Cable Tray [Includes Risers & Faceplates]	\$282.00	\$564.00
21	2	KIT-HARNESSBLADE	36" Harness [Requires 4 Duplex Receptacles, 8 Outlets]	\$447.00	\$894.00
				Total Clear Design	\$12,269.00

# B3060SBL2448-2



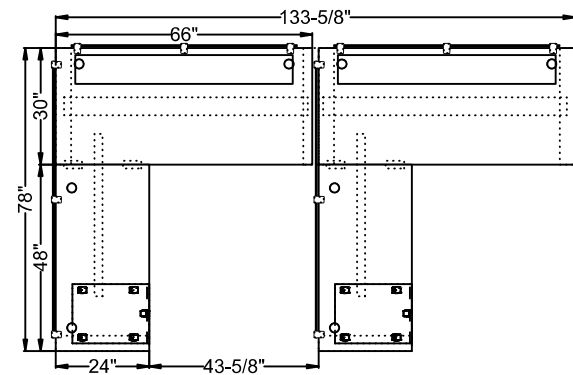
#	Quantity	Part Number	Description	List	Ext. List
Clear Design					
1	2	BASB72	42" Support Bar	\$173.00	\$346.00
2	4	BFB1	Flat Bracket	\$8.00	\$32.00
3	2	BL24	BLADE 24" End Leg [27.375" High]	\$278.00	\$556.00
4	3	BL30	BLADE 30" End Leg [27.375" High]	\$291.00	\$873.00
5	1	BLC1	BLADE Leg Connecting Bracket (V2)	\$98.00	\$98.00
6	2	BLPB2	BLADE Long Low Profile Beam	\$193.00	\$386.00
7	2	BMBGS58	58" Dry-Erase Frosted Glass Divider [20" High]	\$791.00	\$1,582.00
8	2	BMBGS71	71" Dry-Erase Frosted Glass Divider [20" High]	\$953.00	\$1,906.00
9	1	BNTEC	BLADE Narrow Cable Tray End Cap	\$77.00	\$77.00
10	2	BPDR_C1	Duplex Receptacle (Configuration 1) [2 Outlets]	\$30.00	\$60.00
11	2	BPDR_C2	Duplex Receptacle (Configuration 2) [2 Outlets]	\$30.00	\$60.00
12	2	BPDR_C3	Duplex Receptacle (Configuration 3) [2 Outlets]	\$30.00	\$60.00
13	2	BPDR_T24_C4	Duplex Receptacle (Configuration 4) [2 Outlets, Title 24 Compliant]	\$30.00	\$60.00
14	1	BPIF72	60" In-Feed	\$384.00	\$384.00
15	1	BPJ29	29" Jumper	\$259.00	\$259.00
16	12	BSB9	Divider Bracket (Version 9) [Includes Shims]	\$54.00	\$648.00
17	2	BSBBF	Steel Mobile Box/Box/File Pedestal [22" High]	\$781.00	\$1,562.00
18	2	GB2448	24"x48" Surface [1" Thick, Includes 2 Pre-Installed Grommets] - FAST	\$363.00	\$726.00
19	2	GB3060	30"x60" Surface [1" Thick, Includes 2 Pre-Installed Grommets] - FAST	\$575.00	\$1,150.00
20	2	GS1915	19"x15" Pedestal Cushion [Square Corners] - FAST	\$201.00	\$402.00
21	2	KIT-CTXN	BLADE Narrow Surface-Mount Cable Tray [Includes Risers & Faceplates]	\$282.00	\$564.00
22	2	KIT-HARNESSBLADE	36" Harness [Requires 4 Duplex Receptacles, 8 Outlets]	\$447.00	\$894.00
				Total Clear Design	\$12,685.00

B3066SBL2442-2



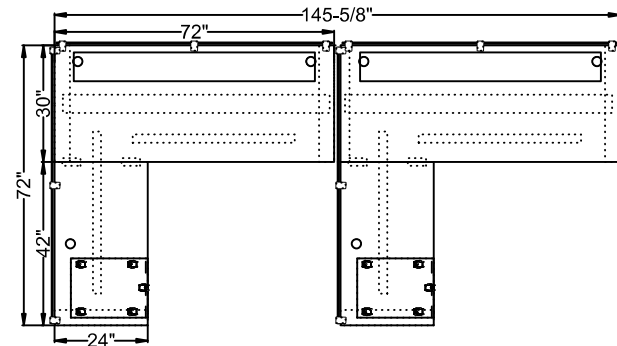
#	Quantity	Part Number	Description	List	Ext. List
Clear Design					
1	2	BASB72	42" Support Bar	\$173.00	\$346.00
2	4	BFB1	Flat Bracket	\$8.00	\$32.00
3	2	BL24	BLADE 24" End Leg [27.375" High]	\$278.00	\$556.00
4	3	BL30	BLADE 30" End Leg [27.375" High]	\$291.00	\$873.00
5	1	BLC1	BLADE Leg Connecting Bracket (V2)	\$98.00	\$98.00
6	2	BLPB2	BLADE Long Low Profile Beam	\$193.00	\$386.00
7	4	BMBGS58	58" Dry-Erase Frosted Glass Divider [20" High]	\$791.00	\$3,164.00
8	1	BNTEC	BLADE Narrow Cable Tray End Cap	\$77.00	\$77.00
9	2	BPDR_C1	Duplex Receptacle (Configuration 1) [2 Outlets]	\$30.00	\$60.00
10	2	BPDR_C2	Duplex Receptacle (Configuration 2) [2 Outlets]	\$30.00	\$60.00
11	2	BPDR_C3	Duplex Receptacle (Configuration 3) [2 Outlets]	\$30.00	\$60.00
12	2	BPDR_T24_C4	Duplex Receptacle (Configuration 4) [2 Outlets, Title 24 Compliant]	\$30.00	\$60.00
13	1	BPIF72	60" In-Feed	\$384.00	\$384.00
14	1	BPJ42	42" Jumper	\$259.00	\$259.00
15	12	BSB9	Divider Bracket (Version 9) [Includes Shims]	\$54.00	\$648.00
16	2	BSBBF	Steel Mobile Box/Box/File Pedestal [22" High]	\$781.00	\$1,562.00
17	2	GB2442	24"x42" Cross-Grain Surface [1" Thick, Includes 1 Pre-Installed Grommet] - FAST	\$317.00	\$634.00
18	2	GB3066	30"x66" Surface [1" Thick, Includes 2 Pre-Installed Grommets] - FAST	\$632.00	\$1,264.00
19	2	GS1915	19"x15" Pedestal Cushion [Square Corners] - FAST	\$201.00	\$402.00
20	2	KIT-CTXN	BLADE Narrow Surface-Mount Cable Tray [Includes Risers & Faceplates]	\$282.00	\$564.00
21	2	KIT-HARNESSBLADE	36" Harness [Requires 4 Duplex Receptacles, 8 Outlets]	\$447.00	\$894.00
				Total Clear Design	\$12,383.00

B3066SBL2448-2



#	Quantity	Part Number	Description	List	Ext. List
Clear Design					
1	2	BASB72	42" Support Bar	\$173.00	\$346.00
2	4	BFB1	Flat Bracket	\$8.00	\$32.00
3	2	BL24	BLADE 24" End Leg [27.375" High]	\$278.00	\$556.00
4	3	BL30	BLADE 30" End Leg [27.375" High]	\$291.00	\$873.00
5	1	BLC1	BLADE Leg Connecting Bracket (V2)	\$98.00	\$98.00
6	2	BLPB2	BLADE Long Low Profile Beam	\$193.00	\$386.00
7	2	BMBGS58	58" Dry-Erase Frosted Glass Divider [20" High]	\$791.00	\$1,582.00
8	2	BMBGS71	71" Dry-Erase Frosted Glass Divider [20" High]	\$953.00	\$1,906.00
9	1	BNTEC	BLADE Narrow Cable Tray End Cap	\$77.00	\$77.00
10	2	BPDR_C1	Duplex Receptacle (Configuration 1) [2 Outlets]	\$30.00	\$60.00
11	2	BPDR_C2	Duplex Receptacle (Configuration 2) [2 Outlets]	\$30.00	\$60.00
12	2	BPDR_C3	Duplex Receptacle (Configuration 3) [2 Outlets]	\$30.00	\$60.00
13	2	BPDR_T24_C4	Duplex Receptacle (Configuration 4) [2 Outlets, Title 24 Compliant]	\$30.00	\$60.00
14	1	BPIF72	60" In-Feed	\$384.00	\$384.00
15	1	BPJ42	42" Jumper	\$259.00	\$259.00
16	12	BSB9	Divider Bracket (Version 9) [Includes Shims]	\$54.00	\$648.00
17	2	BSBBF	Steel Mobile Box/Box/File Pedestal [22" High]	\$781.00	\$1,562.00
18	2	GB2448	24"x48" Surface [1" Thick, Includes 2 Pre-Installed Grommets] - FAST	\$363.00	\$726.00
19	2	GB3066	30"x66" Surface [1" Thick, Includes 2 Pre-Installed Grommets] - FAST	\$632.00	\$1,264.00
20	2	GS1915	19"x15" Pedestal Cushion [Square Corners] - FAST	\$201.00	\$402.00
21	2	KIT-CTXN	BLADE Narrow Surface-Mount Cable Tray [Includes Risers & Faceplates]	\$282.00	\$564.00
22	2	KIT-HARNESSBLADE	36" Harness [Requires 4 Duplex Receptacles, 8 Outlets]	\$447.00	\$894.00
				Total Clear Design	\$12,799.00

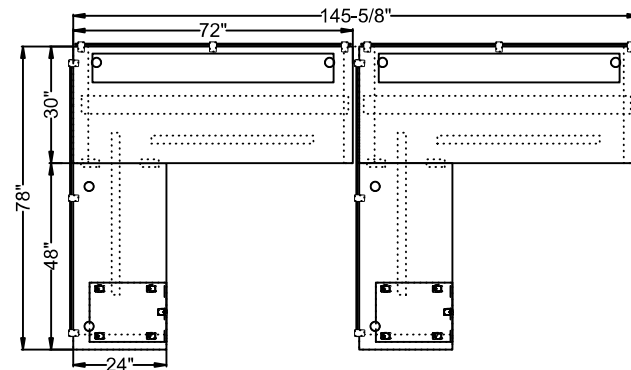
B3072SBL2442-2



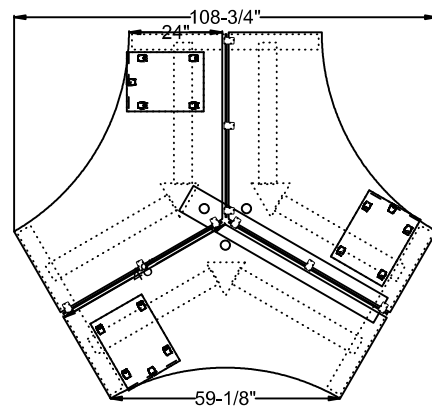
#	Quantity	Part Number	Description	List	Ext. List
Clear Design					
1	4	BASB72	42" Support Bar	\$173.00	\$692.00
2	4	BFB1	Flat Bracket	\$8.00	\$32.00
3	2	BL24	BLADE 24" End Leg [27.375" High]	\$278.00	\$556.00
4	3	BL30	BLADE 30" End Leg [27.375" High]	\$291.00	\$873.00
5	1	BLC1	BLADE Leg Connecting Bracket (V2)	\$98.00	\$98.00
6	2	BLPB2	BLADE Long Low Profile Beam	\$193.00	\$386.00
7	4	BMBGS71	71" Dry-Erase Frosted Glass Divider [20" High]	\$953.00	\$3,812.00
8	1	BNTEC	BLADE Narrow Cable Tray End Cap	\$77.00	\$77.00
9	2	BPDR_C1	Duplex Receptacle (Configuration 1) [2 Outlets]	\$30.00	\$60.00
10	2	BPDR_C2	Duplex Receptacle (Configuration 2) [2 Outlets]	\$30.00	\$60.00
11	2	BPDR_C3	Duplex Receptacle (Configuration 3) [2 Outlets]	\$30.00	\$60.00
12	2	BPDR_T24_C4	Duplex Receptacle (Configuration 4) [2 Outlets, Title 24 Compliant]	\$30.00	\$60.00
13	1	BPIF72	60" In-Feed	\$384.00	\$384.00
14	1	BPJ42	42" Jumper	\$259.00	\$259.00
15	12	BSB9	Divider Bracket (Version 9) [Includes Shims]	\$54.00	\$648.00
16	2	BSBBF	Steel Mobile Box/Box/File Pedestal [22" High]	\$781.00	\$1,562.00
17	2	GB2442	24"x42" Cross-Grain Surface [1" Thick, Includes 1 Pre-Installed Grommet] - FAST	\$317.00	\$634.00
18	2	GB3072	30"x72" Surface [1" Thick, Includes 2 Pre-Installed Grommets] - FAST	\$660.00	\$1,320.00
19	2	GS1915	19"x15" Pedestal Cushion [Square Corners] - FAST	\$201.00	\$402.00
20	2	KIT-CTXN	BLADE Narrow Surface-Mount Cable Tray [Includes Risers & Faceplates]	\$282.00	\$564.00
21	2	KIT-HARNESSBLADE	36" Harness [Requires 4 Duplex Receptacles, 8 Outlets]	\$447.00	\$894.00

Total Clear Design \$13,433.00

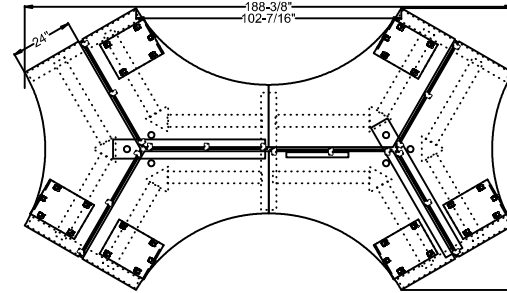
# B3072SBL2448-2



#	Quantity	Part Number	Description	List	Ext. List
Clear Design					
1	4	BASB72	42" Support Bar	\$173.00	\$692.00
2	4	BFB1	Flat Bracket	\$8.00	\$32.00
3	2	BL24	BLADE 24" End Leg [27.375" High]	\$278.00	\$556.00
4	3	BL30	BLADE 30" End Leg [27.375" High]	\$291.00	\$873.00
5	1	BLC1	BLADE Leg Connecting Bracket (V2)	\$98.00	\$98.00
6	2	BLPB2	BLADE Long Low Profile Beam	\$193.00	\$386.00
7	4	BMBGS71	71" Dry-Erase Frosted Glass Divider [20" High]	\$953.00	\$3,812.00
8	1	BNTEC	BLADE Narrow Cable Tray End Cap	\$77.00	\$77.00
9	2	BPDR_C1	Duplex Receptacle (Configuration 1) [2 Outlets]	\$30.00	\$60.00
10	2	BPDR_C2	Duplex Receptacle (Configuration 2) [2 Outlets]	\$30.00	\$60.00
11	2	BPDR_C3	Duplex Receptacle (Configuration 3) [2 Outlets]	\$30.00	\$60.00
12	2	BPDR_T24_C4	Duplex Receptacle (Configuration 4) [2 Outlets, Title 24 Compliant]	\$30.00	\$60.00
13	1	BPIF72	60" In-Feed	\$384.00	\$384.00
14	1	BPJ42	42" Jumper	\$259.00	\$259.00
15	12	BSB9	Divider Bracket (Version 9) [Includes Shims]	\$54.00	\$648.00
16	2	BSBBF	Steel Mobile Box/Box/File Pedestal [22" High]	\$781.00	\$1,562.00
17	2	GB2448	24"x48" Surface [1" Thick, Includes 2 Pre-Installed Grommets] - FAST	\$363.00	\$726.00
18	2	GB3072	30"x72" Surface [1" Thick, Includes 2 Pre-Installed Grommets] - FAST	\$660.00	\$1,320.00
19	2	GS1915	19"x15" Pedestal Cushion [Square Corners] - FAST	\$201.00	\$402.00
20	2	KIT-CTXN	BLADE Narrow Surface-Mount Cable Tray [Includes Risers & Faceplates]	\$282.00	\$564.00
21	2	KIT-HARNESSBLADE	36" Harness [Requires 4 Duplex Receptacles, 8 Outlets]	\$447.00	\$894.00
				Total Clear Design \$13,525.00	

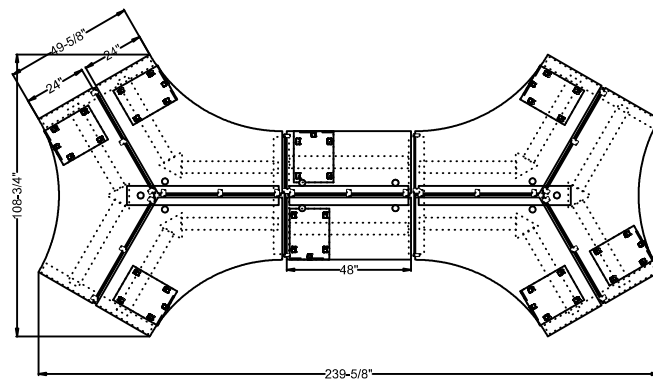


#	Quantity	Part Number	Description	List	Ext. List
Clear Design					
1	3	BL48	BLADE 48" End Leg [27.375" High]	\$416.00	\$1,248.00
2	6	BLPB1	BLADE Short Low Profile Beam	\$132.00	\$792.00
3	3	BMBGS47	47" Dry-Erase Frosted Glass Divider [20" High]	\$665.00	\$1,995.00
4	1	BNTEC	BLADE Narrow Cable Tray End Cap	\$77.00	\$77.00
5	2	BPDR_C1	Duplex Receptacle (Configuration 1) [2 Outlets]	\$30.00	\$60.00
6	2	BPDR_C2	Duplex Receptacle (Configuration 2) [2 Outlets]	\$30.00	\$60.00
7	2	BPDR_C3	Duplex Receptacle (Configuration 3) [2 Outlets]	\$30.00	\$60.00
8	2	BPDR_T24_C4	Duplex Receptacle (Configuration 4) [2 Outlets, Title 24 Compliant]	\$30.00	\$60.00
9	1	BPIF72	60" In-Feed	\$384.00	\$384.00
10	9	BSB9	Divider Bracket (Version 9) [Includes Shims]	\$54.00	\$486.00
11	3	BSBBF	Steel Mobile Box/Box/File Pedestal [22" High]	\$781.00	\$2,343.00
12	3	GB120V2	120 Degree Surface (V2) [1" Thick, Includes 1 Pre-Installed Grommet] - FAST	\$1,008.00	\$3,024.00
13	3	GS1915	19"x15" Pedestal Cushion [Square Corners] - FAST	\$201.00	\$603.00
14	3	KIT-120	BLADE 120 Degree Leg [27.5" High, Includes Triangular Box]	\$173.00	\$519.00
15	1	KIT-CTXN120	BLADE Narrow 120 Degree Leg-Mount Cable Tray [Includes Risers & Faceplates]	\$331.00	\$331.00
16	1	KIT-HARNES-8	BLADE 36" Harness [Requires 8 Duplex Receptacles, 16 Outlets, For 120 Degree Workstation]	\$447.00	\$447.00
				Total Clear Design	\$12,489.00

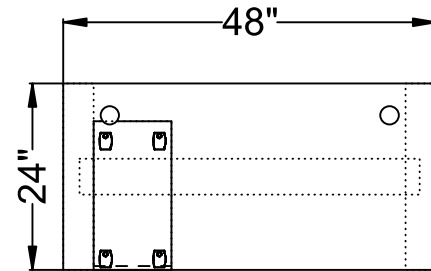


#	Quantity	Part Number	Description	List	Ext. List
Clear Design					
1	4	BL48	BLADE 48" End Leg [27.375" High]	\$416.00	\$1,664.00
2	1	BL48INT	BLADE 48" Intermediate Leg [27.375" High, Expands to 60" Wide]	\$604.00	\$604.00
3	12	BLPB1	BLADE Short Low Profile Beam	\$132.00	\$1,584.00
4	6	BMBGS47	47" Dry-Erase Frosted Glass Divider [20" High]	\$665.00	\$3,990.00
5	1	BNTEC	BLADE Narrow Cable Tray End Cap	\$77.00	\$77.00
6	4	BPDR_C1	Duplex Receptacle (Configuration 1) [2 Outlets]	\$30.00	\$120.00
7	4	BPDR_C2	Duplex Receptacle (Configuration 2) [2 Outlets]	\$30.00	\$120.00
8	4	BPDR_C3	Duplex Receptacle (Configuration 3) [2 Outlets]	\$30.00	\$120.00
9	4	BPDR_T24_C4	Duplex Receptacle (Configuration 4) [2 Outlets, Title 24 Compliant]	\$30.00	\$120.00
10	1	BPIF72	60" In-Feed	\$384.00	\$384.00
11	1	BPJ72	72" Jumper	\$295.00	\$295.00
12	18	BSB9	Divider Bracket (Version 9) [Includes Shims]	\$54.00	\$972.00
13	6	BSBBF	Steel Mobile Box/Box/File Pedestal [22" High]	\$781.00	\$4,686.00
14	1	BWMJC.24	24" Cable J-Channel	\$93.00	\$93.00
15	6	GB120V2	120 Degree Surface (V2) [1" Thick, Includes 1 Pre-Installed Grommet] - FAST	\$1,008.00	\$6,048.00
16	6	GS1915	19"x15" Pedestal Cushion [Square Corners] - FAST	\$201.00	\$1,206.00
17	6	KIT-120	BLADE 120 Degree Leg [27.5" High, Includes Triangular Box]	\$173.00	\$1,038.00
18	2	KIT-CTXN120	BLADE Narrow 120 Degree Leg-Mount Cable Tray [Includes Risers & Faceplates]	\$331.00	\$662.00
19	2	KIT-HARNESS-8	BLADE 36" Harness [Requires 8 Duplex Receptacles, 16 Outlets, For 120 Degree Workstation]	\$447.00	\$894.00
				Total Clear Design	\$24,677.00

B120-8-DB



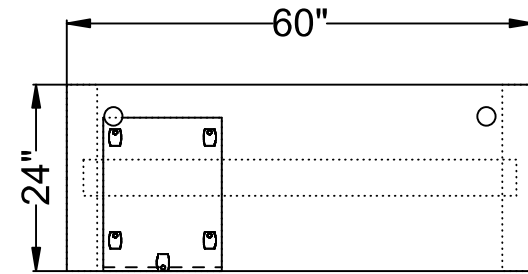
#	Quantity	Part Number	Description	List	Ext. List
Clear Design					
1	4	BL48	BLADE 48" End Leg [27.375" High]	\$416.00	\$1,664.00
2	2	BL48INT	BLADE 48" Intermediate Leg [27.375" High, Expands to 60" Wide]	\$604.00	\$1,208.00
3	12	BLPB1	BLADE Short Low Profile Beam	\$132.00	\$1,584.00
4	2	BLPB2	BLADE Long Low Profile Beam	\$193.00	\$386.00
5	9	BMBGS47	47" Dry-Erase Frosted Glass Divider [20" High]	\$665.00	\$5,985.00
6	1	BNTEC	BLADE Narrow Cable Tray End Cap	\$77.00	\$77.00
7	4	BPDR_C1	Duplex Receptacle (Configuration 1) [2 Outlets]	\$30.00	\$120.00
8	4	BPDR_C2	Duplex Receptacle (Configuration 2) [2 Outlets]	\$30.00	\$120.00
9	4	BPDR_C3	Duplex Receptacle (Configuration 3) [2 Outlets]	\$30.00	\$120.00
10	4	BPDR_T24_C4	Duplex Receptacle (Configuration 4) [2 Outlets, Title 24 Compliant]	\$30.00	\$120.00
11	1	BPIF164	164" In-Feed	\$626.00	\$626.00
12	2	BPJ29	29" Jumper	\$259.00	\$518.00
13	23	BSB9	Divider Bracket (Version 9) [Includes Shims]	\$54.00	\$1,242.00
14	8	BSBBF	Steel Mobile Box/Box/File Pedestal [22" High]	\$781.00	\$6,248.00
15	4	BSLM9	Slim Divider Bracket (Version 9) [Includes Shims]	\$54.00	\$216.00
16	6	GB120V2	120 Degree Surface (V2) [1" Thick, Includes 1 Pre-Installed Grommet] - FAST	\$1,008.00	\$6,048.00
17	2	GB2448	24"x48" Surface [1" Thick, Includes 2 Pre-Installed Grommets] - FAST	\$363.00	\$726.00
18	8	GS1915	19"x15" Pedestal Cushion [Square Corners] - FAST	\$201.00	\$1,608.00
19	6	KIT-120	BLADE 120 Degree Leg [27.5" High, Includes Triangular Box]	\$173.00	\$1,038.00
20	1	KIT-CTXN120	BLADE Narrow 120 Degree Leg-Mount Cable Tray [Includes Risers & Faceplates]	\$331.00	\$331.00
21	2	KIT-CTXNL	BLADE Narrow Leg-Mount Cable Tray [Includes Risers & Faceplates]	\$282.00	\$564.00
22	1	KIT-HARNESS	BLADE 36" Harness [Requires 4 Duplex Receptacles, 8 Outlets]	\$447.00	\$447.00
23	1	KIT-HARNESS-4	BLADE 18" Harness [Requires 4 Duplex Receptacles, 8 Outlets]	\$447.00	\$447.00
24	1	KIT-HARNESS-8	BLADE 36" Harness [Requires 8 Duplex Receptacles, 16 Outlets, For 120 Degree Workstation]	\$447.00	\$447.00
				Total Clear Design	\$31,890.00



#	Quantity	Part Number	Description	List	Ext. List
Clear Design					
1	1	BFSLM	Steel Mobile Box/File Slim Pedestal	\$728.00	\$728.00
2	2	BL24	BLADE 24" End Leg [27.375" High]	\$278.00	\$556.00
3	1	BLPB2	BLADE Long Low Profile Beam	\$193.00	\$193.00
4	1	BWM36	Benching Wire Manager, 36" Wide	\$125.00	\$125.00
5	1	GB2448	24"x48" Surface [1" Thick, Includes 2 Pre-Installed Grommets] - FAST	\$363.00	\$363.00
6	1	GS1910	19"x10" Slim Pedestal Cushion [Square Corners] - FAST	\$173.00	\$173.00
				Total Clear Design \$2,138.00	



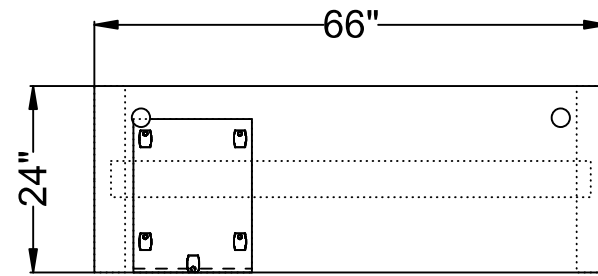
BSW2460



#	Quantity	Part Number	Description	List	Ext. List
Clear Design					
1	1	BB3	BLADE Extra Long Beam	\$290.00	\$290.00
2	2	BL24	BLADE 24" End Leg [27.375" High]	\$278.00	\$556.00
3	1	BSBBF	Steel Mobile Box/Box/File Pedestal [22" High]	\$781.00	\$781.00
4	1	BWM36	Benching Wire Manager, 36" Wide	\$125.00	\$125.00
5	1	GB2460	24"x60" Surface [1" Thick, Includes 2 Pre-Installed Grommets] - FAST	\$450.00	\$450.00
6	1	GS1915	19"x15" Pedestal Cushion [Square Corners] - FAST	\$201.00	\$201.00
				Total Clear Design \$2,403.00	



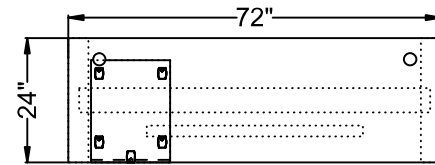
BSW2466



#	Quantity	Part Number	Description	List	Ext. List
Clear Design					
1	1	BB3	BLADE Extra Long Beam	\$290.00	\$290.00
2	2	BL24	BLADE 24" End Leg [27.375" High]	\$278.00	\$556.00
3	1	BSBBF	Steel Mobile Box/Box/File Pedestal [22" High]	\$781.00	\$781.00
4	1	BWM36	Benching Wire Manager, 36" Wide	\$125.00	\$125.00
5	1	GB2466	24"x66" Surface [1" Thick, Includes 2 Pre-Installed Grommets] - FAST	\$494.00	\$494.00
6	1	GS1915	19"x15" Pedestal Cushion [Square Corners] - FAST	\$201.00	\$201.00
				Total Clear Design \$2,447.00	



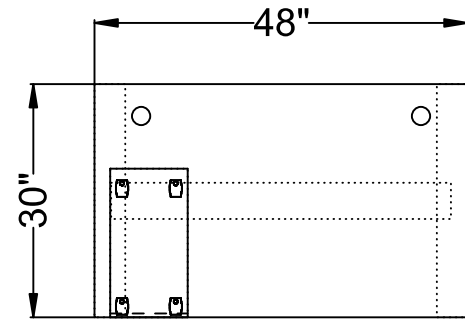
BSW2472



#	Quantity	Part Number	Description	List	Ext. List
Clear Design					
1	1	BASB72	42" Support Bar	\$173.00	\$173.00
2	1	BB3	BLADE Extra Long Beam	\$290.00	\$290.00
3	2	BL24	BLADE 24" End Leg [27.375" High]	\$278.00	\$556.00
4	1	BSBBF	Steel Mobile Box/Box/File Pedestal [22" High]	\$781.00	\$781.00
5	1	BWM36	Benching Wire Manager, 36" Wide	\$125.00	\$125.00
6	1	GB2472	24"x72" Surface [1" Thick, Includes 2 Pre-Installed Grommets] - FAST	\$532.00	\$532.00
7	1	GS1915	19"x15" Pedestal Cushion [Square Corners] - FAST	\$201.00	\$201.00
				Total Clear Design \$2,658.00	



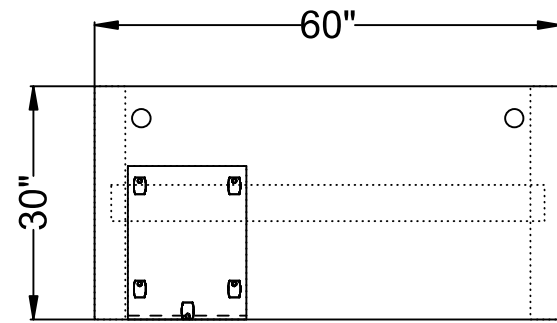
BSW3048



#	Quantity	Part Number	Description	List	Ext. List
Clear Design					
1	1	BFSLM	Steel Mobile Box/File Slim Pedestal	\$728.00	\$728.00
2	2	BL30	BLADE 30" End Leg [27.375" High]	\$291.00	\$582.00
3	1	BLPB2	BLADE Long Low Profile Beam	\$193.00	\$193.00
4	1	BWM36	Benching Wire Manager, 36" Wide	\$125.00	\$125.00
5	1	GB3048	30"x48" Surface [1" Thick, Includes 2 Pre-Installed Grommets] - FAST	\$450.00	\$450.00
6	1	GS1910	19"x10" Slim Pedestal Cushion [Square Corners] - FAST	\$173.00	\$173.00
				Total Clear Design	
				\$2,251.00	



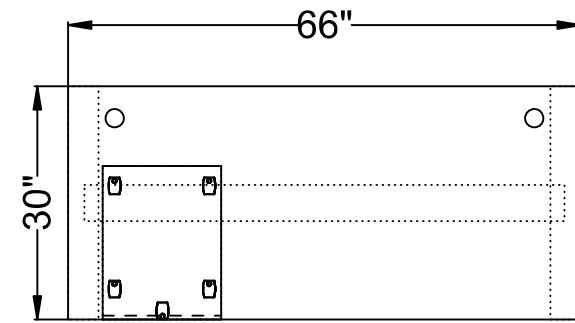
BSW3060



#	Quantity	Part Number	Description	List	Ext. List
Clear Design					
1	1	BB3	BLADE Extra Long Beam	\$290.00	\$290.00
2	2	BL30	BLADE 30" End Leg [27.375" High]	\$291.00	\$582.00
3	1	BSBBF	Steel Mobile Box/Box/File Pedestal [22" High]	\$781.00	\$781.00
4	1	BWM36	Benching Wire Manager, 36" Wide	\$125.00	\$125.00
5	1	GB3060	30"x60" Surface [1" Thick, Includes 2 Pre-Installed Grommets] - FAST	\$575.00	\$575.00
6	1	GS1915	19"x15" Pedestal Cushion [Square Corners] - FAST	\$201.00	\$201.00
				Total Clear Design \$2,554.00	



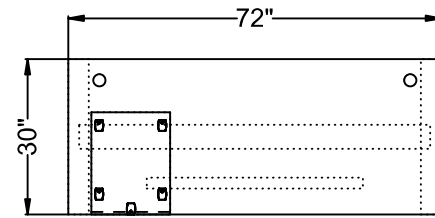
BSW3066



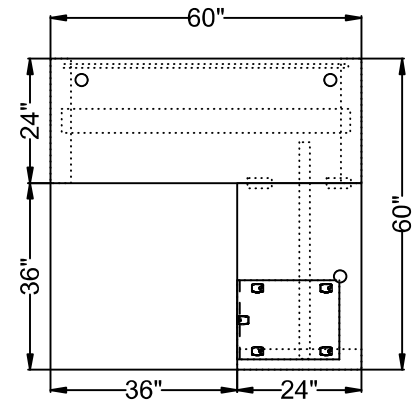
#	Quantity	Part Number	Description	List	Ext. List
Clear Design					
1	1	BB3	BLADE Extra Long Beam	\$290.00	\$290.00
2	2	BL30	BLADE 30" End Leg [27.375" High]	\$291.00	\$582.00
3	1	BSBBF	Steel Mobile Box/Box/File Pedestal [22" High]	\$781.00	\$781.00
4	1	BWM36	Benching Wire Manager, 36" Wide	\$125.00	\$125.00
5	1	GB3066	30"x66" Surface [1" Thick, Includes 2 Pre-Installed Grommets] - FAST	\$632.00	\$632.00
6	1	GS1915	19"x15" Pedestal Cushion [Square Corners] - FAST	\$201.00	\$201.00
				Total Clear Design	
				\$2,611.00	



BSW3072

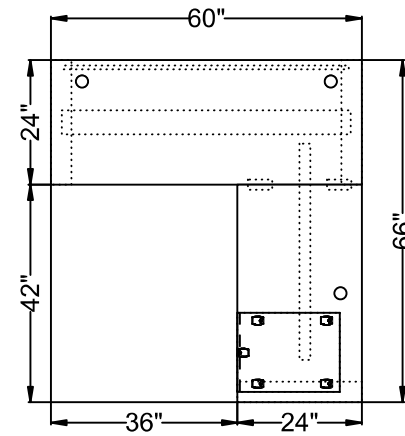


#	Quantity	Part Number	Description	List	Ext. List
Clear Design					
1	1	BASB72	42" Support Bar	\$173.00	\$173.00
2	1	BB3	BLADE Extra Long Beam	\$290.00	\$290.00
3	2	BL30	BLADE 30" End Leg [27.375" High]	\$291.00	\$582.00
4	1	BSBBF	Steel Mobile Box/Box/File Pedestal [22" High]	\$781.00	\$781.00
5	1	BWM36	Benching Wire Manager, 36" Wide	\$125.00	\$125.00
6	1	GB3072	30"x72" Surface [1" Thick, Includes 2 Pre-Installed Grommets] - FAST	\$660.00	\$660.00
7	1	GS1915	19"x15" Pedestal Cushion [Square Corners] - FAST	\$201.00	\$201.00
				Total Clear Design	\$2,812.00



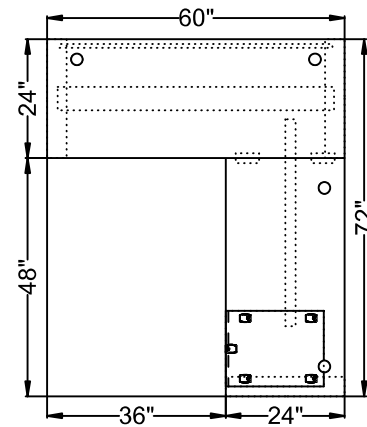
#	Quantity	Part Number	Description	List	Ext. List
Clear Design					
1	1	BASB72	42" Support Bar	\$173.00	\$173.00
2	1	BB3	BLADE Extra Long Beam	\$290.00	\$290.00
3	2	BFB1	Flat Bracket	\$8.00	\$16.00
4	3	BL24	BLADE 24" End Leg [27.375" High]	\$278.00	\$834.00
5	1	BMP55V2	55" Steel Modesty Panel (V2) [15" High, Includes Brackets, For 60" & 66" Surfaces]	\$300.00	\$300.00
6	1	BSBBF	Steel Mobile Box/Box/File Pedestal [22" High]	\$781.00	\$781.00
7	1	BWM36	Benching Wire Manager, 36" Wide	\$125.00	\$125.00
8	1	GB2436	24"x36" Cross-Grain Surface [1" Thick, Includes 1 Pre-Installed Grommet] - FAST	\$302.00	\$302.00
9	1	GB2460	24"x60" Surface [1" Thick, Includes 2 Pre-Installed Grommets] - FAST	\$450.00	\$450.00
10	1	GS1915	19"x15" Pedestal Cushion [Square Corners] - FAST	\$201.00	\$201.00
				Total Clear Design \$3,472.00	

BLD2460R2442



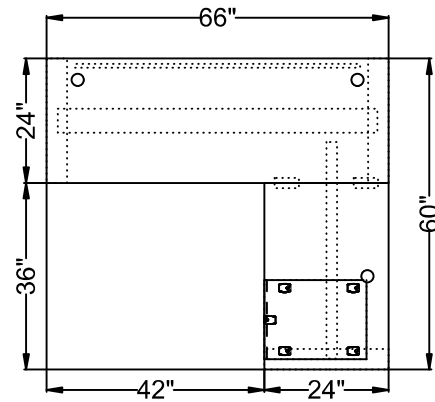
#	Quantity	Part Number	Description	List	Ext. List
Clear Design					
1	1	BASB72	42" Support Bar	\$173.00	\$173.00
2	1	BB3	BLADE Extra Long Beam	\$290.00	\$290.00
3	2	BFB1	Flat Bracket	\$8.00	\$16.00
4	3	BL24	BLADE 24" End Leg [27.375" High]	\$278.00	\$834.00
5	1	BMP55V2	55" Steel Modesty Panel (V2) [15" High, Includes Brackets, For 60" & 66" Surfaces]	\$300.00	\$300.00
6	1	BSBBF	Steel Mobile Box/Box/File Pedestal [22" High]	\$781.00	\$781.00
7	1	BWM36	Benching Wire Manager, 36" Wide	\$125.00	\$125.00
8	1	GB2442	24"x42" Cross-Grain Surface [1" Thick, Includes 1 Pre-Installed Grommet] - FAST	\$317.00	\$317.00
9	1	GB2460	24"x60" Surface [1" Thick, Includes 2 Pre-Installed Grommets] - FAST	\$450.00	\$450.00
10	1	GS1915	19"x15" Pedestal Cushion [Square Corners] - FAST	\$201.00	\$201.00
				Total Clear Design \$3,487.00	

BLD2460R2448

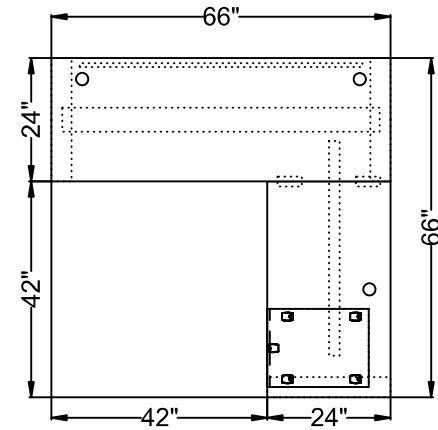


#	Quantity	Part Number	Description	List	Ext. List
Clear Design					
1	1	BASB72	42" Support Bar	\$173.00	\$173.00
2	1	BB3	BLADE Extra Long Beam	\$290.00	\$290.00
3	2	BFB1	Flat Bracket	\$8.00	\$16.00
4	3	BL24	BLADE 24" End Leg [27.375" High]	\$278.00	\$834.00
5	1	BMP55V2	55" Steel Modesty Panel (V2) [15" High, Includes Brackets, For 60" & 66" Surfaces]	\$300.00	\$300.00
6	1	BSBBF	Steel Mobile Box/Box/File Pedestal [22" High]	\$781.00	\$781.00
7	1	BWM36	Benching Wire Manager, 36" Wide	\$125.00	\$125.00
8	1	GB2448	24"x48" Surface [1" Thick, Includes 2 Pre-Installed Grommets] - FAST	\$363.00	\$363.00
9	1	GB2460	24"x60" Surface [1" Thick, Includes 2 Pre-Installed Grommets] - FAST	\$450.00	\$450.00
10	1	GS1915	19"x15" Pedestal Cushion [Square Corners] - FAST	\$201.00	\$201.00
				Total Clear Design \$3,533.00	

BLD2466R2436

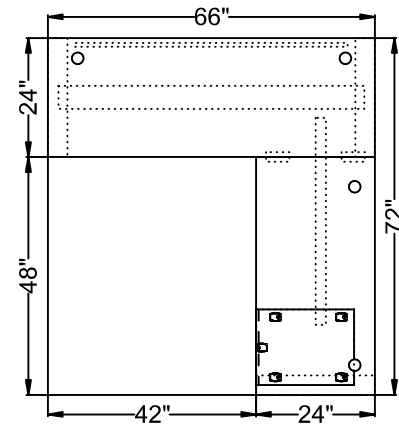


#	Quantity	Part Number	Description	List	Ext. List
Clear Design					
1	1	BASB72	42" Support Bar	\$173.00	\$173.00
2	1	BB3	BLADE Extra Long Beam	\$290.00	\$290.00
3	2	BFB1	Flat Bracket	\$8.00	\$16.00
4	3	BL24	BLADE 24" End Leg [27.375" High]	\$278.00	\$834.00
5	1	BMP55V2	55" Steel Modesty Panel (V2) [15" High, Includes Brackets, For 60" & 66" Surfaces]	\$300.00	\$300.00
6	1	BSBBF	Steel Mobile Box/Box/File Pedestal [22" High]	\$781.00	\$781.00
7	1	BWM36	Benching Wire Manager, 36" Wide	\$125.00	\$125.00
8	1	GB2436	24"x36" Cross-Grain Surface [1" Thick, Includes 1 Pre-Installed Grommet] - FAST	\$302.00	\$302.00
9	1	GB2466	24"x66" Surface [1" Thick, Includes 2 Pre-Installed Grommets] - FAST	\$494.00	\$494.00
10	1	GS1915	19"x15" Pedestal Cushion [Square Corners] - FAST	\$201.00	\$201.00
				Total Clear Design \$3,516.00	

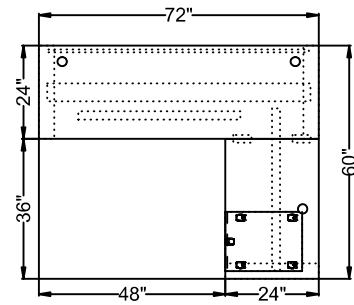


#	Quantity	Part Number	Description	List	Ext. List
Clear Design					
1	1	BASB72	42" Support Bar	\$173.00	\$173.00
2	1	BB3	BLADE Extra Long Beam	\$290.00	\$290.00
3	2	BFB1	Flat Bracket	\$8.00	\$16.00
4	3	BL24	BLADE 24" End Leg [27.375" High]	\$278.00	\$834.00
5	1	BMP55V2	55" Steel Modesty Panel (V2) [15" High, Includes Brackets, For 60" & 66" Surfaces]	\$300.00	\$300.00
6	1	BSBBF	Steel Mobile Box/Box/File Pedestal [22" High]	\$781.00	\$781.00
7	1	BWM36	Benching Wire Manager, 36" Wide	\$125.00	\$125.00
8	1	GB2442	24"x42" Cross-Grain Surface [1" Thick, Includes 1 Pre-Installed Grommet] - FAST	\$317.00	\$317.00
9	1	GB2466	24"x66" Surface [1" Thick, Includes 2 Pre-Installed Grommets] - FAST	\$494.00	\$494.00
10	1	GS1915	19"x15" Pedestal Cushion [Square Corners] - FAST	\$201.00	\$201.00
				Total Clear Design \$3,531.00	

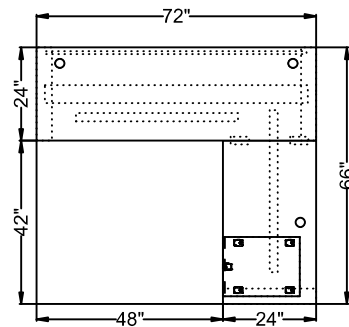
BLD2466R2448



#	Quantity	Part Number	Description	List	Ext. List
Clear Design					
1	1	BASB72	42" Support Bar	\$173.00	\$173.00
2	1	BB3	BLADE Extra Long Beam	\$290.00	\$290.00
3	2	BFB1	Flat Bracket	\$8.00	\$16.00
4	3	BL24	BLADE 24" End Leg [27.375" High]	\$278.00	\$834.00
5	1	BMP55V2	55" Steel Modesty Panel (V2) [15" High, Includes Brackets, For 60" & 66" Surfaces]	\$300.00	\$300.00
6	1	BSBBF	Steel Mobile Box/Box/File Pedestal [22" High]	\$781.00	\$781.00
7	1	BWM36	Benching Wire Manager, 36" Wide	\$125.00	\$125.00
8	1	GB2448	24"x48" Surface [1" Thick, Includes 2 Pre-Installed Grommets] - FAST	\$363.00	\$363.00
9	1	GB2466	24"x66" Surface [1" Thick, Includes 2 Pre-Installed Grommets] - FAST	\$494.00	\$494.00
10	1	GS1915	19"x15" Pedestal Cushion [Square Corners] - FAST	\$201.00	\$201.00
				Total Clear Design \$3,577.00	

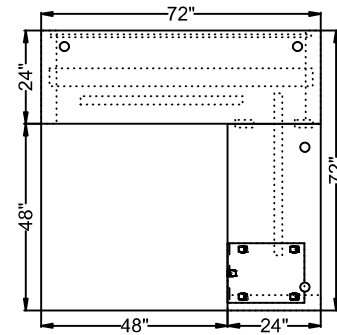


#	Quantity	Part Number	Description	List	Ext. List
Clear Design					
1	2	BASB72	42" Support Bar	\$173.00	\$346.00
2	1	BB3	BLADE Extra Long Beam	\$290.00	\$290.00
3	2	BFB1	Flat Bracket	\$8.00	\$16.00
4	3	BL24	BLADE 24" End Leg [27.375" High]	\$278.00	\$834.00
5	1	BMP67V2	67" Steel Modesty Panel (V2) [15" High, Includes Brackets, For 72" Surfaces]	\$339.00	\$339.00
6	1	BSBBF	Steel Mobile Box/Box/File Pedestal [22" High]	\$781.00	\$781.00
7	1	BWM36	Benching Wire Manager, 36" Wide	\$125.00	\$125.00
8	1	GB2436	24"x36" Cross-Grain Surface [1" Thick, Includes 1 Pre-Installed Grommet] - FAST	\$302.00	\$302.00
9	1	GB2472	24"x72" Surface [1" Thick, Includes 2 Pre-Installed Grommets] - FAST	\$532.00	\$532.00
10	1	GS1915	19"x15" Pedestal Cushion [Square Corners] - FAST	\$201.00	\$201.00
				Total Clear Design \$3,766.00	

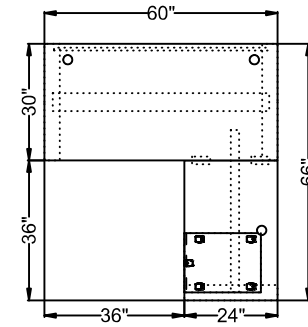


#	Quantity	Part Number	Description	List	Ext. List
Clear Design					
1	2	BASB72	42" Support Bar	\$173.00	\$346.00
2	1	BB3	BLADE Extra Long Beam	\$290.00	\$290.00
3	2	BFB1	Flat Bracket	\$8.00	\$16.00
4	3	BL24	BLADE 24" End Leg [27.375" High]	\$278.00	\$834.00
5	1	BMP67V2	67" Steel Modesty Panel (V2) [15" High, Includes Brackets, For 72" Surfaces]	\$339.00	\$339.00
6	1	BSBBF	Steel Mobile Box/Box/File Pedestal [22" High]	\$781.00	\$781.00
7	1	BWM36	Benching Wire Manager, 36" Wide	\$125.00	\$125.00
8	1	GB2442	24"x42" Cross-Grain Surface [1" Thick, Includes 1 Pre-Installed Grommet] - FAST	\$317.00	\$317.00
9	1	GB2472	24"x72" Surface [1" Thick, Includes 2 Pre-Installed Grommets] - FAST	\$532.00	\$532.00
10	1	GS1915	19"x15" Pedestal Cushion [Square Corners] - FAST	\$201.00	\$201.00
				Total Clear Design \$3,781.00	

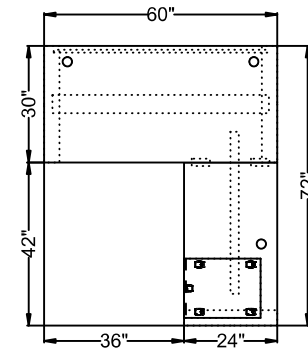
BLD2472R2448



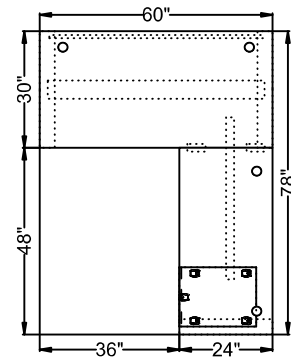
#	Quantity	Part Number	Description	List	Ext. List
Clear Design					
1	2	BASB72	42" Support Bar	\$173.00	\$346.00
2	1	BB3	BLADE Extra Long Beam	\$290.00	\$290.00
3	2	BFB1	Flat Bracket	\$8.00	\$16.00
4	3	BL24	BLADE 24" End Leg [27.375" High]	\$278.00	\$834.00
5	1	BMP67V2	67" Steel Modesty Panel (V2) [15" High, Includes Brackets, For 72" Surfaces]	\$339.00	\$339.00
6	1	BSBBF	Steel Mobile Box/Box/File Pedestal [22" High]	\$781.00	\$781.00
7	1	BWM36	Benching Wire Manager, 36" Wide	\$125.00	\$125.00
8	1	GB2448	24"x48" Surface [1" Thick, Includes 2 Pre-Installed Grommets] - FAST	\$363.00	\$363.00
9	1	GB2472	24"x72" Surface [1" Thick, Includes 2 Pre-Installed Grommets] - FAST	\$532.00	\$532.00
10	1	GS1915	19"x15" Pedestal Cushion [Square Corners] - FAST	\$201.00	\$201.00
				Total Clear Design \$3,827.00	



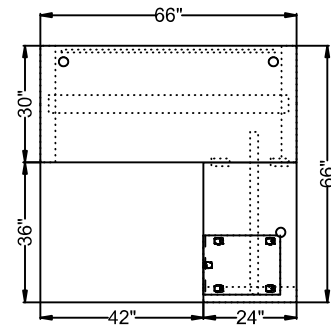
#	Quantity	Part Number	Description	List	Ext. List
Clear Design					
1	1	BASB72	42" Support Bar	\$173.00	\$173.00
2	1	BB3	BLADE Extra Long Beam	\$290.00	\$290.00
3	2	BFB1	Flat Bracket	\$8.00	\$16.00
4	1	BL24	BLADE 24" End Leg [27.375" High]	\$278.00	\$278.00
5	2	BL30	BLADE 30" End Leg [27.375" High]	\$291.00	\$582.00
6	1	BMP55V2	55" Steel Modesty Panel (V2) [15" High, Includes Brackets, For 60" & 66" Surfaces]	\$300.00	\$300.00
7	1	BSBBF	Steel Mobile Box/Box/File Pedestal [22" High]	\$781.00	\$781.00
8	1	BWM36	Benching Wire Manager, 36" Wide	\$125.00	\$125.00
9	1	GB2436	24"x36" Cross-Grain Surface [1" Thick, Includes 1 Pre-Installed Grommet] - FAST	\$302.00	\$302.00
10	1	GB3060	30"x60" Surface [1" Thick, Includes 2 Pre-Installed Grommets] - FAST	\$575.00	\$575.00
11	1	GS1915	19"x15" Pedestal Cushion [Square Corners] - FAST	\$201.00	\$201.00
				Total Clear Design \$3,623.00	



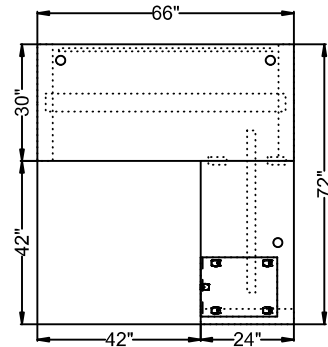
#	Quantity	Part Number	Description	List	Ext. List
Clear Design					
1	1	BASB72	42" Support Bar	\$173.00	\$173.00
2	1	BB3	BLADE Extra Long Beam	\$290.00	\$290.00
3	2	BFB1	Flat Bracket	\$8.00	\$16.00
4	1	BL24	BLADE 24" End Leg [27.375" High]	\$278.00	\$278.00
5	2	BL30	BLADE 30" End Leg [27.375" High]	\$291.00	\$582.00
6	1	BMP55V2	55" Steel Modesty Panel (V2) [15" High, Includes Brackets, For 60" & 66" Surfaces]	\$300.00	\$300.00
7	1	BSBBF	Steel Mobile Box/Box/File Pedestal [22" High]	\$781.00	\$781.00
8	1	BWM36	Benching Wire Manager, 36" Wide	\$125.00	\$125.00
9	1	GB2442	24"x42" Cross-Grain Surface [1" Thick, Includes 1 Pre-Installed Grommet] - FAST	\$317.00	\$317.00
10	1	GB3060	30"x60" Surface [1" Thick, Includes 2 Pre-Installed Grommets] - FAST	\$575.00	\$575.00
11	1	GS1915	19"x15" Pedestal Cushion [Square Corners] - FAST	\$201.00	\$201.00
				Total Clear Design	\$3,638.00



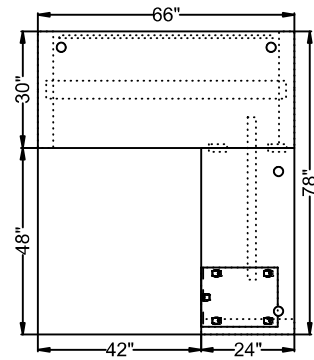
#	Quantity	Part Number	Description	List	Ext. List
Clear Design					
1	1	BASB72	42" Support Bar	\$173.00	\$173.00
2	1	BB3	BLADE Extra Long Beam	\$290.00	\$290.00
3	2	BFB1	Flat Bracket	\$8.00	\$16.00
4	1	BL24	BLADE 24" End Leg [27.375" High]	\$278.00	\$278.00
5	2	BL30	BLADE 30" End Leg [27.375" High]	\$291.00	\$582.00
6	1	BMP55V2	55" Steel Modesty Panel (V2) [15" High, Includes Brackets, For 60" & 66" Surfaces]	\$300.00	\$300.00
7	1	BSBBF	Steel Mobile Box/Box/File Pedestal [22" High]	\$781.00	\$781.00
8	1	BWM36	Benching Wire Manager, 36" Wide	\$125.00	\$125.00
9	1	GB2448	24"x48" Surface [1" Thick, Includes 2 Pre-Installed Grommets] - FAST	\$363.00	\$363.00
10	1	GB3060	30"x60" Surface [1" Thick, Includes 2 Pre-Installed Grommets] - FAST	\$575.00	\$575.00
11	1	GS1915	19"x15" Pedestal Cushion [Square Corners] - FAST	\$201.00	\$201.00
				Total Clear Design \$3,684.00	



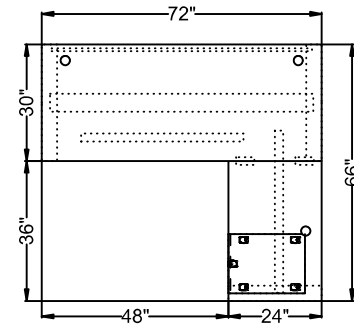
#	Quantity	Part Number	Description	List	Ext. List
Clear Design					
1	1	BASB72	42" Support Bar	\$173.00	\$173.00
2	1	BB3	BLADE Extra Long Beam	\$290.00	\$290.00
3	2	BFB1	Flat Bracket	\$8.00	\$16.00
4	1	BL24	BLADE 24" End Leg [27.375" High]	\$278.00	\$278.00
5	2	BL30	BLADE 30" End Leg [27.375" High]	\$291.00	\$582.00
6	1	BMP55V2	55" Steel Modesty Panel (V2) [15" High, Includes Brackets, For 60" & 66" Surfaces]	\$300.00	\$300.00
7	1	BSBBF	Steel Mobile Box/Box/File Pedestal [22" High]	\$781.00	\$781.00
8	1	BWM36	Benching Wire Manager, 36" Wide	\$125.00	\$125.00
9	1	GB2436	24"x36" Cross-Grain Surface [1" Thick, Includes 1 Pre-Installed Grommet] - FAST	\$302.00	\$302.00
10	1	GB3066	30"x66" Surface [1" Thick, Includes 2 Pre-Installed Grommets] - FAST	\$632.00	\$632.00
11	1	GS1915	19"x15" Pedestal Cushion [Square Corners] - FAST	\$201.00	\$201.00
				Total Clear Design \$3,680.00	



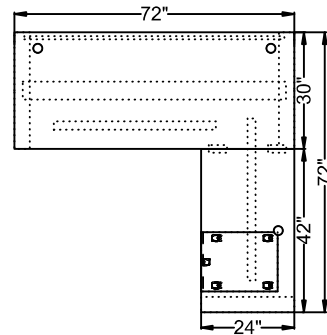
#	Quantity	Part Number	Description	List	Ext. List
Clear Design					
1	1	BASB72	42" Support Bar	\$173.00	\$173.00
2	1	BB3	BLADE Extra Long Beam	\$290.00	\$290.00
3	2	BFB1	Flat Bracket	\$8.00	\$16.00
4	1	BL24	BLADE 24" End Leg [27.375" High]	\$278.00	\$278.00
5	2	BL30	BLADE 30" End Leg [27.375" High]	\$291.00	\$582.00
6	1	BMP55V2	55" Steel Modesty Panel (V2) [15" High, Includes Brackets, For 60" & 66" Surfaces]	\$300.00	\$300.00
7	1	BSBBF	Steel Mobile Box/Box/File Pedestal [22" High]	\$781.00	\$781.00
8	1	BWM36	Benching Wire Manager, 36" Wide	\$125.00	\$125.00
9	1	GB2442	24"x42" Cross-Grain Surface [1" Thick, Includes 1 Pre-Installed Grommet] - FAST	\$317.00	\$317.00
10	1	GB3066	30"x66" Surface [1" Thick, Includes 2 Pre-Installed Grommets] - FAST	\$632.00	\$632.00
11	1	GS1915	19"x15" Pedestal Cushion [Square Corners] - FAST	\$201.00	\$201.00
				Total Clear Design	\$3,695.00



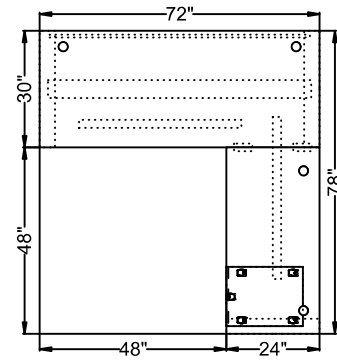
#	Quantity	Part Number	Description	List	Ext. List
Clear Design					
1	1	BASB72	42" Support Bar	\$173.00	\$173.00
2	1	BB3	BLADE Extra Long Beam	\$290.00	\$290.00
3	2	BFB1	Flat Bracket	\$8.00	\$16.00
4	1	BL24	BLADE 24" End Leg [27.375" High]	\$278.00	\$278.00
5	2	BL30	BLADE 30" End Leg [27.375" High]	\$291.00	\$582.00
6	1	BMP55V2	55" Steel Modesty Panel (V2) [15" High, Includes Brackets, For 60" & 66" Surfaces]	\$300.00	\$300.00
7	1	BSBBF	Steel Mobile Box/Box/File Pedestal [22" High]	\$781.00	\$781.00
8	1	BWM36	Benching Wire Manager, 36" Wide	\$125.00	\$125.00
9	1	GB2448	24"x48" Surface [1" Thick, Includes 2 Pre-Installed Grommets] - FAST	\$363.00	\$363.00
10	1	GB3066	30"x66" Surface [1" Thick, Includes 2 Pre-Installed Grommets] - FAST	\$632.00	\$632.00
11	1	GS1915	19"x15" Pedestal Cushion [Square Corners] - FAST	\$201.00	\$201.00
				Total Clear Design	\$3,741.00



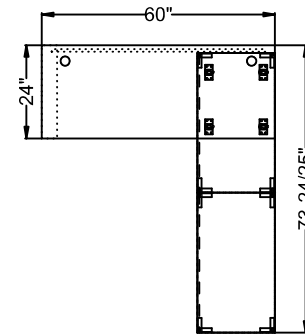
#	Quantity	Part Number	Description	List	Ext. List
Clear Design					
1	2	BASB72	42" Support Bar	\$173.00	\$346.00
2	1	BB3	BLADE Extra Long Beam	\$290.00	\$290.00
3	2	BFB1	Flat Bracket	\$8.00	\$16.00
4	1	BL24	BLADE 24" End Leg [27.375" High]	\$278.00	\$278.00
5	2	BL30	BLADE 30" End Leg [27.375" High]	\$291.00	\$582.00
6	1	BMP67V2	67" Steel Modesty Panel (V2) [15" High, Includes Brackets, For 72" Surfaces]	\$339.00	\$339.00
7	1	BSBBF	Steel Mobile Box/Box/File Pedestal [22" High]	\$781.00	\$781.00
8	1	BWM36	Benching Wire Manager, 36" Wide	\$125.00	\$125.00
9	1	GB2436	24"x36" Cross-Grain Surface [1" Thick, Includes 1 Pre-Installed Grommet] - FAST	\$302.00	\$302.00
10	1	GB3072	30"x72" Surface [1" Thick, Includes 2 Pre-Installed Grommets] - FAST	\$660.00	\$660.00
11	1	GS1915	19"x15" Pedestal Cushion [Square Corners] - FAST	\$201.00	\$201.00
				Total Clear Design \$3,920.00	



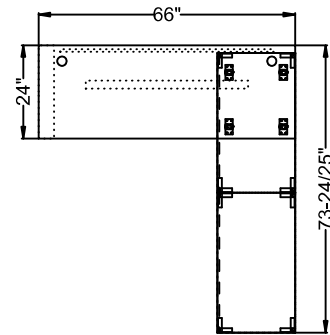
#	Quantity	Part Number	Description	List	Ext. List
Clear Design					
1	2	BASB72	42" Support Bar	\$173.00	\$346.00
2	1	BB3	BLADE Extra Long Beam	\$290.00	\$290.00
3	2	BFB1	Flat Bracket	\$8.00	\$16.00
4	1	BL24	BLADE 24" End Leg [27.375" High]	\$278.00	\$278.00
5	2	BL30	BLADE 30" End Leg [27.375" High]	\$291.00	\$582.00
6	1	BMP67V2	67" Steel Modesty Panel (V2) [15" High, Includes Brackets, For 72" Surfaces]	\$339.00	\$339.00
7	1	BSBBF	Steel Mobile Box/Box/File Pedestal [22" High]	\$781.00	\$781.00
8	1	BWM36	Benching Wire Manager, 36" Wide	\$125.00	\$125.00
9	1	GB2442	24"x42" Cross-Grain Surface [1" Thick, Includes 1 Pre-Installed Grommet] - FAST	\$317.00	\$317.00
10	1	GB3072	30"x72" Surface [1" Thick, Includes 2 Pre-Installed Grommets] - FAST	\$660.00	\$660.00
11	1	GS1915	19"x15" Pedestal Cushion [Square Corners] - FAST	\$201.00	\$201.00
				Total Clear Design \$3,935.00	



#	Quantity	Part Number	Description	List	Ext. List
Clear Design					
1	2	BASB72	42" Support Bar	\$173.00	\$346.00
2	1	BB3	BLADE Extra Long Beam	\$290.00	\$290.00
3	2	BFB1	Flat Bracket	\$8.00	\$16.00
4	1	BL24	BLADE 24" End Leg [27.375" High]	\$278.00	\$278.00
5	2	BL30	BLADE 30" End Leg [27.375" High]	\$291.00	\$582.00
6	1	BMP67V2	67" Steel Modesty Panel (V2) [15" High, Includes Brackets, For 72" Surfaces]	\$339.00	\$339.00
7	1	BSBBF	Steel Mobile Box/Box/File Pedestal [22" High]	\$781.00	\$781.00
8	1	BWM36	Benching Wire Manager, 36" Wide	\$125.00	\$125.00
9	1	GB2448	24"x48" Surface [1" Thick, Includes 2 Pre-Installed Grommets] - FAST	\$363.00	\$363.00
10	1	GB3072	30"x72" Surface [1" Thick, Includes 2 Pre-Installed Grommets] - FAST	\$660.00	\$660.00
11	1	GS1915	19"x15" Pedestal Cushion [Square Corners] - FAST	\$201.00	\$201.00
				Total Clear Design \$3,981.00	

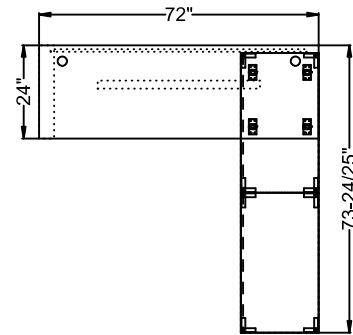


#	Quantity	Part Number	Description	List	Ext. List
Clear Design					
1	1	BL24	BLADE 24" End Leg [27.375" High]	\$278.00	\$278.00
2	1	BLLBFV2	36" Laminate Low Box/File Lateral (V2) [24.5" High] - FAST	\$1,217.00	\$1,217.00
3	1	BLLOSV2	36" Laminate Low Open Shelf Lateral (V2) [24.5" High] - FAST	\$679.00	\$679.00
4	2	BLSS	Surface Stand Kit, Set of 2 [3.5" High]	\$89.00	\$178.00
5	2	BMPBFB	3.5"x13.75" Modesty Panel L-Bracket [Includes Hardware]	\$20.00	\$40.00
6	1	BWM36	Benching Wire Manager, 36" Wide	\$125.00	\$125.00
7	1	GB2460	24"x60" Surface [1" Thick, Includes 2 Pre-Installed Grommets] - FAST	\$450.00	\$450.00
8	1	GBLLT2	72"x20" Laminate Lateral-Merging Top [1" Thick] - FAST	\$366.00	\$366.00
9	1	GLMP55V2	55" Laminate Modesty Panel (V2) [15" High, 0.75" Thick, For 60" Surfaces] - FAST	\$253.00	\$253.00
10	12	KIT-LCCB	Laminate Storage L-Bracket [For FAST/FX Laminate Top, Includes Laminate-to-Laminate Hardware]	\$0.01	\$0.12
11	2	LSF	Laminate Storage Foot, Set of 4	\$85.00	\$170.00
				Total Clear Design \$3,756.12	

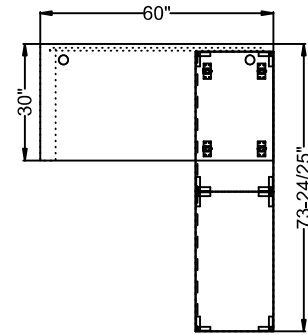


#	Quantity	Part Number	Description	List	Ext. List
Clear Design					
1	1	BASB72	42" Support Bar	\$173.00	\$173.00
2	1	BL24	BLADE 24" End Leg [27.375" High]	\$278.00	\$278.00
3	1	BLLBFV2	36" Laminate Low Box/File Lateral (V2) [24.5" High] - FAST	\$1,217.00	\$1,217.00
4	1	BLLOSV2	36" Laminate Low Open Shelf Lateral (V2) [24.5" High] - FAST	\$679.00	\$679.00
5	2	BLSS	Surface Stand Kit, Set of 2 [3.5" High]	\$89.00	\$178.00
6	2	BMPBFB	3.5"x13.75" Modesty Panel L-Bracket [Includes Hardware]	\$20.00	\$40.00
7	1	BWM36	Benching Wire Manager, 36" Wide	\$125.00	\$125.00
8	1	GB2466	24"x66" Surface [1" Thick, Includes 2 Pre-Installed Grommets] - FAST	\$494.00	\$494.00
9	1	GBLLT2	72"x20" Laminate Lateral-Merging Top [1" Thick] - FAST	\$366.00	\$366.00
10	1	GLMP55V2	55" Laminate Modesty Panel (V2) [15" High, 0.75" Thick, For 60" Surfaces] - FAST	\$253.00	\$253.00
11	12	KIT-LCCB	Laminate Storage L-Bracket [For FAST/FX Laminate Top, Includes Laminate-to-Laminate Hardware]	\$0.01	\$0.12
12	2	LSF	Laminate Storage Foot, Set of 4	\$85.00	\$170.00
				Total Clear Design \$3,973.12	

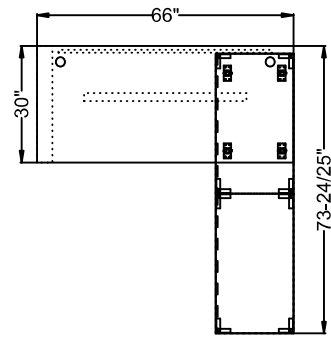
BLDLS2472



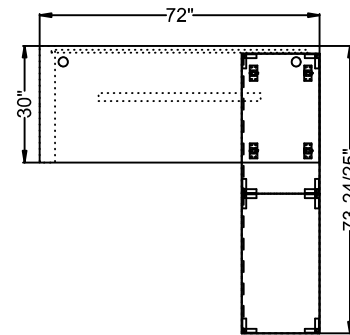
#	Quantity	Part Number	Description	List	Ext. List
Clear Design					
1	1	BASB72	42" Support Bar	\$173.00	\$173.00
2	1	BL24	BLADE 24" End Leg [27.375" High]	\$278.00	\$278.00
3	1	BLLBFV2	36" Laminate Low Box/File Lateral (V2) [24.5" High] - FAST	\$1,217.00	\$1,217.00
4	1	BLLOSV2	36" Laminate Low Open Shelf Lateral (V2) [24.5" High] - FAST	\$679.00	\$679.00
5	2	BLSS	Surface Stand Kit, Set of 2 [3.5" High]	\$89.00	\$178.00
6	2	BMPBFB	3.5"x13.75" Modesty Panel L-Bracket [Includes Hardware]	\$20.00	\$40.00
7	1	BWM36	Benching Wire Manager, 36" Wide	\$125.00	\$125.00
8	1	GB2472	24"x72" Surface [1" Thick, Includes 2 Pre-Installed Grommets] - FAST	\$532.00	\$532.00
9	1	GBLLT2	72"x20" Laminate Lateral-Merging Top [1" Thick] - FAST	\$366.00	\$366.00
10	1	GLMP66V2	66" Laminate Modesty Panel (V2) [15" High, 0.75" Thick, For 72" Surfaces] - FAST	\$297.00	\$297.00
11	12	KIT-LCCB	Laminate Storage L-Bracket [For FAST/FX Laminate Top, Includes Laminate-to-Laminate Hardware]	\$0.01	\$0.12
12	2	LSF	Laminate Storage Foot, Set of 4	\$85.00	\$170.00
				Total Clear Design \$4,055.12	



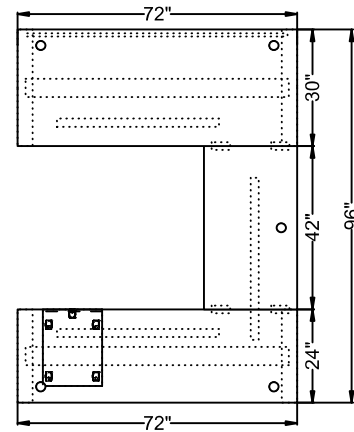
#	Quantity	Part Number	Description	List	Ext. List
Clear Design					
1	1	BL30	BLADE 30" End Leg [27.375" High]	\$291.00	\$291.00
2	1	BLLBFV2	36" Laminate Low Box/File Lateral (V2) [24.5" High] - FAST	\$1,217.00	\$1,217.00
3	1	BLLOSV2	36" Laminate Low Open Shelf Lateral (V2) [24.5" High] - FAST	\$679.00	\$679.00
4	2	BLSS	Surface Stand Kit, Set of 2 [3.5" High]	\$89.00	\$178.00
5	2	BMPBFB	3.5"x13.75" Modesty Panel L-Bracket [Includes Hardware]	\$20.00	\$40.00
6	1	BWM36	Benching Wire Manager, 36" Wide	\$125.00	\$125.00
7	1	GB3060	30"x60" Surface [1" Thick, Includes 2 Pre-Installed Grommets] - FAST	\$575.00	\$575.00
8	1	GBLLT2	72"x20" Laminate Lateral-Merging Top [1" Thick] - FAST	\$366.00	\$366.00
9	1	GLMP55V2	55" Laminate Modesty Panel (V2) [15" High, 0.75" Thick, For 60" Surfaces] - FAST	\$253.00	\$253.00
10	12	KIT-LCCB	Laminate Storage L-Bracket [For FAST/FX Laminate Top, Includes Laminate-to-Laminate Hardware]	\$0.01	\$0.12
11	2	LSF	Laminate Storage Foot, Set of 4	\$85.00	\$170.00
				Total Clear Design \$3,894.12	



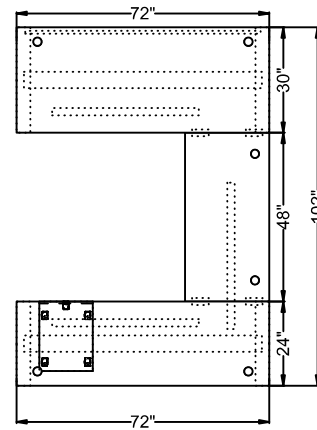
#	Quantity	Part Number	Description	List	Ext. List
Clear Design					
1	1	BASB72	42" Support Bar	\$173.00	\$173.00
2	1	BL30	BLADE 30" End Leg [27.375" High]	\$291.00	\$291.00
3	1	BLLBFV2	36" Laminate Low Box/File Lateral (V2) [24.5" High] - FAST	\$1,217.00	\$1,217.00
4	1	BLLOSV2	36" Laminate Low Open Shelf Lateral (V2) [24.5" High] - FAST	\$679.00	\$679.00
5	2	BLSS	Surface Stand Kit, Set of 2 [3.5" High]	\$89.00	\$178.00
6	2	BMPBFB	3.5"x13.75" Modesty Panel L-Bracket [Includes Hardware]	\$20.00	\$40.00
7	1	BWM36	Benching Wire Manager, 36" Wide	\$125.00	\$125.00
8	1	GB3066	30"x66" Surface [1" Thick, Includes 2 Pre-Installed Grommets] - FAST	\$632.00	\$632.00
9	1	GBLLT2	72"x20" Laminate Lateral-Merging Top [1" Thick] - FAST	\$366.00	\$366.00
10	1	GLMP55V2	55" Laminate Modesty Panel (V2) [15" High, 0.75" Thick, For 60" Surfaces] - FAST	\$253.00	\$253.00
11	12	KIT-LCCB	Laminate Storage L-Bracket [For FAST/FX Laminate Top, Includes Laminate-to-Laminate Hardware]	\$0.01	\$0.12
12	2	LSF	Laminate Storage Foot, Set of 4	\$85.00	\$170.00
				Total Clear Design \$4,124.12	



#	Quantity	Part Number	Description	List	Ext. List
Clear Design					
1	1	BASB72	42" Support Bar	\$173.00	\$173.00
2	1	BL30	BLADE 30" End Leg [27.375" High]	\$291.00	\$291.00
3	1	BLLBFV2	36" Laminate Low Box/File Lateral (V2) [24.5" High] - FAST	\$1,217.00	\$1,217.00
4	1	BLLOSV2	36" Laminate Low Open Shelf Lateral (V2) [24.5" High] - FAST	\$679.00	\$679.00
5	2	BLSS	Surface Stand Kit, Set of 2 [3.5" High]	\$89.00	\$178.00
6	2	BMPBFB	3.5"x13.75" Modesty Panel L-Bracket [Includes Hardware]	\$20.00	\$40.00
7	1	BWM36	Benching Wire Manager, 36" Wide	\$125.00	\$125.00
8	1	GB3072	30"x72" Surface [1" Thick, Includes 2 Pre-Installed Grommets] - FAST	\$660.00	\$660.00
9	1	GBLLT2	72"x20" Laminate Lateral-Merging Top [1" Thick] - FAST	\$366.00	\$366.00
10	1	GLMP66V2	66" Laminate Modesty Panel (V2) [15" High, 0.75" Thick, For 72" Surfaces] - FAST	\$297.00	\$297.00
11	12	KIT-LCCB	Laminate Storage L-Bracket [For FAST/FX Laminate Top, Includes Laminate-to-Laminate Hardware]	\$0.01	\$0.12
12	2	LSF	Laminate Storage Foot, Set of 4	\$85.00	\$170.00
				Total Clear Design \$4,196.12	



#	Quantity	Part Number	Description	List	Ext. List
Clear Design					
1	3	BASB72	42" Support Bar	\$173.00	\$519.00
2	2	BB3	BLADE Extra Long Beam	\$290.00	\$580.00
3	4	BFB1	Flat Bracket	\$8.00	\$32.00
4	2	BL24	BLADE 24" End Leg [27.375" High]	\$278.00	\$556.00
5	2	BL30	BLADE 30" End Leg [27.375" High]	\$291.00	\$582.00
6	1	BMP67V2	67" Steel Modesty Panel (V2) [15" High, Includes Brackets, For 72" Surfaces]	\$339.00	\$339.00
7	1	BSBBF	Steel Mobile Box/Box/File Pedestal [22" High]	\$781.00	\$781.00
8	1	BWM36	Benching Wire Manager, 36" Wide	\$125.00	\$125.00
9	1	GB2442	24"x42" Cross-Grain Surface [1" Thick, Includes 1 Pre-Installed Grommet] - FAST	\$317.00	\$317.00
10	1	GB2472	24"x72" Surface [1" Thick, Includes 2 Pre-Installed Grommets] - FAST	\$532.00	\$532.00
11	1	GB3072	30"x72" Surface [1" Thick, Includes 2 Pre-Installed Grommets] - FAST	\$660.00	\$660.00
12	1	GS1915	19"x15" Pedestal Cushion [Square Corners] - FAST	\$201.00	\$201.00
				Total Clear Design \$5,224.00	



#	Quantity	Part Number	Description	List	Ext. List
Clear Design					
1	3	BASB72	42" Support Bar	\$173.00	\$519.00
2	2	BB3	BLADE Extra Long Beam	\$290.00	\$580.00
3	4	BFB1	Flat Bracket	\$8.00	\$32.00
4	2	BL24	BLADE 24" End Leg [27.375" High]	\$278.00	\$556.00
5	2	BL30	BLADE 30" End Leg [27.375" High]	\$291.00	\$582.00
6	1	BMP67V2	67" Steel Modesty Panel (V2) [15" High, Includes Brackets, For 72" Surfaces]	\$339.00	\$339.00
7	1	BSBBF	Steel Mobile Box/Box/File Pedestal [22" High]	\$781.00	\$781.00
8	1	BWM36	Benching Wire Manager, 36" Wide	\$125.00	\$125.00
9	1	GB2448	24"x48" Surface [1" Thick, Includes 2 Pre-Installed Grommets] - FAST	\$363.00	\$363.00
10	1	GB2472	24"x72" Surface [1" Thick, Includes 2 Pre-Installed Grommets] - FAST	\$532.00	\$532.00
11	1	GB3072	30"x72" Surface [1" Thick, Includes 2 Pre-Installed Grommets] - FAST	\$660.00	\$660.00
12	1	GS1915	19"x15" Pedestal Cushion [Square Corners] - FAST	\$201.00	\$201.00
				Total Clear Design \$5,270.00	