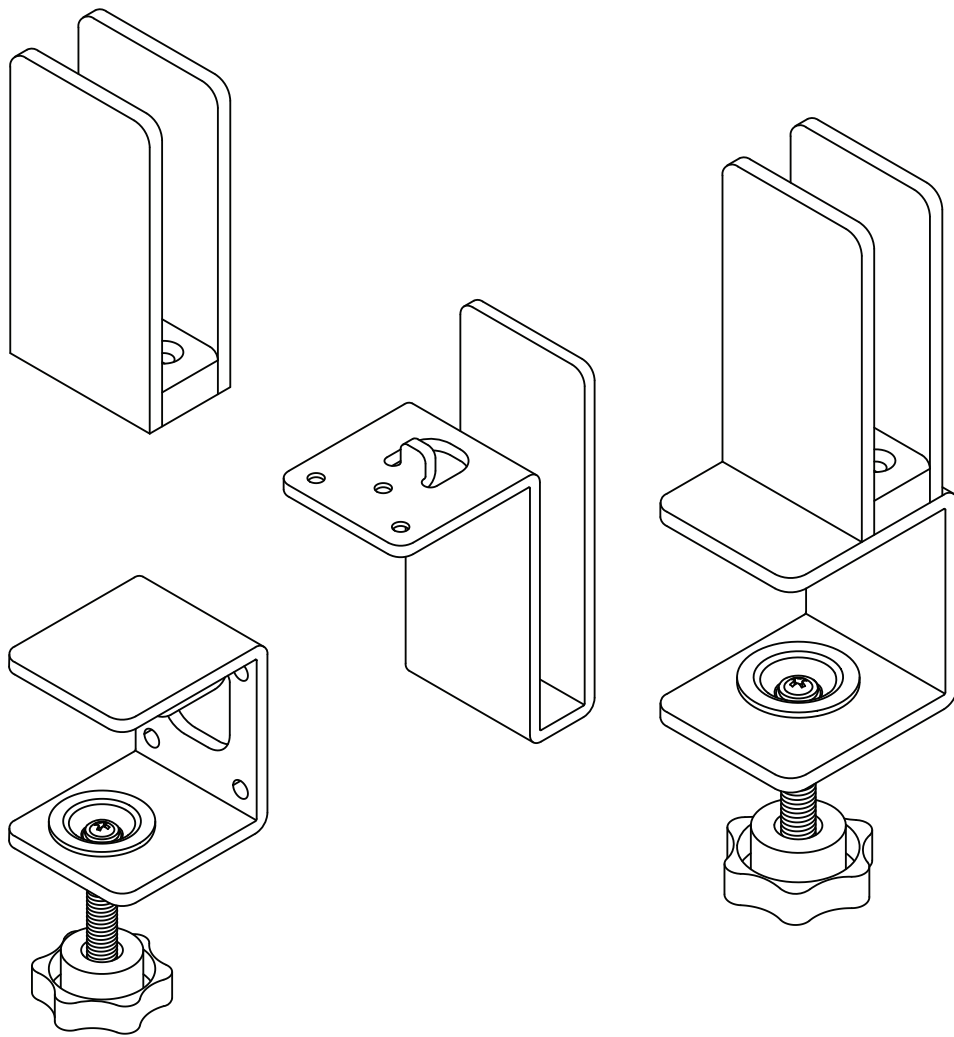


---

# Tonos Privacy Screen

## Assembly Guide



PSIOSB: PET 18mm — Screw-In On Surface Bracket Components..... 3

PSIOSB: PET 18mm — Screw-In On Surface Bracket Installation..... 4-5

PCOOSB: PET 18mm — Clamp-On On-Surface Bracket Components..... 7

PCOOSB: PET 18mm — Clamp-On On-Surface Bracket Installation...8-10

PCOMB: PET 18mm — Clamp-On Modesty Bracket Components .....12

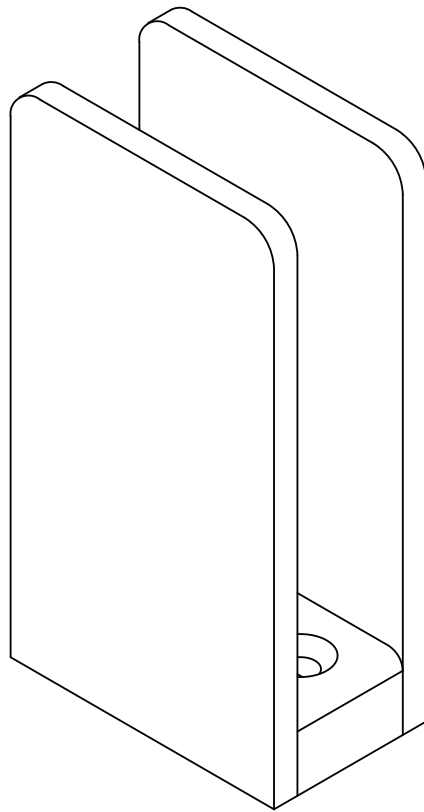
PCOMB: PET 18mm — Clamp-On Modesty Bracket Installation.....13-14

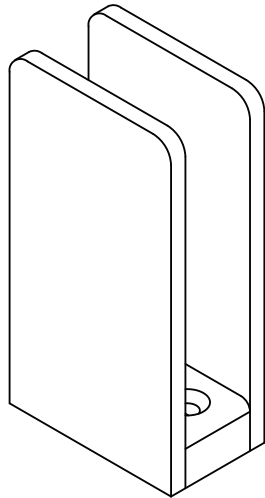
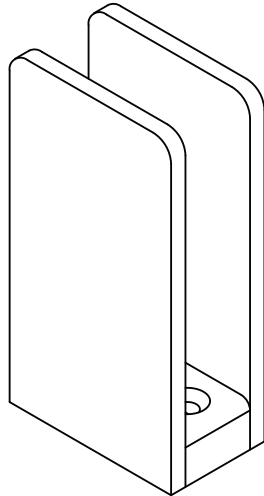
PSIEMB: PET 18mm — Screw-In Edge Mount Bracket Components .....16

PSIEMB: PET 18mm — Screw-In Edge Mount Bracket Installation..... 17-18

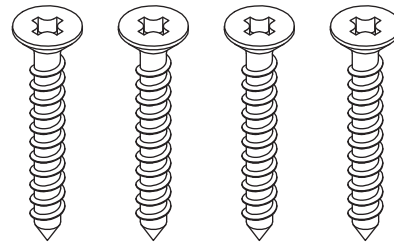
---

## PSIOSB: PET 18mm — Screw-In On Surface Bracket



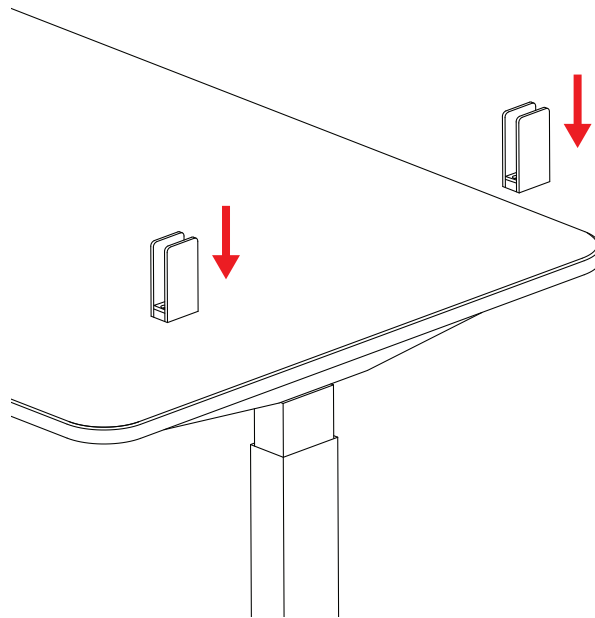


PSIOSB — PET 18mm Screw-In  
On Surface Bracket

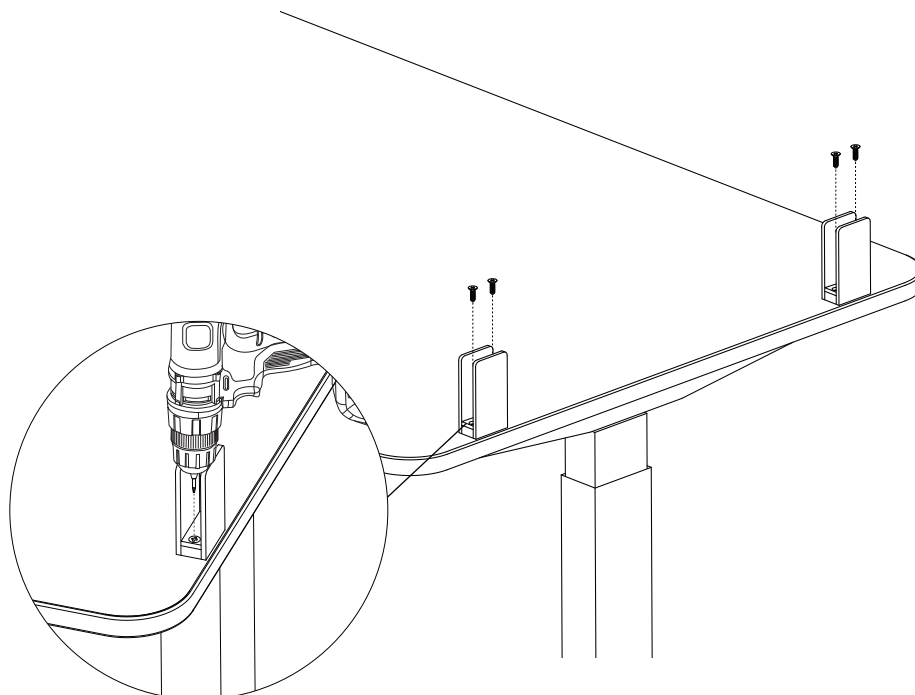


8mm x 30mm Countersunk  
Head Self-Tapping Screw

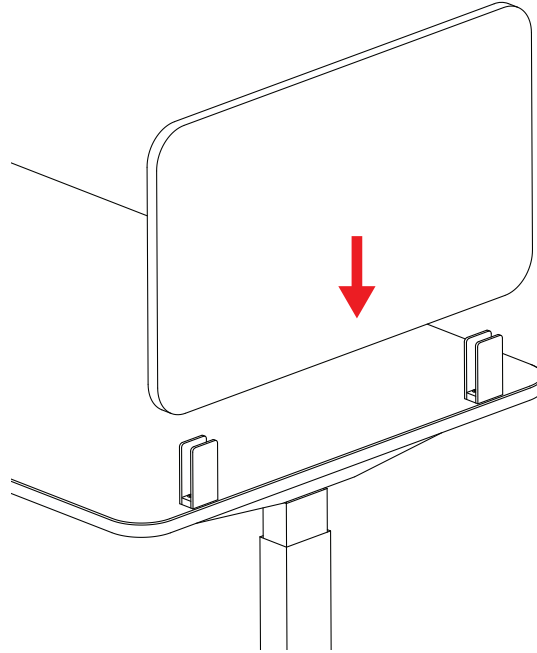
**Step 1:** Position PSIOSB — PET 18mm Screw-In On Surface Bracket to the edge of worksurface.



**Step 2:** Fasten PSIOSB — PET 18mm Screw-In On Surface Bracket to worksurface with Tapping Screws using a hand drill.

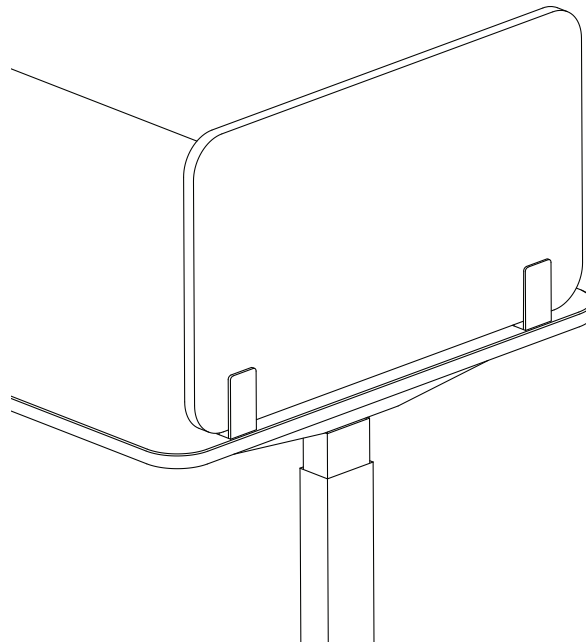


**Step 3:** Slot in the 18mm PET privacy screen.



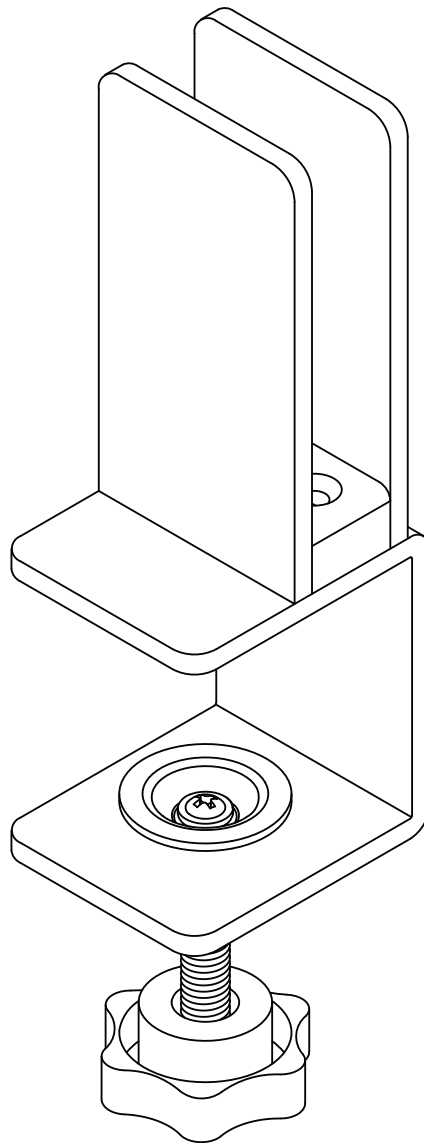
---

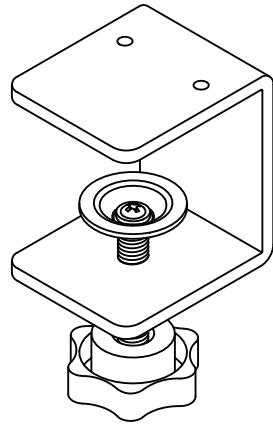
**Step 4:** PSIOSB — PET 18mm Screw-In On Surface Bracket setup is complete.



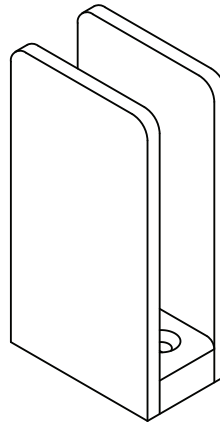
---

## PCOOSB: PET 18mm — Clamp-On On-Surface Bracket

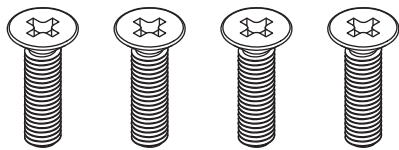
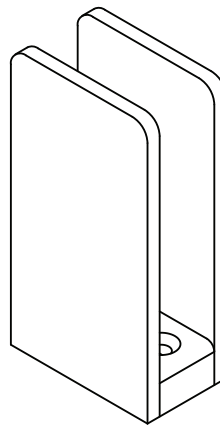
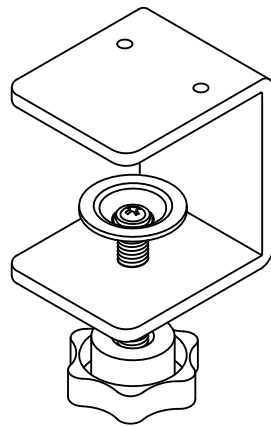




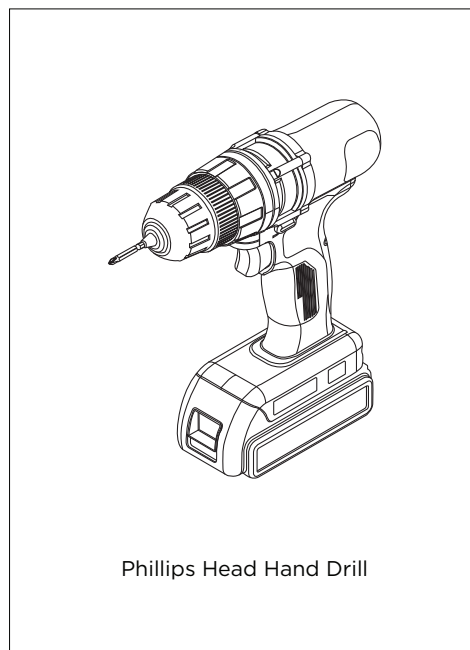
PCOMB — PET 18mm Clamp-On Modesty Bracket



PSIOSB — PET 18mm Screw-In On Surface Bracket

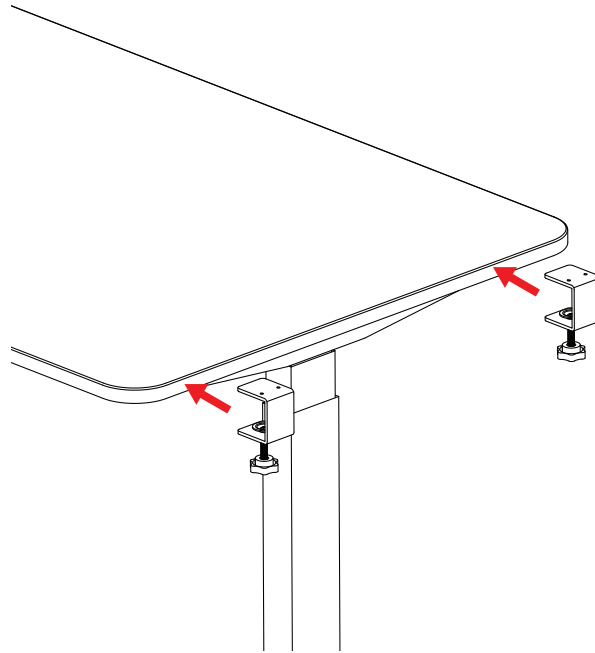


M4 x 15mm Countersunk Head Screw

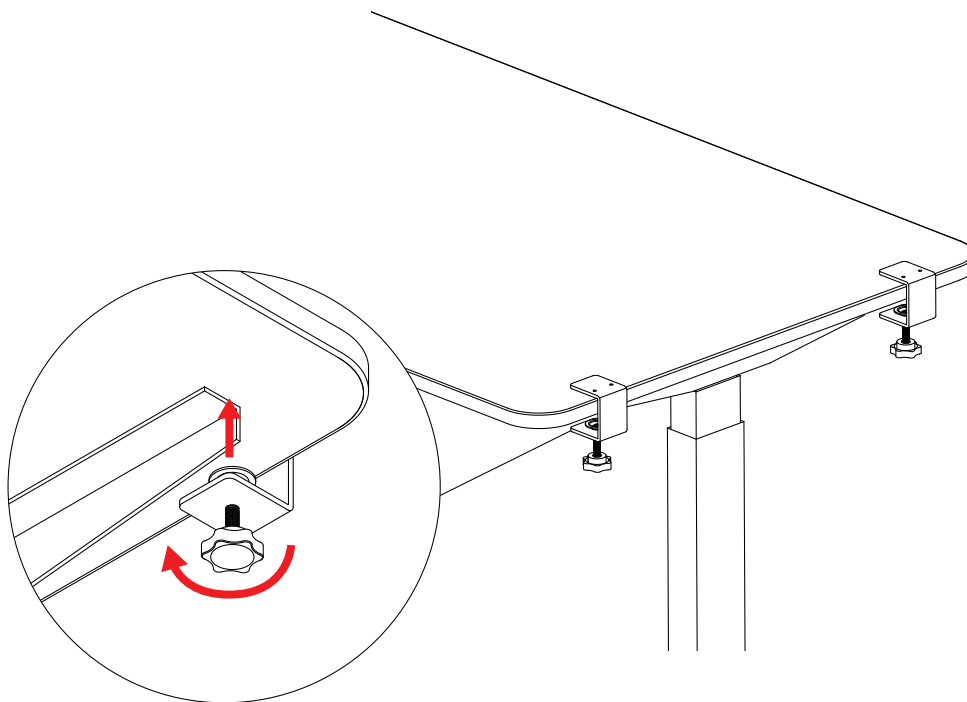


Phillips Head Hand Drill

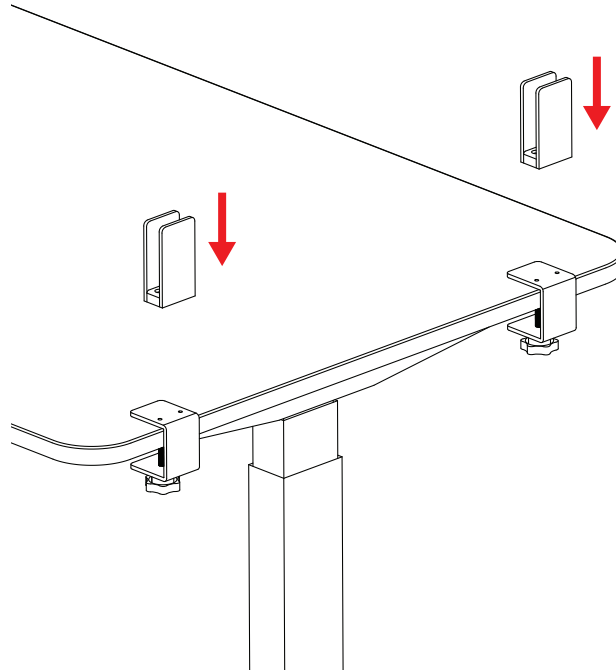
**Step 1:** Position the PCOMB — PET 18mm Clamp-On Modesty Bracket to the edge of worksurface.



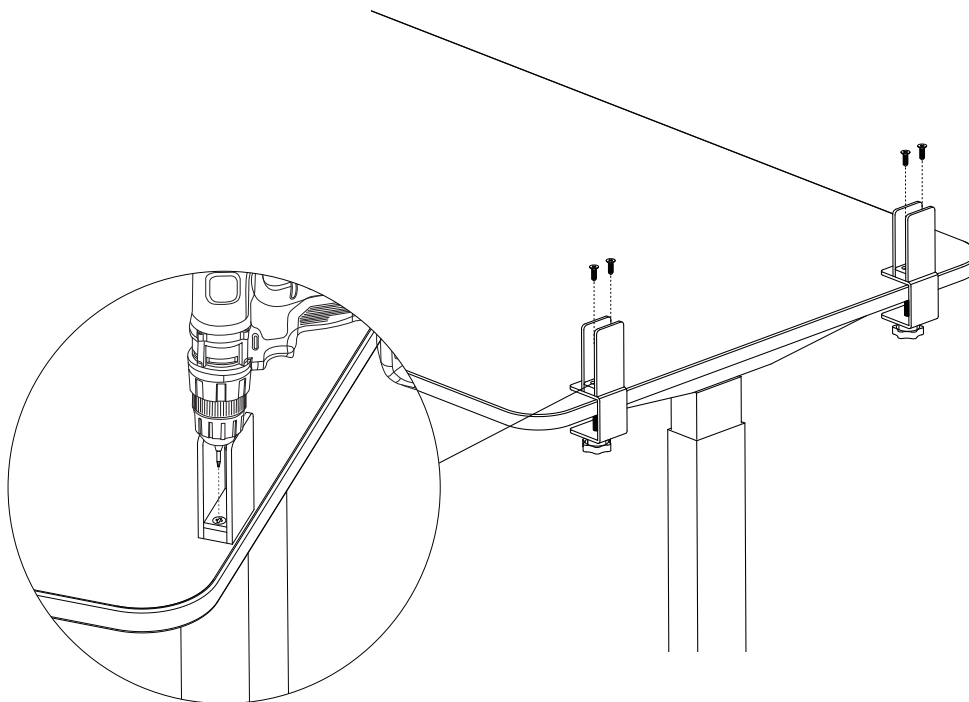
**Step 2:** Turn the knob to adjust and fasten PCOMB — PET 18mm Clamp-On Modesty Bracket to worksurface.



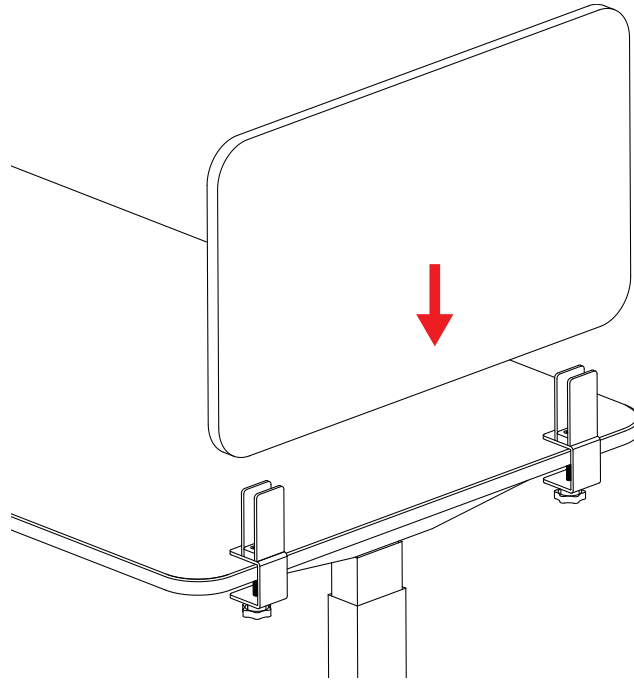
**Step 3:** Position the PSIOSB — PET 18mm Screw-In On Surface Bracket over the PCOMB — PET 18mm Clamp-On Modesty Bracket previously installed.



**Step 4:** Fasten the PSIOSB — PET 18mm Screw-In On Surface Bracket to the PCOMB — PET 18mm Clamp-On Modesty Bracket with M4 x 15mm Machine Screws using a hand drill.

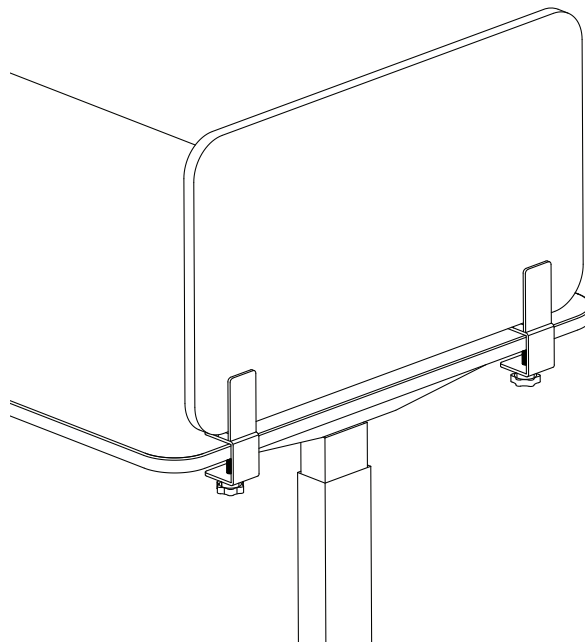


**Step 5:** Slot in the 18mm PET privacy screen.



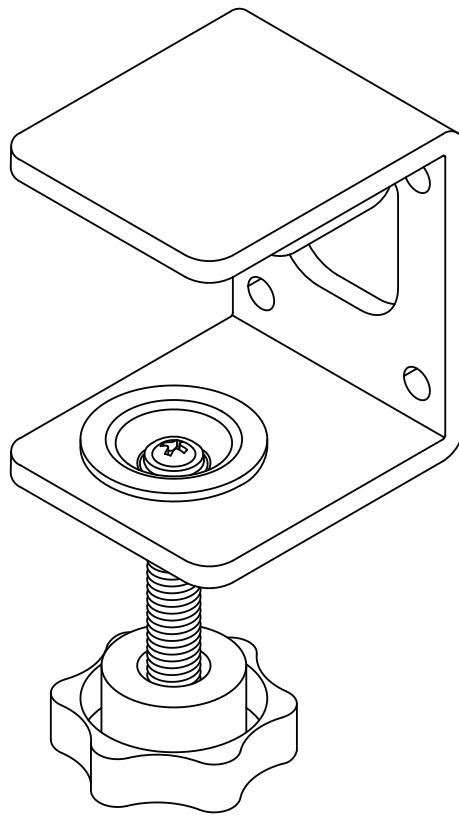
---

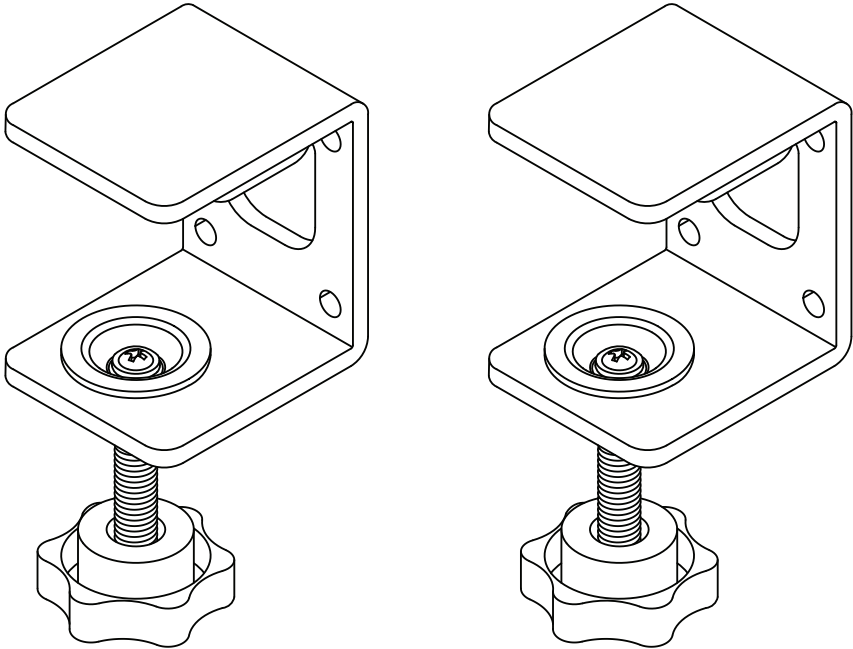
**Step 6:** PCOOSB — PET 18mm Screw-In Edge Mount Bracket setup is complete.



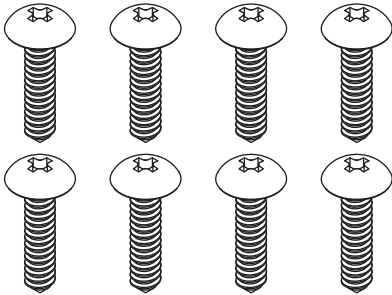
---

## PCOMB: PET 18mm — Clamp-On Modesty Bracket

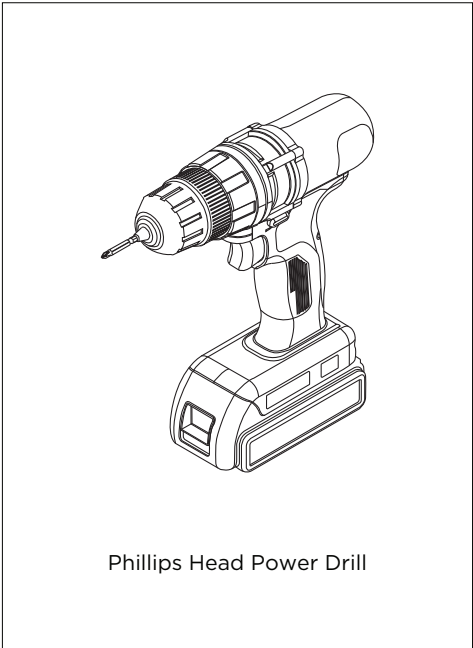




PCOMB – PET 18mm Clamp-On Modesty Bracket

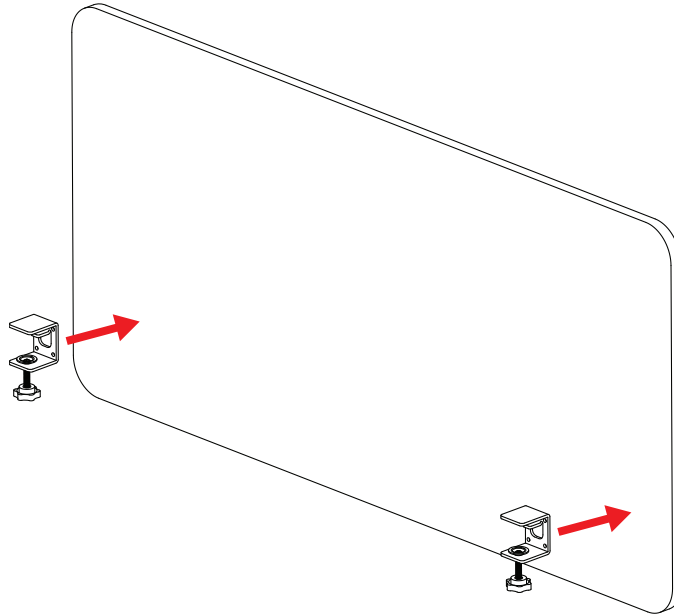


4mm x 18mm Pan Head Tapping Screw

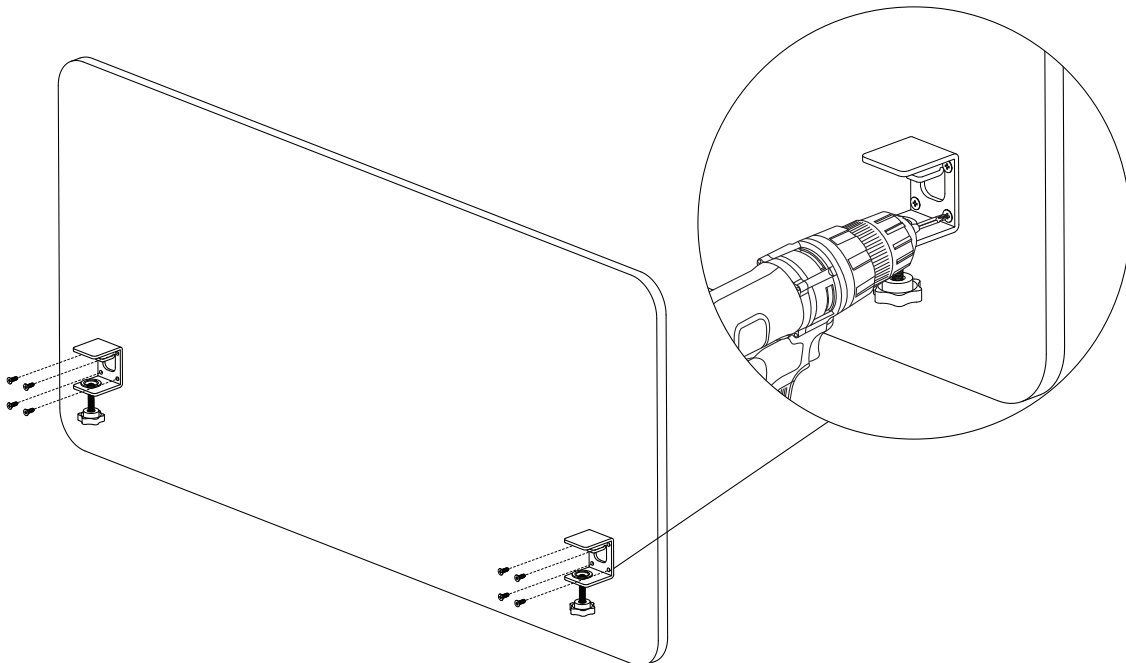


Phillips Head Power Drill

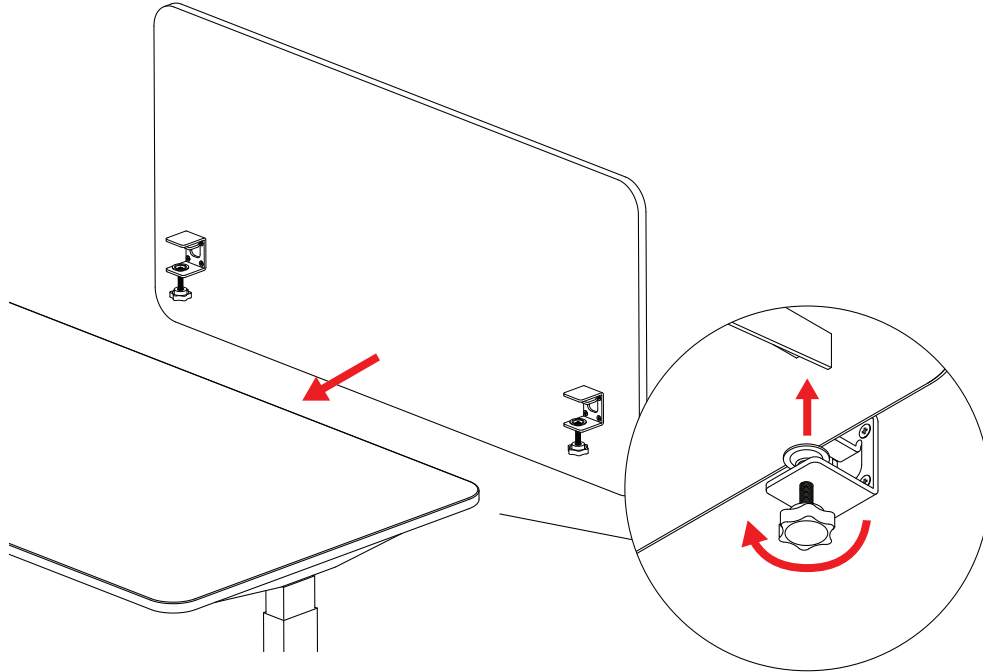
**Step 1:** Position PCOMB – PET 18mm Clamp-On Modesty Bracket to 18mm PET privacy screen as shown.



**Step 2:** Fasten PCOMB – PET 18mm Clamp-On Modesty Bracket to PET privacy screen with 4mmx18mm Pan Head Tapping Screw using a screwdriver.

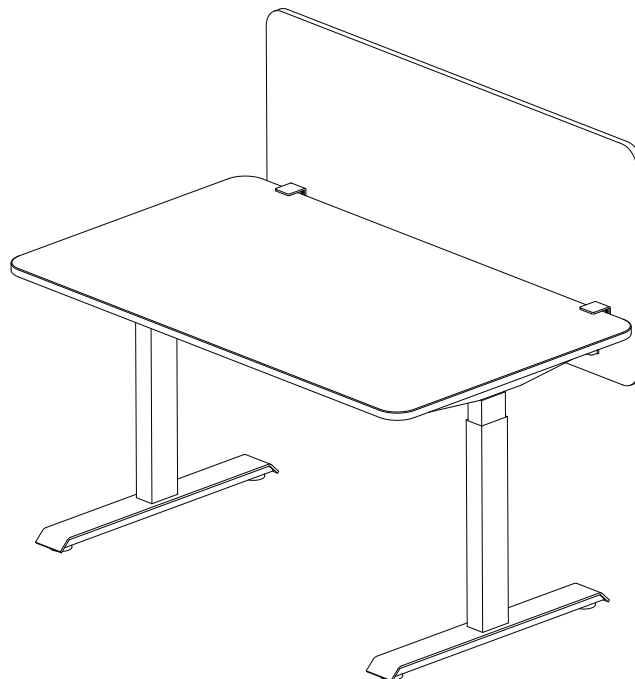


**Step 3:** Position PCOMB – PET 18mm Clamp-On Modesty Bracket sub-assembly to the edge of worksurface. Turn the knob to fasten it to the worksurface.



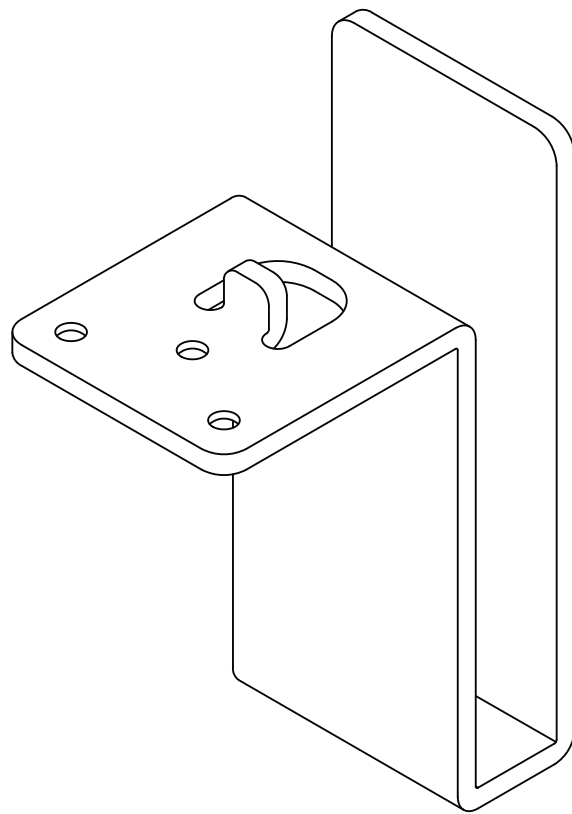
---

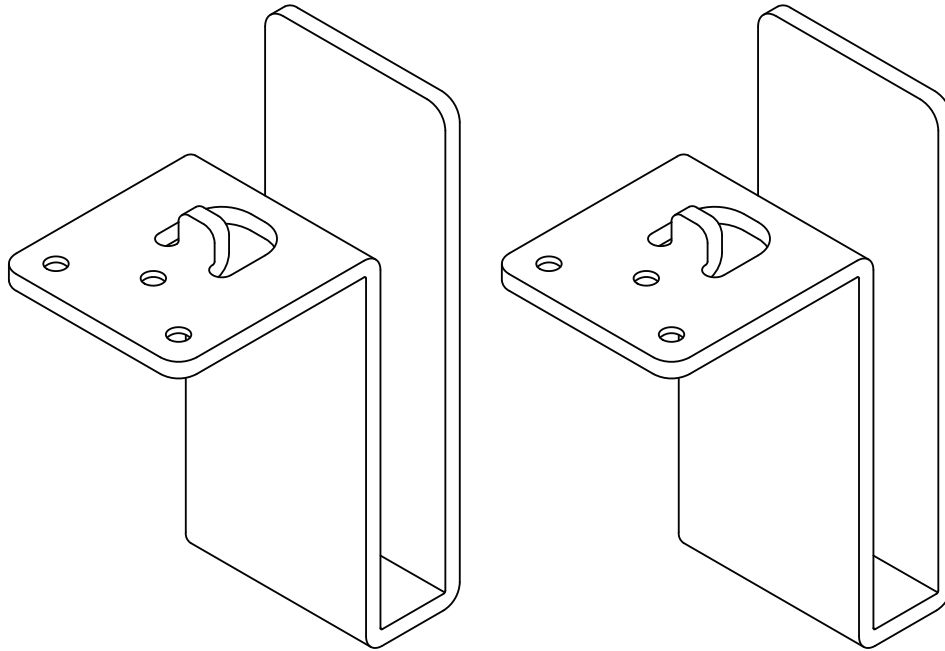
**Step 6:** PCOMB – PET 18mm Clamp-On Modesty Bracket setup is complete.



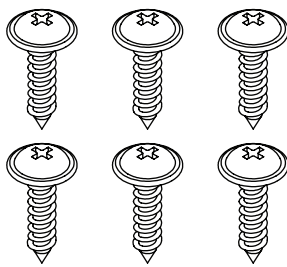
---

## PSIEMB: PET 18mm — Screw-In Edge Mount Bracket

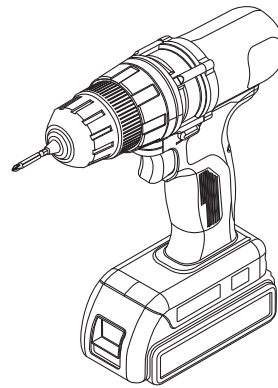




PSIEMB — PET 18mm Screw-In Edge Mount Bracket

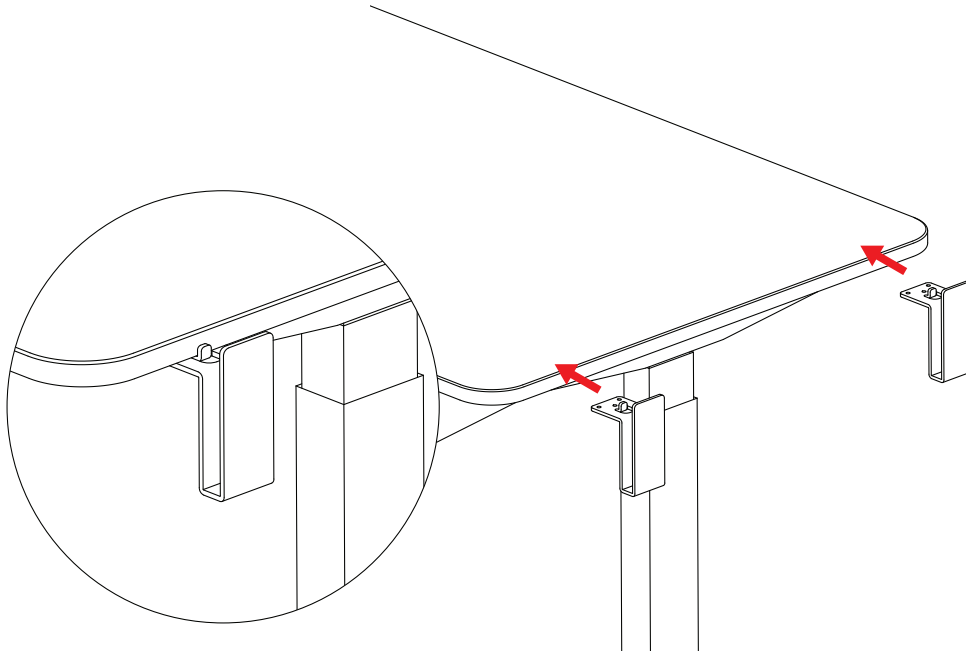


5mm x 20mm Pan Head  
Tapping Screw

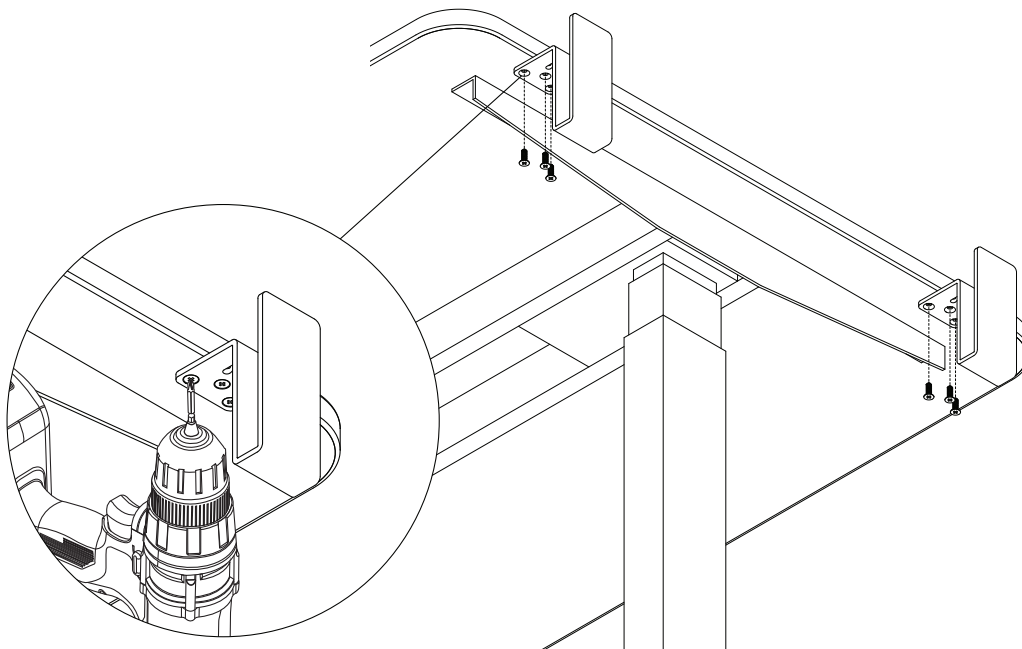


Phillips Head Power Drill

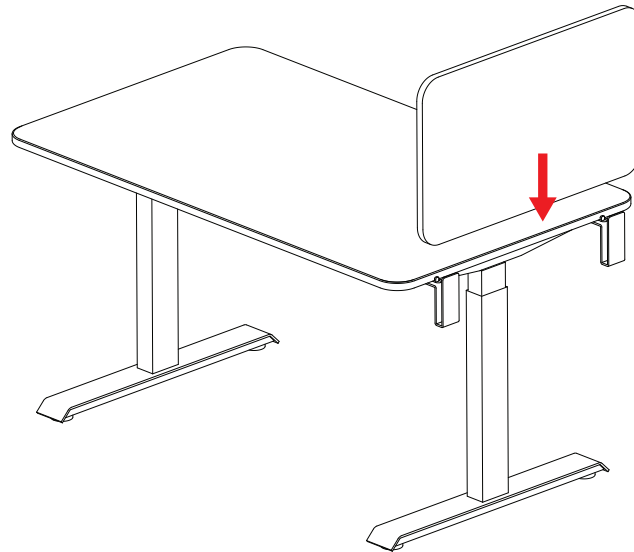
**Step 1:** Position the PSIEMB — PET 18mm Screw-In Edge Mount Bracket to the edge of worksurface.



**Step 2:** Fasten PSIEMB — PET 18mm Screw-In Edge Mount Bracket to worksurface with Tapping Screws using a power drill.

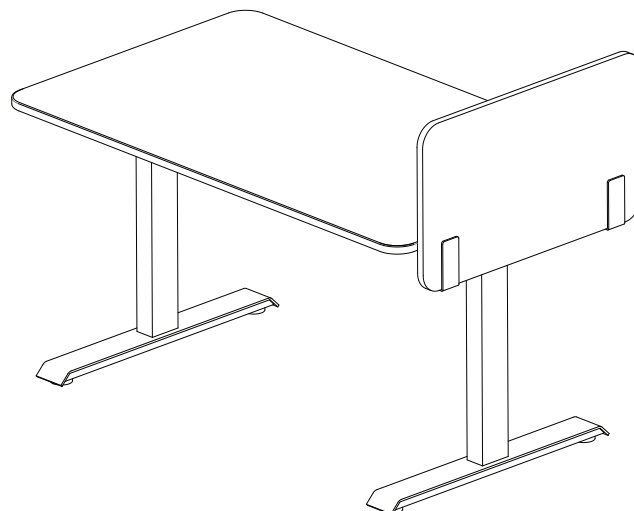


**Step 3:** Slot in the 18mm PET privacy screen.



---

**Step 6:** PSIEMB — PET 18mm Screw-In Edge Mount Bracket setup is complete.



Please contact [inspire@mycleardesign.com](mailto:inspire@mycleardesign.com) if you are missing any parts, have difficulty with assembly, or have any product related questions.