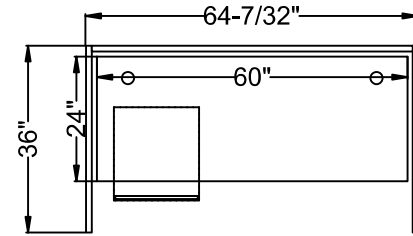
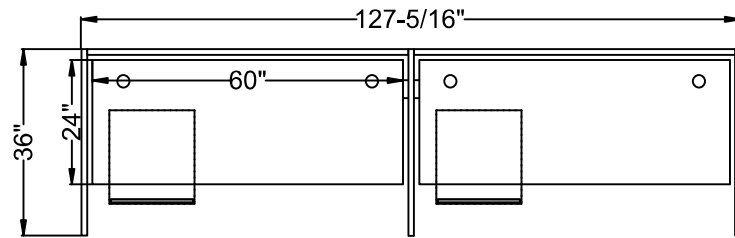


DHA2460-S1

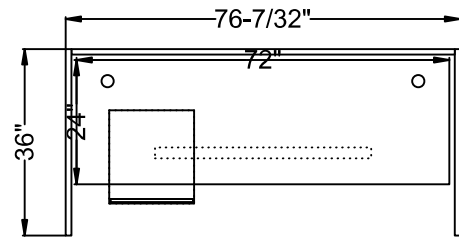


| # | Quantity | Part Number | Description | List | Ext. List |
|--------------|----------|-----------------|--|-------------------------------|------------|
| Clear Design | | | | | |
| 1 | 2 | B12GS33 | 33" Dry Erase Frosted Glass Divider [13" High] | \$360.00 | \$720.00 |
| 2 | 1 | B12GS59 | 59" Dry Erase Frosted Glass Divider [13" High] | \$626.00 | \$626.00 |
| 3 | 1 | BPRO24F | BOOST Pro 24" C-Leg Feet, Set of 2 [For Single-Sided Workstations] | \$195.00 | \$195.00 |
| 4 | 1 | BPROF | BOOST Pro Height-Adjustable Frame [For 48"-72" Workstations] | \$1,642.00 | \$1,642.00 |
| 5 | 1 | BPROLAEPB | Boost Pro Long Adjustable Panel Brackets [Set of 2] | \$113.00 | \$113.00 |
| 6 | 1 | BPROSAEPB | Boost Pro Short Adjustable Panel Brackets [Set of 2] | \$113.00 | \$113.00 |
| 7 | 1 | DFRO.4862-K-OAK | Delta Front Panel Floor Modesty, 2-Piece [48x62] | \$1,130.00 | \$1,130.00 |
| 8 | 2 | DSID.4836SI | Delta Side Panel for Side-Side Stations [48x36] | \$747.00 | \$1,494.00 |
| 9 | 1 | ELMBF | EDGE Laminate Mobile Box File | \$907.00 | \$907.00 |
| 10 | 1 | GB2460 | 24"x60" Surface [1" Thick, Includes 2 Pre-Installed Grommets] - FAST | \$450.00 | \$450.00 |
| 11 | 3 | PG9 | Plastic Gasket for BSB9 | \$1.00 | \$3.00 |
| 12 | 2 | TBRC1830 | 30" Tackboard with Rounded Corners, Velcro for Mounting | \$172.00 | \$344.00 |
| 13 | 1 | TBRC1859 | 59" Tackboard with Rounded Corners, Velcro for Mounting | \$205.00 | \$205.00 |
| | | | | Total Clear Design \$7,942.00 | |

DHA2460-S2

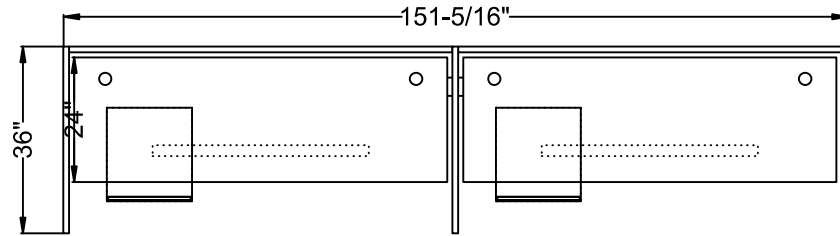


| # | Quantity | Part Number | Description | List | Ext. List |
|--------------|----------|-----------------|--|--------------------|-------------|
| Clear Design | | | | | |
| 1 | 3 | B12GS33 | 33" Dry Erase Frosted Glass Divider [13" High] | \$360.00 | \$1,080.00 |
| 2 | 2 | B12GS59 | 59" Dry Erase Frosted Glass Divider [13" High] | \$626.00 | \$1,252.00 |
| 3 | 1 | BMZ.24 | 24" Braided Mesh Zipper Wire Manager | \$129.00 | \$129.00 |
| 4 | 2 | BPRO24F | BOOST Pro 24" C-Leg Feet, Set of 2 [For Single-Sided Workstations] | \$195.00 | \$390.00 |
| 5 | 2 | BPROF | BOOST Pro Height-Adjustable Frame [For 48"-72" Workstations] | \$1,642.00 | \$3,284.00 |
| 6 | 2 | BPROLAEPB | Boost Pro Long Adjustable Panel Brackets [Set of 2] | \$113.00 | \$226.00 |
| 7 | 2 | BPROSAEPB | Boost Pro Short Adjustable Panel Brackets [Set of 2] | \$113.00 | \$226.00 |
| 8 | 2 | BPROSRB | BOOST Pro Power Beam Mounting Brackets, Set of 2 [For Single-Sided Workstations] | \$103.00 | \$206.00 |
| 9 | 2 | DFRO.4862-K-OAK | Delta Front Panel Floor Modesty, 2-Piece [48x62] | \$1,130.00 | \$2,260.00 |
| 10 | 3 | DSID.4836SI | Delta Side Panel for Side-Side Stations [48x36] | \$747.00 | \$2,241.00 |
| 11 | 2 | ELMBF | EDGE Laminate Mobile Box File | \$907.00 | \$1,814.00 |
| 12 | 2 | GB2460 | 24"x60" Surface [1" Thick, Includes 2 Pre-Installed Grommets] - FAST | \$450.00 | \$900.00 |
| 13 | 2 | KIT-BPROTPB | BOOST Pro Expandable Power Beam and Data Tray [Includes Faceplates, Trim Plates, and Covers For Cutouts] | \$578.00 | \$1,156.00 |
| 14 | 2 | MGCC | Flexible Cable Chain [Includes 46 Links; Magnetic/Screw-Mount Base] | \$302.00 | \$604.00 |
| 15 | 5 | PG9 | Plastic Gasket for BSB9 | \$1.00 | \$5.00 |
| 16 | 2 | PROBC | BOOST Pro In-Line Power Block Connector | \$46.00 | \$92.00 |
| 17 | 2 | PRODB | BOOST Pro Double Power Block | \$249.00 | \$498.00 |
| 18 | 1 | PROIF72 | BOOST Pro 72" In-feed | \$384.00 | \$384.00 |
| 19 | 1 | PROJ49 | BOOST Pro 49" Jumper | \$277.00 | \$277.00 |
| 20 | 2 | PROR1 | BOOST Pro Duplex Receptacle Circuit 1 | \$52.00 | \$104.00 |
| 21 | 2 | PROR2 | BOOST Pro Duplex Receptacle Circuit 2 | \$52.00 | \$104.00 |
| 22 | 2 | PROR3 | BOOST Pro Duplex Receptacle Circuit 3 | \$52.00 | \$104.00 |
| 23 | 2 | PROSB | BOOST Pro Single Power Block | \$172.00 | \$344.00 |
| 24 | 4 | TBRC1830 | 30" Tackboard with Rounded Corners, Velcro for Mounting | \$172.00 | \$688.00 |
| 25 | 2 | TBRC1859 | 59" Tackboard with Rounded Corners, Velcro for Mounting | \$205.00 | \$410.00 |
| | | | | Total Clear Design | \$18,778.00 |



| # | Quantity | Part Number | Description | List | Ext. List |
|--------------|----------|-----------------|--|-------------------------------|------------|
| Clear Design | | | | | |
| 1 | 2 | B12GS33 | 33" Dry Erase Frosted Glass Divider [13" High] | \$360.00 | \$720.00 |
| 2 | 1 | B12GS70 | 71" Dry-Erase Frosted Glass Divider [13" High] | \$748.00 | \$748.00 |
| 3 | 1 | BASBPRO | 42" Support Bar | \$0.01 | \$0.01 |
| 4 | 1 | BPRO24F | BOOST Pro 24" C-Leg Feet, Set of 2 [For Single-Sided Workstations] | \$195.00 | \$195.00 |
| 5 | 1 | BPROAEPB | BOOST Pro Adjustable Panel Bracket, Set of 2 [For Laminate Panels] | \$243.00 | \$243.00 |
| 6 | 1 | BPROF | BOOST Pro Height-Adjustable Frame [For 48"-72" Workstations] | \$1,642.00 | \$1,642.00 |
| 7 | 1 | BPROLAEPB | Boost Pro Long Adjustable Panel Brackets [Set of 2] | \$113.00 | \$113.00 |
| 8 | 1 | DFRO.4874-K-OAK | Delta Front Panel Floor Modesty, 2-Piece [48x74] | \$1,254.00 | \$1,254.00 |
| 9 | 2 | DSID.4836SI | Delta Side Panel for Side-Side Stations [48x36] | \$747.00 | \$1,494.00 |
| 10 | 1 | ELMBF | EDGE Laminate Mobile Box File | \$907.00 | \$907.00 |
| 11 | 1 | GB2472 | 24"x72" Surface [1" Thick, Includes 2 Pre-Installed Grommets] - FAST | \$532.00 | \$532.00 |
| 12 | 3 | PG9 | Plastic Gasket for BSB9 | \$1.00 | \$3.00 |
| 13 | 2 | TBRC1830 | 30" Tackboard with Rounded Corners, Velcro for Mounting | \$172.00 | \$344.00 |
| 14 | 1 | TBRC1871 | 71" Tackboard with Rounded Corners, Velcro for Mounting | \$248.00 | \$248.00 |
| | | | | Total Clear Design \$8,443.01 | |

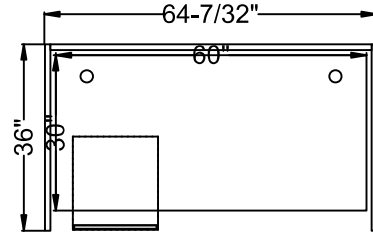
DHA2472-S2



| # | Quantity | Part Number | Description | List | Ext. List |
|--------------|----------|-----------------|--|------------|------------|
| Clear Design | | | | | |
| 1 | 3 | B12GS33 | 33" Dry Erase Frosted Glass Divider [13" High] | \$360.00 | \$1,080.00 |
| 2 | 2 | B12GS70 | 71" Dry-Erase Frosted Glass Divider [13" High] | \$748.00 | \$1,496.00 |
| 3 | 2 | BASBPRO | 42" Support Bar | \$0.01 | \$0.02 |
| 4 | 1 | BMZ.24 | 24" Braided Mesh Zipper Wire Manager | \$129.00 | \$129.00 |
| 5 | 2 | BPRO24F | BOOST Pro 24" C-Leg Feet, Set of 2 [For Single-Sided Workstations] | \$195.00 | \$390.00 |
| 6 | 2 | BPROAEPB | BOOST Pro Adjustable Panel Bracket, Set of 2 [For Laminate Panels] | \$243.00 | \$486.00 |
| 7 | 2 | BPROF | BOOST Pro Height-Adjustable Frame [For 48"-72" Workstations] | \$1,642.00 | \$3,284.00 |
| 8 | 2 | BPROLAEPB | Boost Pro Long Adjustable Panel Brackets [Set of 2] | \$113.00 | \$226.00 |
| 9 | 2 | BPROSRB | BOOST Pro Power Beam Mounting Brackets, Set of 2 [For Single-Sided Workstations] | \$103.00 | \$206.00 |
| 10 | 2 | DFRO.4874-K-OAK | Delta Front Panel Floor Modesty, 2-Piece [48x74] | \$1,254.00 | \$2,508.00 |
| 11 | 3 | DSID.4836SI | Delta Side Panel for Side-Side Stations [48x36] | \$747.00 | \$2,241.00 |
| 12 | 2 | ELMBF | EDGE Laminate Mobile Box File | \$907.00 | \$1,814.00 |
| 13 | 2 | GB2472 | 24"x72" Surface [1" Thick, Includes 2 Pre-Installed Grommets] - FAST | \$532.00 | \$1,064.00 |
| 14 | 2 | KIT-BPROTPB | BOOST Pro Expandable Power Beam and Data Tray [Includes Faceplates, Trim Plates, and Covers For Cutouts] | \$578.00 | \$1,156.00 |
| 15 | 2 | MGCC | Flexible Cable Chain [Includes 46 Links; Magnetic/Screw-Mount Base] | \$302.00 | \$604.00 |
| 16 | 5 | PG9 | Plastic Gasket for BSB9 | \$1.00 | \$5.00 |
| 17 | 2 | PROBC | BOOST Pro In-Line Power Block Connector | \$46.00 | \$92.00 |
| 18 | 2 | PRODB | BOOST Pro Double Power Block | \$249.00 | \$498.00 |
| 19 | 1 | PROIF72 | BOOST Pro 72" In-feed | \$384.00 | \$384.00 |
| 20 | 1 | PROJ61 | BOOST Pro 61" Jumper | \$326.00 | \$326.00 |
| 21 | 2 | PROR1 | BOOST Pro Duplex Receptacle Circuit 1 | \$52.00 | \$104.00 |
| 22 | 1 | PROR2 | BOOST Pro Duplex Receptacle Circuit 2 | \$52.00 | \$52.00 |
| 23 | 1 | PROR3 | BOOST Pro Duplex Receptacle Circuit 3 | \$52.00 | \$52.00 |
| 24 | 2 | PROR4 | BOOST Pro Duplex Receptacle, Controlled, Circuit 4 | \$52.00 | \$104.00 |
| 25 | 2 | PROSB | BOOST Pro Single Power Block | \$172.00 | \$344.00 |
| 26 | 4 | TBRC1830 | 30" Tackboard with Rounded Corners, Velcro for Mounting | \$172.00 | \$688.00 |
| 27 | 2 | TBRC1871 | 71" Tackboard with Rounded Corners, Velcro for Mounting | \$248.00 | \$496.00 |

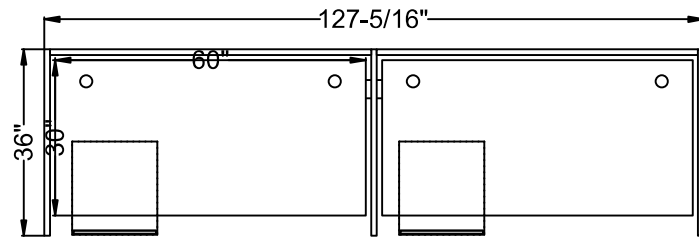
Total Clear Design \$19,829.02

DHA3060-S1



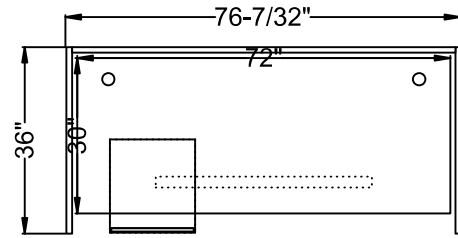
| # | Quantity | Part Number | Description | List | Ext. List |
|--------------|----------|-----------------|--|-------------------------------|------------|
| Clear Design | | | | | |
| 1 | 2 | B12GS33 | 33" Dry Erase Frosted Glass Divider [13" High] | \$360.00 | \$720.00 |
| 2 | 1 | B12GS59 | 59" Dry Erase Frosted Glass Divider [13" High] | \$626.00 | \$626.00 |
| 3 | 1 | BPRO24F | BOOST Pro 24" C-Leg Feet, Set of 2 [For Single-Sided Workstations] | \$195.00 | \$195.00 |
| 4 | 1 | BPROF | BOOST Pro Height-Adjustable Frame [For 48"-72" Workstations] | \$1,642.00 | \$1,642.00 |
| 5 | 1 | BPROLAEPB | Boost Pro Long Adjustable Panel Brackets [Set of 2] | \$113.00 | \$113.00 |
| 6 | 1 | BPROSAEPB | Boost Pro Short Adjustable Panel Brackets [Set of 2] | \$113.00 | \$113.00 |
| 7 | 1 | DFRO.4862-K-OAK | Delta Front Panel Floor Modesty, 2-Piece [48x62] | \$1,130.00 | \$1,130.00 |
| 8 | 2 | DSID.4836SI | Delta Side Panel for Side-Side Stations [48x36] | \$747.00 | \$1,494.00 |
| 9 | 1 | ELMBF | EDGE Laminate Mobile Box File | \$907.00 | \$907.00 |
| 10 | 1 | GB3060 | 30"x60" Surface [1" Thick, Includes 2 Pre-Installed Grommets] - FAST | \$575.00 | \$575.00 |
| 11 | 3 | PG9 | Plastic Gasket for BSB9 | \$1.00 | \$3.00 |
| 12 | 2 | TBRC1830 | 30" Tackboard with Rounded Corners, Velcro for Mounting | \$172.00 | \$344.00 |
| 13 | 1 | TBRC1859 | 59" Tackboard with Rounded Corners, Velcro for Mounting | \$205.00 | \$205.00 |
| | | | | Total Clear Design \$8,067.00 | |

DHA3060-S2



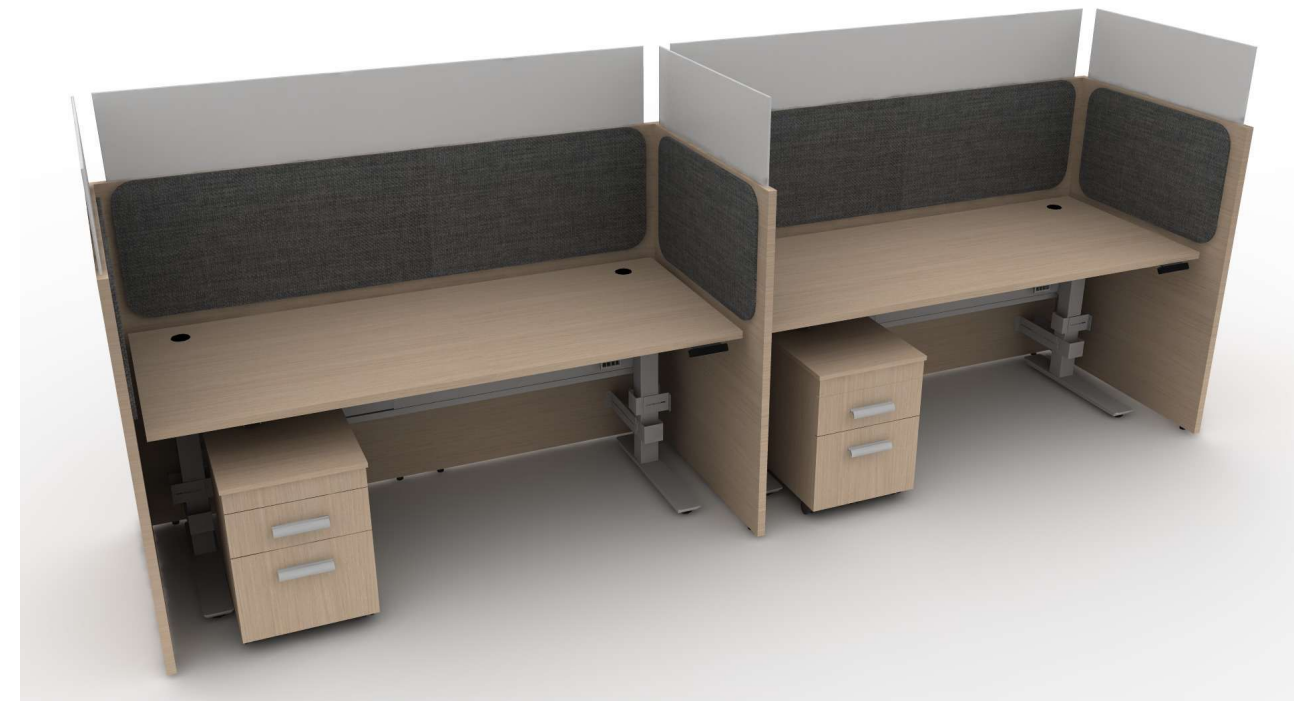
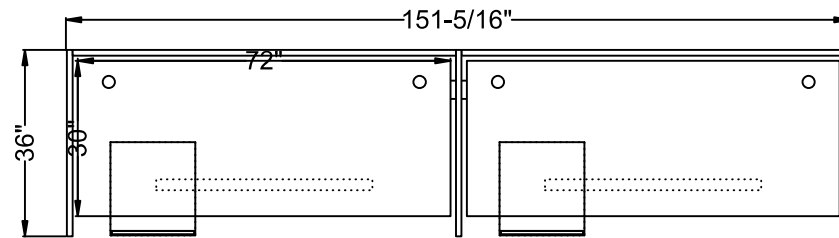
| # | Quantity | Part Number | Description | List | Ext. List |
|--------------|----------|-----------------|--|--------------------|-------------|
| Clear Design | | | | | |
| 1 | 3 | B12GS33 | 33" Dry Erase Frosted Glass Divider [13" High] | \$360.00 | \$1,080.00 |
| 2 | 2 | B12GS59 | 59" Dry Erase Frosted Glass Divider [13" High] | \$626.00 | \$1,252.00 |
| 3 | 1 | BMZ.24 | 24" Braided Mesh Zipper Wire Manager | \$129.00 | \$129.00 |
| 4 | 2 | BPRO24F | BOOST Pro 24" C-Leg Feet, Set of 2 [For Single-Sided Workstations] | \$195.00 | \$390.00 |
| 5 | 2 | BPROF | BOOST Pro Height-Adjustable Frame [For 48"-72" Workstations] | \$1,642.00 | \$3,284.00 |
| 6 | 2 | BPROLAEPB | Boost Pro Long Adjustable Panel Brackets [Set of 2] | \$113.00 | \$226.00 |
| 7 | 2 | BPROSAEPB | Boost Pro Short Adjustable Panel Brackets [Set of 2] | \$113.00 | \$226.00 |
| 8 | 2 | BPROSRB | BOOST Pro Power Beam Mounting Brackets, Set of 2 [For Single-Sided Workstations] | \$103.00 | \$206.00 |
| 9 | 2 | DFRO.4862-K-OAK | Delta Front Panel Floor Modesty, 2-Piece [48x62] | \$1,130.00 | \$2,260.00 |
| 10 | 3 | DSID.4836SI | Delta Side Panel for Side-Side Stations [48x36] | \$747.00 | \$2,241.00 |
| 11 | 2 | ELMBF | EDGE Laminate Mobile Box File | \$907.00 | \$1,814.00 |
| 12 | 2 | GB3060 | 30"x60" Surface [1" Thick, Includes 2 Pre-Installed Grommets] - FAST | \$575.00 | \$1,150.00 |
| 13 | 2 | KIT-BPROTPB | BOOST Pro Expandable Power Beam and Data Tray [Includes Faceplates, Trim Plates, and Covers For Cutouts] | \$578.00 | \$1,156.00 |
| 14 | 2 | MGCC | Flexible Cable Chain [Includes 46 Links; Magnetic/Screw-Mount Base] | \$302.00 | \$604.00 |
| 15 | 5 | PG9 | Plastic Gasket for BSB9 | \$1.00 | \$5.00 |
| 16 | 2 | PROBC | BOOST Pro In-Line Power Block Connector | \$46.00 | \$92.00 |
| 17 | 2 | PRODB | BOOST Pro Double Power Block | \$249.00 | \$498.00 |
| 18 | 1 | PROIF72 | BOOST Pro 72" In-feed | \$384.00 | \$384.00 |
| 19 | 1 | PROJ49 | BOOST Pro 49" Jumper | \$277.00 | \$277.00 |
| 20 | 1 | PROR1 | BOOST Pro Duplex Receptacle Circuit 1 | \$52.00 | \$52.00 |
| 21 | 1 | PROR2 | BOOST Pro Duplex Receptacle Circuit 2 | \$52.00 | \$52.00 |
| 22 | 2 | PROR3 | BOOST Pro Duplex Receptacle Circuit 3 | \$52.00 | \$104.00 |
| 23 | 2 | PROR4 | BOOST Pro Duplex Receptacle, Controlled, Circuit 4 | \$52.00 | \$104.00 |
| 24 | 2 | PROSB | BOOST Pro Single Power Block | \$172.00 | \$344.00 |
| 25 | 4 | TBRC1830 | 30" Tackboard with Rounded Corners, Velcro for Mounting | \$172.00 | \$688.00 |
| 26 | 2 | TBRC1859 | 59" Tackboard with Rounded Corners, Velcro for Mounting | \$205.00 | \$410.00 |
| | | | | Total Clear Design | \$19,028.00 |

DHA3072-S1



| # | Quantity | Part Number | Description | List | Ext. List |
|--------------|----------|-----------------|--|-------------------------------|------------|
| Clear Design | | | | | |
| 1 | 2 | B12GS33 | 33" Dry Erase Frosted Glass Divider [13" High] | \$360.00 | \$720.00 |
| 2 | 1 | B12GS70 | 71" Dry-Erase Frosted Glass Divider [13" High] | \$748.00 | \$748.00 |
| 3 | 1 | BASBPRO | 42" Support Bar | \$0.01 | \$0.01 |
| 4 | 1 | BPRO24F | BOOST Pro 24" C-Leg Feet, Set of 2 [For Single-Sided Workstations] | \$195.00 | \$195.00 |
| 5 | 1 | BPROAEPB | BOOST Pro Adjustable Panel Bracket, Set of 2 [For Laminate Panels] | \$243.00 | \$243.00 |
| 6 | 1 | BPROF | BOOST Pro Height-Adjustable Frame [For 48"-72" Workstations] | \$1,642.00 | \$1,642.00 |
| 7 | 1 | BPROLAEPB | Boost Pro Long Adjustable Panel Brackets [Set of 2] | \$113.00 | \$113.00 |
| 8 | 1 | DFRO.4874-K-OAK | Delta Front Panel Floor Modesty, 2-Piece [48x74] | \$1,254.00 | \$1,254.00 |
| 9 | 2 | DSID.4836SI | Delta Side Panel for Side-Side Stations [48x36] | \$747.00 | \$1,494.00 |
| 10 | 1 | ELMBF | EDGE Laminate Mobile Box File | \$907.00 | \$907.00 |
| 11 | 1 | GB3072 | 30"x72" Surface [1" Thick, Includes 2 Pre-Installed Grommets] - FAST | \$660.00 | \$660.00 |
| 12 | 3 | PG9 | Plastic Gasket for BSB9 | \$1.00 | \$3.00 |
| 13 | 2 | TBRC1830 | 30" Tackboard with Rounded Corners, Velcro for Mounting | \$172.00 | \$344.00 |
| 14 | 1 | TBRC1871 | 71" Tackboard with Rounded Corners, Velcro for Mounting | \$248.00 | \$248.00 |
| | | | | Total Clear Design \$8,571.01 | |

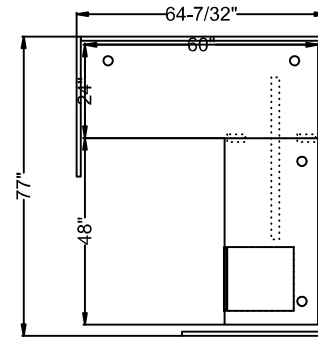
DHA3072-S2



| # | Quantity | Part Number | Description | List | Ext. List |
|--------------|----------|-----------------|--|------------|------------|
| Clear Design | | | | | |
| 1 | 3 | B12GS33 | 33" Dry Erase Frosted Glass Divider [13" High] | \$360.00 | \$1,080.00 |
| 2 | 2 | B12GS70 | 71" Dry-Erase Frosted Glass Divider [13" High] | \$748.00 | \$1,496.00 |
| 3 | 2 | BASBPRO | 42" Support Bar | \$0.01 | \$0.02 |
| 4 | 1 | BMZ.24 | 24" Braided Mesh Zipper Wire Manager | \$129.00 | \$129.00 |
| 5 | 2 | BPRO24F | BOOST Pro 24" C-Leg Feet, Set of 2 [For Single-Sided Workstations] | \$195.00 | \$390.00 |
| 6 | 2 | BPROAEPB | BOOST Pro Adjustable Panel Bracket, Set of 2 [For Laminate Panels] | \$243.00 | \$486.00 |
| 7 | 2 | BPROF | BOOST Pro Height-Adjustable Frame [For 48"-72" Workstations] | \$1,642.00 | \$3,284.00 |
| 8 | 2 | BPROLAEPB | Boost Pro Long Adjustable Panel Brackets [Set of 2] | \$113.00 | \$226.00 |
| 9 | 2 | BPROSRB | BOOST Pro Power Beam Mounting Brackets, Set of 2 [For Single-Sided Workstations] | \$103.00 | \$206.00 |
| 10 | 2 | DFRO.4874-K-OAK | Delta Front Panel Floor Modesty, 2-Piece [48x74] | \$1,254.00 | \$2,508.00 |
| 11 | 3 | DSID.4836SI | Delta Side Panel for Side-Side Stations [48x36] | \$747.00 | \$2,241.00 |
| 12 | 2 | ELMBF | EDGE Laminate Mobile Box File | \$907.00 | \$1,814.00 |
| 13 | 2 | GB3072 | 30"x72" Surface [1" Thick, Includes 2 Pre-Installed Grommets] - FAST | \$660.00 | \$1,320.00 |
| 14 | 2 | KIT-BPROTPB | BOOST Pro Expandable Power Beam and Data Tray [Includes Faceplates, Trim Plates, and Covers For Cutouts] | \$578.00 | \$1,156.00 |
| 15 | 2 | MGCC | Flexible Cable Chain [Includes 46 Links; Magnetic/Screw-Mount Base] | \$302.00 | \$604.00 |
| 16 | 5 | PG9 | Plastic Gasket for BSB9 | \$1.00 | \$5.00 |
| 17 | 2 | PROBC | BOOST Pro In-Line Power Block Connector | \$46.00 | \$92.00 |
| 18 | 2 | PRODB | BOOST Pro Double Power Block | \$249.00 | \$498.00 |
| 19 | 1 | PROIF72 | BOOST Pro 72" In-feed | \$384.00 | \$384.00 |
| 20 | 1 | PROJ61 | BOOST Pro 61" Jumper | \$326.00 | \$326.00 |
| 21 | 2 | PROR1 | BOOST Pro Duplex Receptacle Circuit 1 | \$52.00 | \$104.00 |
| 22 | 2 | PROR2 | BOOST Pro Duplex Receptacle Circuit 2 | \$52.00 | \$104.00 |
| 23 | 2 | PROR4 | BOOST Pro Duplex Receptacle, Controlled, Circuit 4 | \$52.00 | \$104.00 |
| 24 | 2 | PROSB | BOOST Pro Single Power Block | \$172.00 | \$344.00 |
| 25 | 4 | TBRC1830 | 30" Tackboard with Rounded Corners, Velcro for Mounting | \$172.00 | \$688.00 |
| 26 | 2 | TBRC1871 | 71" Tackboard with Rounded Corners, Velcro for Mounting | \$248.00 | \$496.00 |

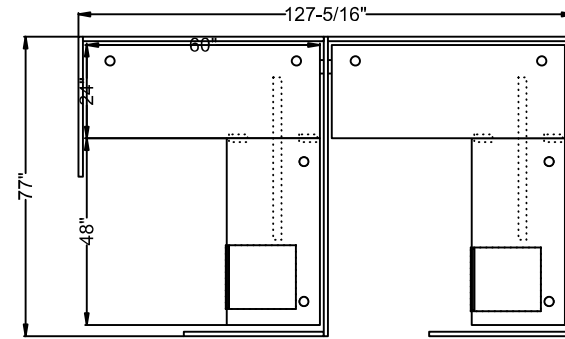
Total Clear Design \$20,085.02

DHAM2460R2448-S1



| # | Quantity | Part Number | Description | List | Ext. List |
|--------------|----------|-------------------|--|--------------------------------|------------|
| Clear Design | | | | | |
| 1 | 2 | B12GS33 | 33" Dry Erase Frosted Glass Divider [13" High] | \$360.00 | \$720.00 |
| 2 | 1 | B12GS59 | 59" Dry Erase Frosted Glass Divider [13" High] | \$626.00 | \$626.00 |
| 3 | 1 | B12GS74 | 74" Dry Erase Frosted Glass Divider [13" High] | \$748.00 | \$748.00 |
| 4 | 1 | BASB72 | 42" Support Bar | \$173.00 | \$173.00 |
| 5 | 2 | BFB1 | Flat Bracket | \$8.00 | \$16.00 |
| 6 | 1 | BPRO24F | BOOST Pro 24" C-Leg Feet, Set of 2 [For Single-Sided Workstations] | \$195.00 | \$195.00 |
| 7 | 1 | BPROF | BOOST Pro Height-Adjustable Frame [For 48"-72" Workstations] | \$1,642.00 | \$1,642.00 |
| 8 | 2 | BPROLAEPB | Boost Pro Long Adjustable Panel Brackets [Set of 2] | \$113.00 | \$226.00 |
| 9 | 1 | BPROLF | BOOST Pro Height-Adjustable L-Shape Frame Adapter Kit | \$1,098.00 | \$1,098.00 |
| 10 | 2 | BPROSAEPB | Boost Pro Short Adjustable Panel Brackets [Set of 2] | \$113.00 | \$226.00 |
| 11 | 1 | DEND.4836 | Delta End Panel for Return Leg [48x36] | \$747.00 | \$747.00 |
| 12 | 1 | DFRO.4862-K-OAK | Delta Front Panel Floor Modesty, 2-Piece [48x62] | \$1,130.00 | \$1,130.00 |
| 13 | 1 | DRET.4877SI-K-OAK | Delta Return Panel for Side-Side Stations, 2-Piece [48x77] | \$1,372.00 | \$1,372.00 |
| 14 | 1 | DSID.4836SI | Delta Side Panel for Side-Side Stations [48x36] | \$747.00 | \$747.00 |
| 15 | 1 | ELMBF | EDGE Laminate Mobile Box File | \$907.00 | \$907.00 |
| 16 | 1 | GB2448 | 24"x48" Surface [1" Thick, Includes 2 Pre-Installed Grommets] - FAST | \$363.00 | \$363.00 |
| 17 | 1 | GB2460 | 24"x60" Surface [1" Thick, Includes 2 Pre-Installed Grommets] - FAST | \$450.00 | \$450.00 |
| 18 | 4 | PG9 | Plastic Gasket for BSB9 | \$1.00 | \$4.00 |
| 19 | 1 | TBRC1830 | 30" Tackboard with Rounded Corners, Velcro for Mounting | \$172.00 | \$172.00 |
| 20 | 1 | TBRC1859 | 59" Tackboard with Rounded Corners, Velcro for Mounting | \$205.00 | \$205.00 |
| 21 | 1 | TBRC1871 | 71" Tackboard with Rounded Corners, Velcro for Mounting | \$248.00 | \$248.00 |
| | | | | Total Clear Design \$12,015.00 | |

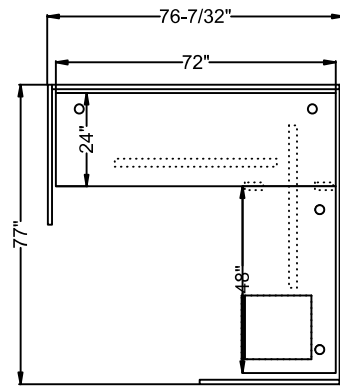
DHAM2460R2448-S2



| # | Quantity | Part Number | Description | List | Ext. List |
|--------------|----------|-------------------|--|------------|------------|
| Clear Design | | | | | |
| 1 | 3 | B12GS33 | 33" Dry Erase Frosted Glass Divider [13" High] | \$360.00 | \$1,080.00 |
| 2 | 2 | B12GS59 | 59" Dry Erase Frosted Glass Divider [13" High] | \$626.00 | \$1,252.00 |
| 3 | 2 | B12GS74 | 74" Dry Erase Frosted Glass Divider [13" High] | \$748.00 | \$1,496.00 |
| 4 | 2 | BASB72 | 42" Support Bar | \$173.00 | \$346.00 |
| 5 | 4 | BFB1 | Flat Bracket | \$8.00 | \$32.00 |
| 6 | 1 | BMZ.24 | 24" Braided Mesh Zipper Wire Manager | \$129.00 | \$129.00 |
| 7 | 2 | BPRO24F | BOOST Pro 24" C-Leg Feet, Set of 2 [For Single-Sided Workstations] | \$195.00 | \$390.00 |
| 8 | 2 | BPROF | BOOST Pro Height-Adjustable Frame [For 48"-72" Workstations] | \$1,642.00 | \$3,284.00 |
| 9 | 3 | BPROLAEPB | Boost Pro Long Adjustable Panel Brackets [Set of 2] | \$113.00 | \$339.00 |
| 10 | 2 | BPROLF | BOOST Pro Height-Adjustable L-Shape Frame Adapter Kit | \$1,098.00 | \$2,196.00 |
| 11 | 3 | BPROSAEPB | Boost Pro Short Adjustable Panel Brackets [Set of 2] | \$113.00 | \$339.00 |
| 12 | 2 | BPROSRB | BOOST Pro Power Beam Mounting Brackets, Set of 2 [For Single-Sided Workstations] | \$103.00 | \$206.00 |
| 13 | 2 | DEND.4836 | Delta End Panel for Return Leg [48x36] | \$747.00 | \$1,494.00 |
| 14 | 2 | DFRO.4862-K-OAK | Delta Front Panel Floor Modesty, 2-Piece [48x62] | \$1,130.00 | \$2,260.00 |
| 15 | 2 | DRET.4877SI-K-OAK | Delta Return Panel for Side-Side Stations, 2-Piece [48x77] | \$1,372.00 | \$2,744.00 |
| 16 | 1 | DSID.4836SI | Delta Side Panel for Side-Side Stations [48x36] | \$747.00 | \$747.00 |
| 17 | 2 | ELMBF | EDGE Laminate Mobile Box File | \$907.00 | \$1,814.00 |
| 18 | 2 | GB2448 | 24"x48" Surface [1" Thick, Includes 2 Pre-Installed Grommets] - FAST | \$363.00 | \$726.00 |
| 19 | 2 | GB2460 | 24"x60" Surface [1" Thick, Includes 2 Pre-Installed Grommets] - FAST | \$450.00 | \$900.00 |
| 20 | 2 | KIT-BPROTPB | BOOST Pro Expandable Power Beam and Data Tray [Includes Faceplates, Trim Plates, and Covers For Cutouts] | \$578.00 | \$1,156.00 |
| 21 | 2 | MGCC | Flexible Cable Chain [Includes 46 Links; Magnetic/Screw-Mount Base] | \$302.00 | \$604.00 |
| 22 | 7 | PG9 | Plastic Gasket for BSB9 | \$1.00 | \$7.00 |
| 23 | 2 | PROBC | BOOST Pro In-Line Power Block Connector | \$46.00 | \$92.00 |
| 24 | 2 | PRODB | BOOST Pro Double Power Block | \$249.00 | \$498.00 |
| 25 | 1 | PROIF72 | BOOST Pro 72" In-feed | \$384.00 | \$384.00 |
| 26 | 1 | PROJ49 | BOOST Pro 49" Jumper | \$277.00 | \$277.00 |
| 27 | 2 | PROR1 | BOOST Pro Duplex Receptacle Circuit 1 | \$52.00 | \$104.00 |
| 28 | 2 | PROR2 | BOOST Pro Duplex Receptacle Circuit 2 | \$52.00 | \$104.00 |
| 29 | 1 | PROR3 | BOOST Pro Duplex Receptacle Circuit 3 | \$52.00 | \$52.00 |
| 30 | 1 | PROR4 | BOOST Pro Duplex Receptacle, Controlled, Circuit 4 | \$52.00 | \$52.00 |
| 31 | 2 | PROSB | BOOST Pro Single Power Block | \$172.00 | \$344.00 |
| 32 | 1 | TBRC1830 | 30" Tackboard with Rounded Corners, Velcro for Mounting | \$172.00 | \$172.00 |
| 33 | 2 | TBRC1859 | 59" Tackboard with Rounded Corners, Velcro for Mounting | \$205.00 | \$410.00 |
| 34 | 3 | TBRC1871 | 71" Tackboard with Rounded Corners, Velcro for Mounting | \$248.00 | \$744.00 |

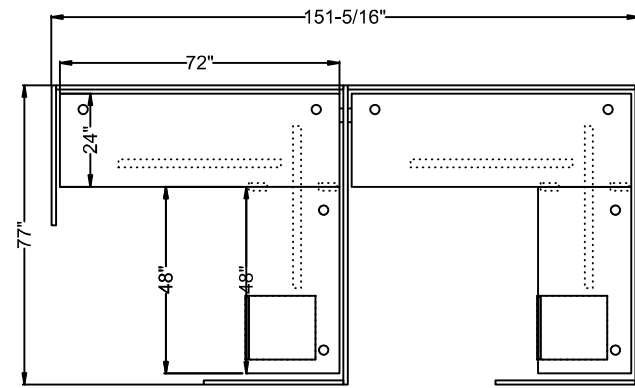
Total Clear Design \$26,774.00

DHAM2472R2448-S1



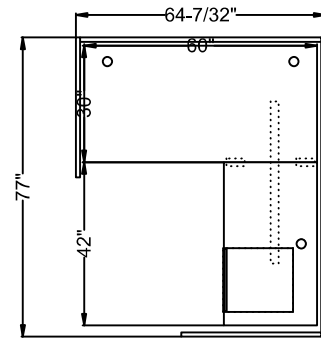
| # | Quantity | Part Number | Description | List | Ext. List |
|--------------|----------|-------------------|--|--------------------|-------------|
| Clear Design | | | | | |
| 1 | 2 | B12GS33 | 33" Dry Erase Frosted Glass Divider [13" High] | \$360.00 | \$720.00 |
| 2 | 1 | B12GS70 | 71" Dry-Erase Frosted Glass Divider [13" High] | \$748.00 | \$748.00 |
| 3 | 1 | B12GS74 | 74" Dry Erase Frosted Glass Divider [13" High] | \$748.00 | \$748.00 |
| 4 | 1 | BASB72 | 42" Support Bar | \$173.00 | \$173.00 |
| 5 | 1 | BASBPRO | 42" Support Bar | \$0.01 | \$0.01 |
| 6 | 2 | BFB1 | Flat Bracket | \$8.00 | \$16.00 |
| 7 | 1 | BPRO24F | BOOST Pro 24" C-Leg Feet, Set of 2 [For Single-Sided Workstations] | \$195.00 | \$195.00 |
| 8 | 1 | BPROAEPB | BOOST Pro Adjustable Panel Bracket, Set of 2 [For Laminate Panels] | \$243.00 | \$243.00 |
| 9 | 1 | BPROF | BOOST Pro Height-Adjustable Frame [For 48"-72" Workstations] | \$1,642.00 | \$1,642.00 |
| 10 | 2 | BPROLAEPB | Boost Pro Long Adjustable Panel Brackets [Set of 2] | \$113.00 | \$226.00 |
| 11 | 1 | BPROLF | BOOST Pro Height-Adjustable L-Shape Frame Adapter Kit | \$1,098.00 | \$1,098.00 |
| 12 | 1 | BPROSAEPB | Boost Pro Short Adjustable Panel Brackets [Set of 2] | \$113.00 | \$113.00 |
| 13 | 1 | DEND.4836 | Delta End Panel for Return Leg [48x36] | \$747.00 | \$747.00 |
| 14 | 1 | DFRO.4874-K-OAK | Delta Front Panel Floor Modesty, 2-Piece [48x74] | \$1,254.00 | \$1,254.00 |
| 15 | 1 | DRET.4877SI-K-OAK | Delta Return Panel for Side-Side Stations, 2-Piece [48x77] | \$1,372.00 | \$1,372.00 |
| 16 | 1 | DSID.4836SI | Delta Side Panel for Side-Side Stations [48x36] | \$747.00 | \$747.00 |
| 17 | 1 | ELMBF | EDGE Laminate Mobile Box File | \$907.00 | \$907.00 |
| 18 | 1 | GB2448 | 24"x48" Surface [1" Thick, Includes 2 Pre-Installed Grommets] - FAST | \$363.00 | \$363.00 |
| 19 | 1 | GB2472 | 24"x72" Surface [1" Thick, Includes 2 Pre-Installed Grommets] - FAST | \$532.00 | \$532.00 |
| 20 | 4 | PG9 | Plastic Gasket for BSB9 | \$1.00 | \$4.00 |
| 21 | 1 | TBRC1830 | 30" Tackboard with Rounded Corners, Velcro for Mounting | \$172.00 | \$172.00 |
| 22 | 2 | TBRC1871 | 71" Tackboard with Rounded Corners, Velcro for Mounting | \$248.00 | \$496.00 |
| | | | | Total Clear Design | \$12,516.01 |

DHAM2472R2448-S2



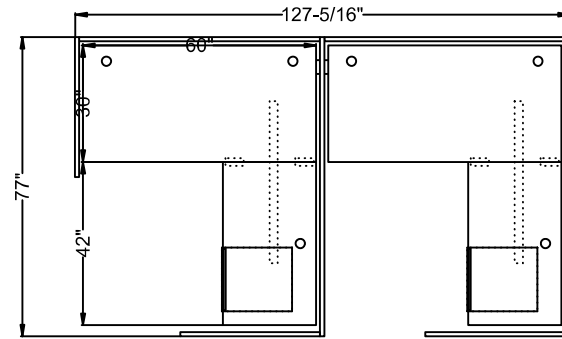
| # | Quantity | Part Number | Description | List | Ext. List |
|--------------|----------|-------------------|--|--------------------------------|------------|
| Clear Design | | | | | |
| 1 | 3 | B12GS33 | 33" Dry Erase Frosted Glass Divider [13" High] | \$360.00 | \$1,080.00 |
| 2 | 2 | B12GS70 | 71" Dry-Erase Frosted Glass Divider [13" High] | \$748.00 | \$1,496.00 |
| 3 | 2 | B12GS74 | 74" Dry Erase Frosted Glass Divider [13" High] | \$748.00 | \$1,496.00 |
| 4 | 2 | BASB72 | 42" Support Bar | \$173.00 | \$346.00 |
| 5 | 2 | BASBPRO | 42" Support Bar | \$0.01 | \$0.02 |
| 6 | 4 | BFB1 | Flat Bracket | \$8.00 | \$32.00 |
| 7 | 1 | BMZ.24 | 24" Braided Mesh Zipper Wire Manager | \$129.00 | \$129.00 |
| 8 | 2 | BPRO24F | BOOST Pro 24" C-Leg Feet, Set of 2 [For Single-Sided Workstations] | \$195.00 | \$390.00 |
| 9 | 2 | BPROAEPB | BOOST Pro Adjustable Panel Bracket, Set of 2 [For Laminate Panels] | \$243.00 | \$486.00 |
| 10 | 2 | BPROF | BOOST Pro Height-Adjustable Frame [For 48"-72" Workstations] | \$1,642.00 | \$3,284.00 |
| 11 | 3 | BPROLAEPB | Boost Pro Long Adjustable Panel Brackets [Set of 2] | \$113.00 | \$339.00 |
| 12 | 2 | BPROLF | BOOST Pro Height-Adjustable L-Shape Frame Adapter Kit | \$1,098.00 | \$2,196.00 |
| 13 | 1 | BPROSAEPB | Boost Pro Short Adjustable Panel Brackets [Set of 2] | \$113.00 | \$113.00 |
| 14 | 2 | BPROSRB | BOOST Pro Power Beam Mounting Brackets, Set of 2 [For Single-Sided Workstations] | \$103.00 | \$206.00 |
| 15 | 2 | DEND.4836 | Delta End Panel for Return Leg [48x36] | \$747.00 | \$1,494.00 |
| 16 | 2 | DFRO.4874-K-OAK | Delta Front Panel Floor Modesty, 2-Piece [48x74] | \$1,254.00 | \$2,508.00 |
| 17 | 2 | DRET.4877SI-K-OAK | Delta Return Panel for Side-Side Stations, 2-Piece [48x77] | \$1,372.00 | \$2,744.00 |
| 18 | 1 | DSID.4836SI | Delta Side Panel for Side-Side Stations [48x36] | \$747.00 | \$747.00 |
| 19 | 2 | ELMBF | EDGE Laminate Mobile Box File | \$907.00 | \$1,814.00 |
| 20 | 2 | GB2448 | 24"x48" Surface [1" Thick, Includes 2 Pre-Installed Grommets] - FAST | \$363.00 | \$726.00 |
| 21 | 2 | GB2472 | 24"x72" Surface [1" Thick, Includes 2 Pre-Installed Grommets] - FAST | \$532.00 | \$1,064.00 |
| 22 | 2 | KIT-BPROTPB | BOOST Pro Expandable Power Beam and Data Tray [Includes Faceplates, Trim Plates, and Covers For Cutouts] | \$578.00 | \$1,156.00 |
| 23 | 2 | MGCC | Flexible Cable Chain [Includes 46 Links; Magnetic/Screw-Mount Base] | \$302.00 | \$604.00 |
| 24 | 7 | PG9 | Plastic Gasket for BSB9 | \$1.00 | \$7.00 |
| 25 | 2 | PROBC | BOOST Pro In-Line Power Block Connector | \$46.00 | \$92.00 |
| 26 | 2 | PRODB | BOOST Pro Double Power Block | \$249.00 | \$498.00 |
| 27 | 1 | PROIF72 | BOOST Pro 72" In-feed | \$384.00 | \$384.00 |
| 28 | 1 | PROJ61 | BOOST Pro 61" Jumper | \$326.00 | \$326.00 |
| 29 | 2 | PROR1 | BOOST Pro Duplex Receptacle Circuit 1 | \$52.00 | \$104.00 |
| 30 | 1 | PROR2 | BOOST Pro Duplex Receptacle Circuit 2 | \$52.00 | \$52.00 |
| 31 | 1 | PROR3 | BOOST Pro Duplex Receptacle Circuit 3 | \$52.00 | \$52.00 |
| 32 | 2 | PROR4 | BOOST Pro Duplex Receptacle, Controlled, Circuit 4 | \$52.00 | \$104.00 |
| 33 | 2 | PROSB | BOOST Pro Single Power Block | \$172.00 | \$344.00 |
| 34 | 1 | TBRC1830 | 30" Tackboard with Rounded Corners, Velcro for Mounting | \$172.00 | \$172.00 |
| 35 | 5 | TBRC1871 | 71" Tackboard with Rounded Corners, Velcro for Mounting | \$248.00 | \$1,240.00 |
| | | | | Total Clear Design \$27,825.02 | |

DHAM3060R2442-S1



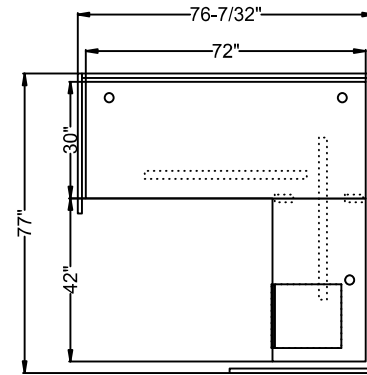
| # | Quantity | Part Number | Description | List | Ext. List |
|--------------|----------|-------------------|---|--------------------------------|------------|
| Clear Design | | | | | |
| 1 | 2 | B12GS33 | 33" Dry Erase Frosted Glass Divider [13" High] | \$360.00 | \$720.00 |
| 2 | 1 | B12GS59 | 59" Dry Erase Frosted Glass Divider [13" High] | \$626.00 | \$626.00 |
| 3 | 1 | B12GS74 | 74" Dry Erase Frosted Glass Divider [13" High] | \$748.00 | \$748.00 |
| 4 | 1 | BASB72 | 42" Support Bar | \$173.00 | \$173.00 |
| 5 | 2 | BFB1 | Flat Bracket | \$8.00 | \$16.00 |
| 6 | 1 | BPRO24F | BOOST Pro 24" C-Leg Feet, Set of 2 [For Single-Sided Workstations] | \$195.00 | \$195.00 |
| 7 | 1 | BPROF | BOOST Pro Height-Adjustable Frame [For 48"-72" Workstations] | \$1,642.00 | \$1,642.00 |
| 8 | 2 | BPROLAEPB | Boost Pro Long Adjustable Panel Brackets [Set of 2] | \$113.00 | \$226.00 |
| 9 | 1 | BPROLF | BOOST Pro Height-Adjustable L-Shape Frame Adapter Kit | \$1,098.00 | \$1,098.00 |
| 10 | 2 | BPROSAEPB | Boost Pro Short Adjustable Panel Brackets [Set of 2] | \$113.00 | \$226.00 |
| 11 | 1 | DEND.4836 | Delta End Panel for Return Leg [48x36] | \$747.00 | \$747.00 |
| 12 | 1 | DFRO.4862-K-OAK | Delta Front Panel Floor Modesty, 2-Piece [48x62] | \$1,130.00 | \$1,130.00 |
| 13 | 1 | DRET.4877SI-K-OAK | Delta Return Panel for Side-Side Stations, 2-Piece [48x77] | \$1,372.00 | \$1,372.00 |
| 14 | 1 | DSID.4836SI | Delta Side Panel for Side-Side Stations [48x36] | \$747.00 | \$747.00 |
| 15 | 1 | ELMBF | EDGE Laminate Mobile Box File | \$907.00 | \$907.00 |
| 16 | 1 | GB2442 | 24"x42" Cross-Grain Surface [1" Thick, Includes 1 Pre-Installed Grommet] - FAST | \$317.00 | \$317.00 |
| 17 | 1 | GB3060 | 30"x60" Surface [1" Thick, Includes 2 Pre-Installed Grommets] - FAST | \$575.00 | \$575.00 |
| 18 | 4 | PG9 | Plastic Gasket for BSB9 | \$1.00 | \$4.00 |
| 19 | 1 | TBRC1830 | 30" Tackboard with Rounded Corners, Velcro for Mounting | \$172.00 | \$172.00 |
| 20 | 1 | TBRC1859 | 59" Tackboard with Rounded Corners, Velcro for Mounting | \$205.00 | \$205.00 |
| 21 | 1 | TBRC1871 | 71" Tackboard with Rounded Corners, Velcro for Mounting | \$248.00 | \$248.00 |
| | | | | Total Clear Design \$12,094.00 | |

DHAM3060R2442-S2



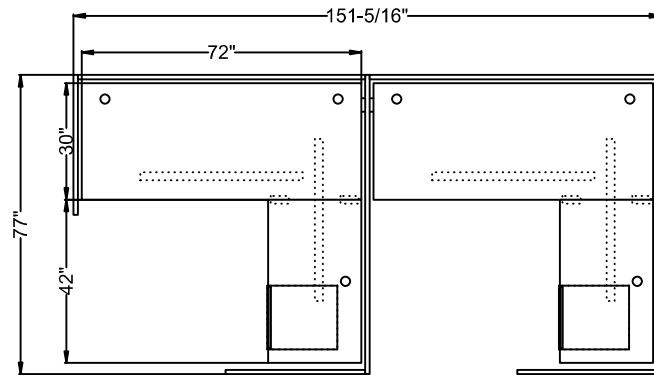
| # | Quantity | Part Number | Description | List | Ext. List |
|--------------|----------|-------------------|--|--------------------|-------------|
| Clear Design | | | | | |
| 1 | 3 | B12GS33 | 33" Dry Erase Frosted Glass Divider [13" High] | \$360.00 | \$1,080.00 |
| 2 | 2 | B12GS59 | 59" Dry Erase Frosted Glass Divider [13" High] | \$626.00 | \$1,252.00 |
| 3 | 2 | B12GS74 | 74" Dry Erase Frosted Glass Divider [13" High] | \$748.00 | \$1,496.00 |
| 4 | 2 | BASB72 | 42" Support Bar | \$173.00 | \$346.00 |
| 5 | 4 | BFB1 | Flat Bracket | \$8.00 | \$32.00 |
| 6 | 1 | BMZ.24 | 24" Braided Mesh Zipper Wire Manager | \$129.00 | \$129.00 |
| 7 | 2 | BPRO24F | BOOST Pro 24" C-Leg Feet, Set of 2 [For Single-Sided Workstations] | \$195.00 | \$390.00 |
| 8 | 2 | BPROF | BOOST Pro Height-Adjustable Frame [For 48"-72" Workstations] | \$1,642.00 | \$3,284.00 |
| 9 | 3 | BPROLAEPB | Boost Pro Long Adjustable Panel Brackets [Set of 2] | \$113.00 | \$339.00 |
| 10 | 2 | BPROLF | BOOST Pro Height-Adjustable L-Shape Frame Adapter Kit | \$1,098.00 | \$2,196.00 |
| 11 | 3 | BPROSAEPB | Boost Pro Short Adjustable Panel Brackets [Set of 2] | \$113.00 | \$339.00 |
| 12 | 2 | BPROSRB | BOOST Pro Power Beam Mounting Brackets, Set of 2 [For Single-Sided Workstations] | \$103.00 | \$206.00 |
| 13 | 2 | DEND.4836 | Delta End Panel for Return Leg [48x36] | \$747.00 | \$1,494.00 |
| 14 | 2 | DFRO.4862-K-OAK | Delta Front Panel Floor Modesty, 2-Piece [48x62] | \$1,130.00 | \$2,260.00 |
| 15 | 2 | DRET.4877SI-K-OAK | Delta Return Panel for Side-Side Stations, 2-Piece [48x77] | \$1,372.00 | \$2,744.00 |
| 16 | 1 | DSID.4836SI | Delta Side Panel for Side-Side Stations [48x36] | \$747.00 | \$747.00 |
| 17 | 2 | ELMBF | EDGE Laminate Mobile Box File | \$907.00 | \$1,814.00 |
| 18 | 2 | GB2442 | 24"x42" Cross-Grain Surface [1" Thick, Includes 1 Pre-Installed Grommet] - FAST | \$317.00 | \$634.00 |
| 19 | 2 | GB3060 | 30"x60" Surface [1" Thick, Includes 2 Pre-Installed Grommets] - FAST | \$575.00 | \$1,150.00 |
| 20 | 2 | KIT-BPROTPB | BOOST Pro Expandable Power Beam and Data Tray [Includes Faceplates, Trim Plates, and Covers For Cutouts] | \$578.00 | \$1,156.00 |
| 21 | 2 | MGCC | Flexible Cable Chain [Includes 46 Links; Magnetic/Screw-Mount Base] | \$302.00 | \$604.00 |
| 22 | 7 | PG9 | Plastic Gasket for BSB9 | \$1.00 | \$7.00 |
| 23 | 2 | PROBC | BOOST Pro In-Line Power Block Connector | \$46.00 | \$92.00 |
| 24 | 2 | PRODB | BOOST Pro Double Power Block | \$249.00 | \$498.00 |
| 25 | 1 | PROIF72 | BOOST Pro 72" In-feed | \$384.00 | \$384.00 |
| 26 | 1 | PROJ49 | BOOST Pro 49" Jumper | \$277.00 | \$277.00 |
| 27 | 2 | PROR2 | BOOST Pro Duplex Receptacle Circuit 2 | \$52.00 | \$104.00 |
| 28 | 2 | PROR3 | BOOST Pro Duplex Receptacle Circuit 3 | \$52.00 | \$104.00 |
| 29 | 2 | PROR4 | BOOST Pro Duplex Receptacle, Controlled, Circuit 4 | \$52.00 | \$104.00 |
| 30 | 2 | PROSB | BOOST Pro Single Power Block | \$172.00 | \$344.00 |
| 31 | 1 | TBRC1830 | 30" Tackboard with Rounded Corners, Velcro for Mounting | \$172.00 | \$172.00 |
| 32 | 2 | TBRC1859 | 59" Tackboard with Rounded Corners, Velcro for Mounting | \$205.00 | \$410.00 |
| 33 | 3 | TBRC1871 | 71" Tackboard with Rounded Corners, Velcro for Mounting | \$248.00 | \$744.00 |
| | | | | Total Clear Design | \$26,932.00 |

DHAM3072R2442-S1



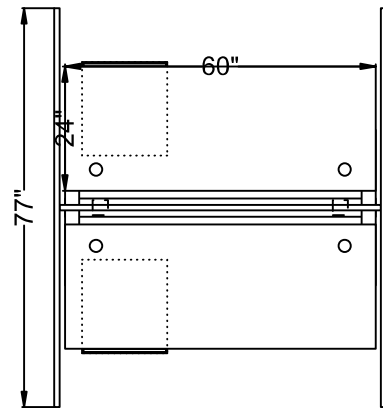
| # | Quantity | Part Number | Description | List | Ext. List |
|--------------|----------|-------------------|---|--------------------------------|------------|
| Clear Design | | | | | |
| 1 | 2 | B12GS33 | 33" Dry Erase Frosted Glass Divider [13" High] | \$360.00 | \$720.00 |
| 2 | 1 | B12GS70 | 71" Dry-Erase Frosted Glass Divider [13" High] | \$748.00 | \$748.00 |
| 3 | 1 | B12GS74 | 74" Dry Erase Frosted Glass Divider [13" High] | \$748.00 | \$748.00 |
| 4 | 1 | BASB72 | 42" Support Bar | \$173.00 | \$173.00 |
| 5 | 1 | BASBPRO | 42" Support Bar | \$0.01 | \$0.01 |
| 6 | 2 | BFB1 | Flat Bracket | \$8.00 | \$16.00 |
| 7 | 1 | BPRO24F | BOOST Pro 24" C-Leg Feet, Set of 2 [For Single-Sided Workstations] | \$195.00 | \$195.00 |
| 8 | 1 | BPROAEPB | BOOST Pro Adjustable Panel Bracket, Set of 2 [For Laminate Panels] | \$243.00 | \$243.00 |
| 9 | 1 | BPROF | BOOST Pro Height-Adjustable Frame [For 48"-72" Workstations] | \$1,642.00 | \$1,642.00 |
| 10 | 2 | BPROLAEPB | Boost Pro Long Adjustable Panel Brackets [Set of 2] | \$113.00 | \$226.00 |
| 11 | 1 | BPROLF | BOOST Pro Height-Adjustable L-Shape Frame Adapter Kit | \$1,098.00 | \$1,098.00 |
| 12 | 1 | BPROSAEPB | Boost Pro Short Adjustable Panel Brackets [Set of 2] | \$113.00 | \$113.00 |
| 13 | 1 | DEND.4836 | Delta End Panel for Return Leg [48x36] | \$747.00 | \$747.00 |
| 14 | 1 | DFRO.4874-K-OAK | Delta Front Panel Floor Modesty, 2-Piece [48x74] | \$1,254.00 | \$1,254.00 |
| 15 | 1 | DRET.4877SI-K-OAK | Delta Return Panel for Side-Side Stations, 2-Piece [48x77] | \$1,372.00 | \$1,372.00 |
| 16 | 1 | DSID.4836SI | Delta Side Panel for Side-Side Stations [48x36] | \$747.00 | \$747.00 |
| 17 | 1 | ELMBF | EDGE Laminate Mobile Box File | \$907.00 | \$907.00 |
| 18 | 1 | GB2442 | 24"x42" Cross-Grain Surface [1" Thick, Includes 1 Pre-Installed Grommet] - FAST | \$317.00 | \$317.00 |
| 19 | 1 | GB3072 | 30"x72" Surface [1" Thick, Includes 2 Pre-Installed Grommets] - FAST | \$660.00 | \$660.00 |
| 20 | 4 | PG9 | Plastic Gasket for BSB9 | \$1.00 | \$4.00 |
| 21 | 1 | TBRC1830 | 30" Tackboard with Rounded Corners, Velcro for Mounting | \$172.00 | \$172.00 |
| 22 | 2 | TBRC1871 | 71" Tackboard with Rounded Corners, Velcro for Mounting | \$248.00 | \$496.00 |
| | | | | Total Clear Design \$12,598.01 | |

DHAM3072R2442-S2



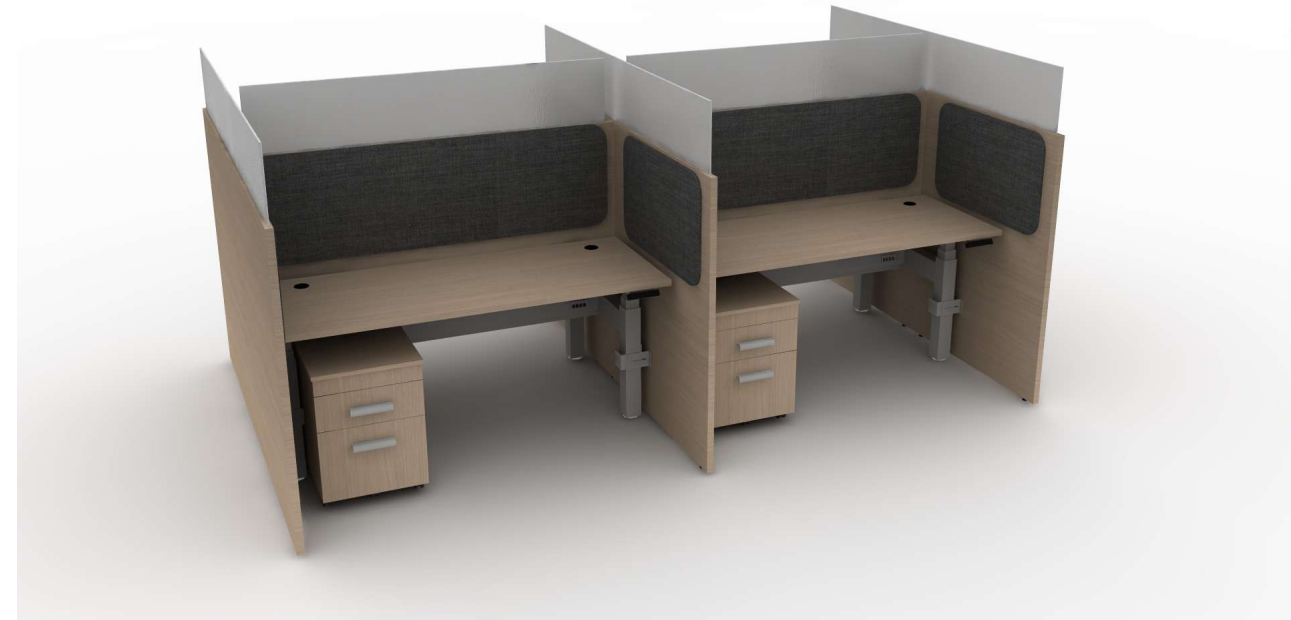
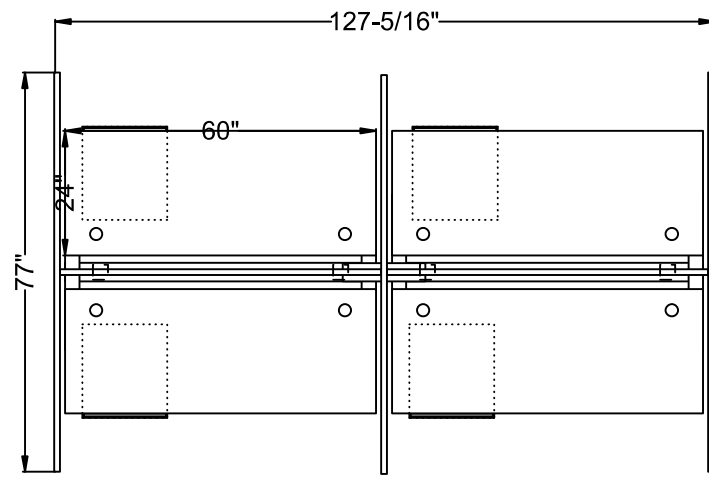
| # | Quantity | Part Number | Description | List | Ext. List |
|--------------|----------|-------------------|--|--------------------------------|------------|
| Clear Design | | | | | |
| 1 | 3 | B12GS33 | 33" Dry Erase Frosted Glass Divider [13" High] | \$360.00 | \$1,080.00 |
| 2 | 2 | B12GS70 | 71" Dry-Erase Frosted Glass Divider [13" High] | \$748.00 | \$1,496.00 |
| 3 | 2 | B12GS74 | 74" Dry Erase Frosted Glass Divider [13" High] | \$748.00 | \$1,496.00 |
| 4 | 2 | BASB72 | 42" Support Bar | \$173.00 | \$346.00 |
| 5 | 2 | BASBPRO | 42" Support Bar | \$0.01 | \$0.02 |
| 6 | 4 | BFB1 | Flat Bracket | \$8.00 | \$32.00 |
| 7 | 1 | BMZ.24 | 24" Braided Mesh Zipper Wire Manager | \$129.00 | \$129.00 |
| 8 | 2 | BPRO24F | BOOST Pro 24" C-Leg Feet, Set of 2 [For Single-Sided Workstations] | \$195.00 | \$390.00 |
| 9 | 2 | BPROAEPB | BOOST Pro Adjustable Panel Bracket, Set of 2 [For Laminate Panels] | \$243.00 | \$486.00 |
| 10 | 2 | BPROF | BOOST Pro Height-Adjustable Frame [For 48"-72" Workstations] | \$1,642.00 | \$3,284.00 |
| 11 | 3 | BPROLAEPB | Boost Pro Long Adjustable Panel Brackets [Set of 2] | \$113.00 | \$339.00 |
| 12 | 2 | BPROLF | BOOST Pro Height-Adjustable L-Shape Frame Adapter Kit | \$1,098.00 | \$2,196.00 |
| 13 | 1 | BPROSAEPB | Boost Pro Short Adjustable Panel Brackets [Set of 2] | \$113.00 | \$113.00 |
| 14 | 2 | BPROSRB | BOOST Pro Power Beam Mounting Brackets, Set of 2 [For Single-Sided Workstations] | \$103.00 | \$206.00 |
| 15 | 2 | DEND.4836 | Delta End Panel for Return Leg [48x36] | \$747.00 | \$1,494.00 |
| 16 | 2 | DFRO.4874-K-OAK | Delta Front Panel Floor Modesty, 2-Piece [48x74] | \$1,254.00 | \$2,508.00 |
| 17 | 2 | DRET.4877SI-K-OAK | Delta Return Panel for Side-Side Stations, 2-Piece [48x77] | \$1,372.00 | \$2,744.00 |
| 18 | 1 | DSID.4836SI | Delta Side Panel for Side-Side Stations [48x36] | \$747.00 | \$747.00 |
| 19 | 2 | ELMBF | EDGE Laminate Mobile Box File | \$907.00 | \$1,814.00 |
| 20 | 2 | GB2442 | 24"x42" Cross-Grain Surface [1" Thick, Includes 1 Pre-Installed Grommet] - FAST | \$317.00 | \$634.00 |
| 21 | 2 | GB3072 | 30"x72" Surface [1" Thick, Includes 2 Pre-Installed Grommets] - FAST | \$660.00 | \$1,320.00 |
| 22 | 2 | KIT-BPROTPB | BOOST Pro Expandable Power Beam and Data Tray [Includes Faceplates, Trim Plates, and Covers For Cutouts] | \$578.00 | \$1,156.00 |
| 23 | 2 | MGCC | Flexible Cable Chain [Includes 46 Links; Magnetic/Screw-Mount Base] | \$302.00 | \$604.00 |
| 24 | 7 | PG9 | Plastic Gasket for BSB9 | \$1.00 | \$7.00 |
| 25 | 2 | PROBC | BOOST Pro In-Line Power Block Connector | \$46.00 | \$92.00 |
| 26 | 2 | PRODB | BOOST Pro Double Power Block | \$249.00 | \$498.00 |
| 27 | 1 | PROIF72 | BOOST Pro 72" In-feed | \$384.00 | \$384.00 |
| 28 | 1 | PROJ61 | BOOST Pro 61" Jumper | \$326.00 | \$326.00 |
| 29 | 2 | PROR1 | BOOST Pro Duplex Receptacle Circuit 1 | \$52.00 | \$104.00 |
| 30 | 1 | PROR2 | BOOST Pro Duplex Receptacle Circuit 2 | \$52.00 | \$52.00 |
| 31 | 2 | PROR3 | BOOST Pro Duplex Receptacle Circuit 3 | \$52.00 | \$104.00 |
| 32 | 1 | PROR4 | BOOST Pro Duplex Receptacle, Controlled, Circuit 4 | \$52.00 | \$52.00 |
| 33 | 2 | PROSB | BOOST Pro Single Power Block | \$172.00 | \$344.00 |
| 34 | 1 | TBRC1830 | 30" Tackboard with Rounded Corners, Velcro for Mounting | \$172.00 | \$172.00 |
| 35 | 5 | TBRC1871 | 71" Tackboard with Rounded Corners, Velcro for Mounting | \$248.00 | \$1,240.00 |
| | | | | Total Clear Design \$27,989.02 | |

DHA2460-F2



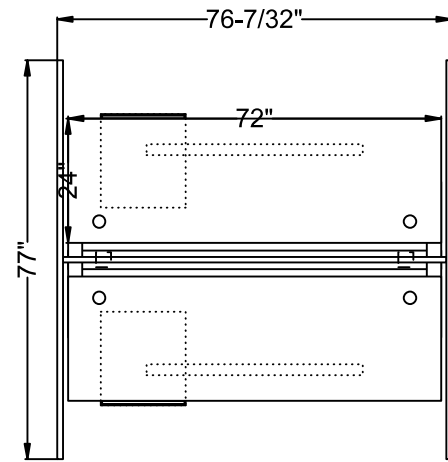
| # | Quantity | Part Number | Description | List | Ext. List |
|--------------|----------|-------------------|--|--------------------|-------------|
| Clear Design | | | | | |
| 1 | 1 | B12GS59 | 59" Dry Erase Frosted Glass Divider [13" High] | \$626.00 | \$626.00 |
| 2 | 2 | B12GS74 | 74" Dry Erase Frosted Glass Divider [13" High] | \$748.00 | \$1,496.00 |
| 3 | 1 | BPROCB | BOOST Pro Cross Beam, Set of 2 [Includes Side Covers, For Facing Workstations] | \$293.00 | \$293.00 |
| 4 | 2 | BPROF | BOOST Pro Height-Adjustable Frame [For 48"-72" Workstations] | \$1,642.00 | \$3,284.00 |
| 5 | 1 | BPROLPC | Boost Pro Laminate Panel Clippers [Set of 2] | \$153.00 | \$153.00 |
| 6 | 2 | BPROSAEPB | Boost Pro Short Adjustable Panel Brackets [Set of 2] | \$113.00 | \$226.00 |
| 7 | 1 | DFRO.2962 | Delta Front Panel Power Beam Mounted [29x62] | \$819.00 | \$819.00 |
| 8 | 2 | DSID.4877FA-K-OAK | Delta Side Panel for Facing Stations, 2-Piece [48x77] | \$1,330.00 | \$2,660.00 |
| 9 | 2 | ELMBF | EDGE Laminate Mobile Box File | \$907.00 | \$1,814.00 |
| 10 | 2 | GB2460 | 24"x60" Surface [1" Thick, Includes 2 Pre-Installed Grommets] - FAST | \$450.00 | \$900.00 |
| 11 | 1 | KIT-BPROTPB | BOOST Pro Expandable Power Beam and Data Tray [Includes Faceplates, Trim Plates, and Covers For Cutouts] | \$578.00 | \$578.00 |
| 12 | 2 | MGCC | Flexible Cable Chain [Includes 46 Links; Magnetic/Screw-Mount Base] | \$302.00 | \$604.00 |
| 13 | 3 | PG9 | Plastic Gasket for BSB9 | \$1.00 | \$3.00 |
| 14 | 1 | PROBC | BOOST Pro In-Line Power Block Connector | \$46.00 | \$46.00 |
| 15 | 1 | PRODB | BOOST Pro Double Power Block | \$249.00 | \$249.00 |
| 16 | 1 | PROIF72 | BOOST Pro 72" In-feed | \$384.00 | \$384.00 |
| 17 | 2 | PROR1 | BOOST Pro Duplex Receptacle Circuit 1 | \$52.00 | \$104.00 |
| 18 | 1 | PROR2 | BOOST Pro Duplex Receptacle Circuit 2 | \$52.00 | \$52.00 |
| 19 | 1 | PROR3 | BOOST Pro Duplex Receptacle Circuit 3 | \$52.00 | \$52.00 |
| 20 | 2 | PROR4 | BOOST Pro Duplex Receptacle, Controlled, Circuit 4 | \$52.00 | \$104.00 |
| 21 | 1 | PROSB | BOOST Pro Single Power Block | \$172.00 | \$172.00 |
| 22 | 4 | TBRC1830 | 30" Tackboard with Rounded Corners, Velcro for Mounting | \$172.00 | \$688.00 |
| 23 | 2 | TBRC1859 | 59" Tackboard with Rounded Corners, Velcro for Mounting | \$205.00 | \$410.00 |
| | | | | Total Clear Design | \$15,717.00 |

DHA2460-F4



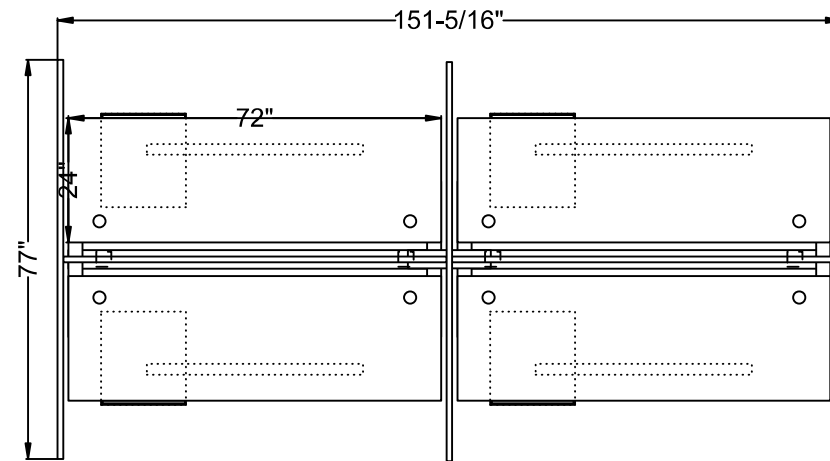
| # | Quantity | Part Number | Description | List | Ext. List |
|--------------|----------|-------------------|--|--------------------------------|------------|
| Clear Design | | | | | |
| 1 | 2 | B12GS59 | 59" Dry Erase Frosted Glass Divider [13" High] | \$626.00 | \$1,252.00 |
| 2 | 3 | B12GS74 | 74" Dry Erase Frosted Glass Divider [13" High] | \$748.00 | \$2,244.00 |
| 3 | 1 | BMZ.24 | 24" Braided Mesh Zipper Wire Manager | \$129.00 | \$129.00 |
| 4 | 2 | BPROCB | BOOST Pro Cross Beam, Set of 2 [Includes Side Covers, For Facing Workstations] | \$293.00 | \$586.00 |
| 5 | 4 | BPROF | BOOST Pro Height-Adjustable Frame [For 48"-72" Workstations] | \$1,642.00 | \$6,568.00 |
| 6 | 2 | BPROLPC | Boost Pro Laminate Panel Clippers [Set of 2] | \$153.00 | \$306.00 |
| 7 | 4 | BPROSAEPB | Boost Pro Short Adjustable Panel Brackets [Set of 2] | \$113.00 | \$452.00 |
| 8 | 2 | DFRO.2962 | Delta Front Panel Power Beam Mounted [29x62] | \$819.00 | \$1,638.00 |
| 9 | 3 | DSID.4877FA-K-OAK | Delta Side Panel for Facing Stations, 2-Piece [48x77] | \$1,330.00 | \$3,990.00 |
| 10 | 4 | ELMBF | EDGE Laminate Mobile Box File | \$907.00 | \$3,628.00 |
| 11 | 4 | GB2460 | 24"x60" Surface [1" Thick, Includes 2 Pre-Installed Grommets] - FAST | \$450.00 | \$1,800.00 |
| 12 | 2 | KIT-BPROTPB | BOOST Pro Expandable Power Beam and Data Tray [Includes Faceplates, Trim Plates, and Covers For Cutouts] | \$578.00 | \$1,156.00 |
| 13 | 4 | MGCC | Flexible Cable Chain [Includes 46 Links; Magnetic/Screw-Mount Base] | \$302.00 | \$1,208.00 |
| 14 | 5 | PG9 | Plastic Gasket for BSB9 | \$1.00 | \$5.00 |
| 15 | 2 | PROBC | BOOST Pro In-Line Power Block Connector | \$46.00 | \$92.00 |
| 16 | 2 | PRODB | BOOST Pro Double Power Block | \$249.00 | \$498.00 |
| 17 | 1 | PROIF72 | BOOST Pro 72" In-feed | \$384.00 | \$384.00 |
| 18 | 1 | PROJ49 | BOOST Pro 49" Jumper | \$277.00 | \$277.00 |
| 19 | 3 | PROR1 | BOOST Pro Duplex Receptacle Circuit 1 | \$52.00 | \$156.00 |
| 20 | 3 | PROR2 | BOOST Pro Duplex Receptacle Circuit 2 | \$52.00 | \$156.00 |
| 21 | 3 | PROR3 | BOOST Pro Duplex Receptacle Circuit 3 | \$52.00 | \$156.00 |
| 22 | 3 | PROR4 | BOOST Pro Duplex Receptacle, Controlled, Circuit 4 | \$52.00 | \$156.00 |
| 23 | 2 | PROSB | BOOST Pro Single Power Block | \$172.00 | \$344.00 |
| 24 | 8 | TBRC1830 | 30" Tackboard with Rounded Corners, Velcro for Mounting | \$172.00 | \$1,376.00 |
| 25 | 4 | TBRC1859 | 59" Tackboard with Rounded Corners, Velcro for Mounting | \$205.00 | \$820.00 |
| | | | | Total Clear Design \$29,377.00 | |

DHA2472-F2



| # | Quantity | Part Number | Description | List | Ext. List |
|--------------|----------|-------------------|--|--------------------------------|------------|
| Clear Design | | | | | |
| 1 | 1 | B12GS70 | 71" Dry-Erase Frosted Glass Divider [13" High] | \$748.00 | \$748.00 |
| 2 | 2 | B12GS74 | 74" Dry Erase Frosted Glass Divider [13" High] | \$748.00 | \$1,496.00 |
| 3 | 2 | BASBPRO | 42" Support Bar | \$0.01 | \$0.02 |
| 4 | 2 | BPROAEPB | BOOST Pro Adjustable Panel Bracket, Set of 2 [For Laminate Panels] | \$243.00 | \$486.00 |
| 5 | 1 | BPROCB | BOOST Pro Cross Beam, Set of 2 [Includes Side Covers, For Facing Workstations] | \$293.00 | \$293.00 |
| 6 | 2 | BPROF | BOOST Pro Height-Adjustable Frame [For 48"-72" Workstations] | \$1,642.00 | \$3,284.00 |
| 7 | 1 | BPROLPC | Boost Pro Laminate Panel Clippers [Set of 2] | \$153.00 | \$153.00 |
| 8 | 1 | DFRO.2974 | Delta Front Panel Power Beam Mounted [29x74] | \$1,075.00 | \$1,075.00 |
| 9 | 2 | DSID.4877FA-K-OAK | Delta Side Panel for Facing Stations, 2-Piece [48x77] | \$1,330.00 | \$2,660.00 |
| 10 | 2 | ELMBF | EDGE Laminate Mobile Box File | \$907.00 | \$1,814.00 |
| 11 | 2 | GB2472 | 24"x72" Surface [1" Thick, Includes 2 Pre-Installed Grommets] - FAST | \$532.00 | \$1,064.00 |
| 12 | 1 | KIT-BPROTPB | BOOST Pro Expandable Power Beam and Data Tray [Includes Faceplates, Trim Plates, and Covers For Cutouts] | \$578.00 | \$578.00 |
| 13 | 2 | MGCC | Flexible Cable Chain [Includes 46 Links; Magnetic/Screw-Mount Base] | \$302.00 | \$604.00 |
| 14 | 3 | PG9 | Plastic Gasket for BSB9 | \$1.00 | \$3.00 |
| 15 | 1 | PROBC | BOOST Pro In-Line Power Block Connector | \$46.00 | \$46.00 |
| 16 | 1 | PRODB | BOOST Pro Double Power Block | \$249.00 | \$249.00 |
| 17 | 1 | PROIF72 | BOOST Pro 72" In-feed | \$384.00 | \$384.00 |
| 18 | 2 | PROR1 | BOOST Pro Duplex Receptacle Circuit 1 | \$52.00 | \$104.00 |
| 19 | 1 | PROR2 | BOOST Pro Duplex Receptacle Circuit 2 | \$52.00 | \$52.00 |
| 20 | 1 | PROR3 | BOOST Pro Duplex Receptacle Circuit 3 | \$52.00 | \$52.00 |
| 21 | 2 | PROR4 | BOOST Pro Duplex Receptacle, Controlled, Circuit 4 | \$52.00 | \$104.00 |
| 22 | 1 | PROSB | BOOST Pro Single Power Block | \$172.00 | \$172.00 |
| 23 | 4 | TBRC1830 | 30" Tackboard with Rounded Corners, Velcro for Mounting | \$172.00 | \$688.00 |
| 24 | 2 | TBRC1871 | 71" Tackboard with Rounded Corners, Velcro for Mounting | \$248.00 | \$496.00 |
| | | | | Total Clear Design \$16,605.02 | |

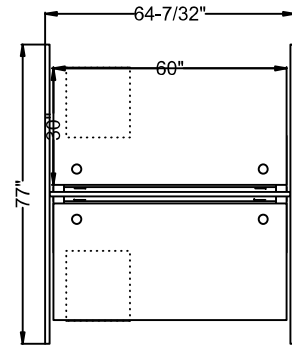
DHA2472-F4



| # | Quantity | Part Number | Description | List | Ext. List |
|--------------|----------|-------------------|--|------------|------------|
| Clear Design | | | | | |
| 1 | 2 | B12GS70 | 71" Dry-Erase Frosted Glass Divider [13" High] | \$748.00 | \$1,496.00 |
| 2 | 3 | B12GS74 | 74" Dry Erase Frosted Glass Divider [13" High] | \$748.00 | \$2,244.00 |
| 3 | 4 | BASBPRO | 42" Support Bar | \$0.01 | \$0.04 |
| 4 | 1 | BMZ.24 | 24" Braided Mesh Zipper Wire Manager | \$129.00 | \$129.00 |
| 5 | 4 | BPROAEPB | BOOST Pro Adjustable Panel Bracket, Set of 2 [For Laminate Panels] | \$243.00 | \$972.00 |
| 6 | 2 | BPROCB | BOOST Pro Cross Beam, Set of 2 [Includes Side Covers, For Facing Workstations] | \$293.00 | \$586.00 |
| 7 | 4 | BPROF | BOOST Pro Height-Adjustable Frame [For 48"-72" Workstations] | \$1,642.00 | \$6,568.00 |
| 8 | 2 | BPROLPC | Boost Pro Laminate Panel Clippers [Set of 2] | \$153.00 | \$306.00 |
| 9 | 2 | DFRO.2974 | Delta Front Panel Power Beam Mounted [29x74] | \$1,075.00 | \$2,150.00 |
| 10 | 3 | DSID.4877FA-K-OAK | Delta Side Panel for Facing Stations, 2-Piece [48x77] | \$1,330.00 | \$3,990.00 |
| 11 | 4 | ELMBF | EDGE Laminate Mobile Box File | \$907.00 | \$3,628.00 |
| 12 | 4 | GB2472 | 24"x72" Surface [1" Thick, Includes 2 Pre-Installed Grommets] - FAST | \$532.00 | \$2,128.00 |
| 13 | 2 | KIT-BPROTPB | BOOST Pro Expandable Power Beam and Data Tray [Includes Faceplates, Trim Plates, and Covers For Cutouts] | \$578.00 | \$1,156.00 |
| 14 | 4 | MGCC | Flexible Cable Chain [Includes 46 Links; Magnetic/Screw-Mount Base] | \$302.00 | \$1,208.00 |
| 15 | 5 | PG9 | Plastic Gasket for BSB9 | \$1.00 | \$5.00 |
| 16 | 2 | PROBC | BOOST Pro In-Line Power Block Connector | \$46.00 | \$92.00 |
| 17 | 2 | PRODB | BOOST Pro Double Power Block | \$249.00 | \$498.00 |
| 18 | 1 | PROIF72 | BOOST Pro 72" In-feed | \$384.00 | \$384.00 |
| 19 | 1 | PROJ61 | BOOST Pro 61" Jumper | \$326.00 | \$326.00 |
| 20 | 4 | PROR1 | BOOST Pro Duplex Receptacle Circuit 1 | \$52.00 | \$208.00 |
| 21 | 2 | PROR2 | BOOST Pro Duplex Receptacle Circuit 2 | \$52.00 | \$104.00 |
| 22 | 2 | PROR3 | BOOST Pro Duplex Receptacle Circuit 3 | \$52.00 | \$104.00 |
| 23 | 4 | PROR4 | BOOST Pro Duplex Receptacle, Controlled, Circuit 4 | \$52.00 | \$208.00 |
| 24 | 2 | PROSB | BOOST Pro Single Power Block | \$172.00 | \$344.00 |
| 25 | 8 | TBRC1830 | 30" Tackboard with Rounded Corners, Velcro for Mounting | \$172.00 | \$1,376.00 |
| 26 | 4 | TBRC1871 | 71" Tackboard with Rounded Corners, Velcro for Mounting | \$248.00 | \$992.00 |

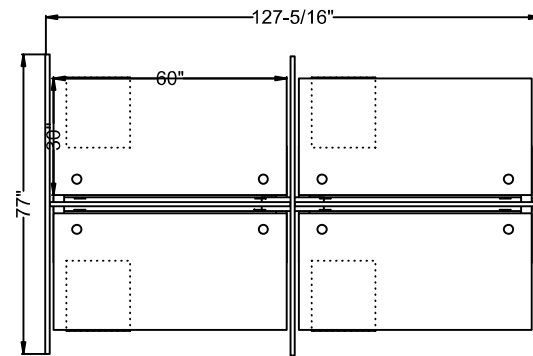
Total Clear Design \$31,202.04

DHA3060-F2



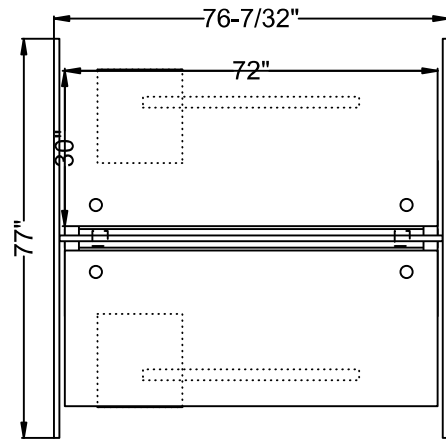
| # | Quantity | Part Number | Description | List | Ext. List |
|--------------|----------|-------------------|--|--------------------|-------------|
| Clear Design | | | | | |
| 1 | 1 | B12GS59 | 59" Dry Erase Frosted Glass Divider [13" High] | \$626.00 | \$626.00 |
| 2 | 2 | B12GS74 | 74" Dry Erase Frosted Glass Divider [13" High] | \$748.00 | \$1,496.00 |
| 3 | 1 | BPROCB | BOOST Pro Cross Beam, Set of 2 [Includes Side Covers, For Facing Workstations] | \$293.00 | \$293.00 |
| 4 | 2 | BPROF | BOOST Pro Height-Adjustable Frame [For 48"-72" Workstations] | \$1,642.00 | \$3,284.00 |
| 5 | 1 | BPROLPC | Boost Pro Laminate Panel Clippers [Set of 2] | \$153.00 | \$153.00 |
| 6 | 2 | BPROSAEPB | Boost Pro Short Adjustable Panel Brackets [Set of 2] | \$113.00 | \$226.00 |
| 7 | 1 | DFRO.2962 | Delta Front Panel Power Beam Mounted [29x62] | \$819.00 | \$819.00 |
| 8 | 2 | DSID.4877FA-K-OAK | Delta Side Panel for Facing Stations, 2-Piece [48x77] | \$1,330.00 | \$2,660.00 |
| 9 | 2 | ELMBF | EDGE Laminate Mobile Box File | \$907.00 | \$1,814.00 |
| 10 | 2 | GB3060 | 30"x60" Surface [1" Thick, Includes 2 Pre-Installed Grommets] - FAST | \$575.00 | \$1,150.00 |
| 11 | 1 | KIT-BPROTPB | BOOST Pro Expandable Power Beam and Data Tray [Includes Faceplates, Trim Plates, and Covers For Cutouts] | \$578.00 | \$578.00 |
| 12 | 2 | MGCC | Flexible Cable Chain [Includes 46 Links; Magnetic/Screw-Mount Base] | \$302.00 | \$604.00 |
| 13 | 3 | PG9 | Plastic Gasket for BSB9 | \$1.00 | \$3.00 |
| 14 | 1 | PROBC | BOOST Pro In-Line Power Block Connector | \$46.00 | \$46.00 |
| 15 | 1 | PRODB | BOOST Pro Double Power Block | \$249.00 | \$249.00 |
| 16 | 1 | PROIF72 | BOOST Pro 72" In-feed | \$384.00 | \$384.00 |
| 17 | 1 | PROR1 | BOOST Pro Duplex Receptacle Circuit 1 | \$52.00 | \$52.00 |
| 18 | 2 | PROR2 | BOOST Pro Duplex Receptacle Circuit 2 | \$52.00 | \$104.00 |
| 19 | 2 | PROR3 | BOOST Pro Duplex Receptacle Circuit 3 | \$52.00 | \$104.00 |
| 20 | 1 | PROR4 | BOOST Pro Duplex Receptacle, Controlled, Circuit 4 | \$52.00 | \$52.00 |
| 21 | 1 | PROSB | BOOST Pro Single Power Block | \$172.00 | \$172.00 |
| 22 | 4 | TBRC1830 | 30" Tackboard with Rounded Corners, Velcro for Mounting | \$172.00 | \$688.00 |
| 23 | 2 | TBRC1859 | 59" Tackboard with Rounded Corners, Velcro for Mounting | \$205.00 | \$410.00 |
| | | | | Total Clear Design | \$15,967.00 |

DHA3060-F4



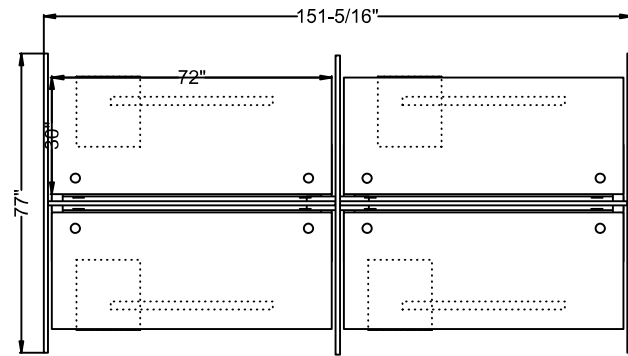
| # | Quantity | Part Number | Description | List | Ext. List |
|--------------|----------|-------------------|--|--------------------------------|------------|
| Clear Design | | | | | |
| 1 | 2 | B12GS59 | 59" Dry Erase Frosted Glass Divider [13" High] | \$626.00 | \$1,252.00 |
| 2 | 3 | B12GS74 | 74" Dry Erase Frosted Glass Divider [13" High] | \$748.00 | \$2,244.00 |
| 3 | 1 | BMZ.24 | 24" Braided Mesh Zipper Wire Manager | \$129.00 | \$129.00 |
| 4 | 2 | BPROCB | BOOST Pro Cross Beam, Set of 2 [Includes Side Covers, For Facing Workstations] | \$293.00 | \$586.00 |
| 5 | 4 | BPROF | BOOST Pro Height-Adjustable Frame [For 48"-72" Workstations] | \$1,642.00 | \$6,568.00 |
| 6 | 2 | BPROLPC | Boost Pro Laminate Panel Clippers [Set of 2] | \$153.00 | \$306.00 |
| 7 | 4 | BPROSAEPB | Boost Pro Short Adjustable Panel Brackets [Set of 2] | \$113.00 | \$452.00 |
| 8 | 2 | DFRO.2962 | Delta Front Panel Power Beam Mounted [29x62] | \$819.00 | \$1,638.00 |
| 9 | 3 | DSID.4877FA-K-OAK | Delta Side Panel for Facing Stations, 2-Piece [48x77] | \$1,330.00 | \$3,990.00 |
| 10 | 4 | ELMBF | EDGE Laminate Mobile Box File | \$907.00 | \$3,628.00 |
| 11 | 4 | GB3060 | 30"x60" Surface [1" Thick, Includes 2 Pre-Installed Grommets] - FAST | \$575.00 | \$2,300.00 |
| 12 | 2 | KIT-BPROTPB | BOOST Pro Expandable Power Beam and Data Tray [Includes Faceplates, Trim Plates, and Covers For Cutouts] | \$578.00 | \$1,156.00 |
| 13 | 4 | MGCC | Flexible Cable Chain [Includes 46 Links; Magnetic/Screw-Mount Base] | \$302.00 | \$1,208.00 |
| 14 | 5 | PG9 | Plastic Gasket for BSB9 | \$1.00 | \$5.00 |
| 15 | 2 | PROBC | BOOST Pro In-Line Power Block Connector | \$46.00 | \$92.00 |
| 16 | 2 | PRODB | BOOST Pro Double Power Block | \$249.00 | \$498.00 |
| 17 | 1 | PROIF72 | BOOST Pro 72" In-feed | \$384.00 | \$384.00 |
| 18 | 1 | PROJ49 | BOOST Pro 49" Jumper | \$277.00 | \$277.00 |
| 19 | 2 | PROR1 | BOOST Pro Duplex Receptacle Circuit 1 | \$52.00 | \$104.00 |
| 20 | 3 | PROR2 | BOOST Pro Duplex Receptacle Circuit 2 | \$52.00 | \$156.00 |
| 21 | 4 | PROR3 | BOOST Pro Duplex Receptacle Circuit 3 | \$52.00 | \$208.00 |
| 22 | 3 | PROR4 | BOOST Pro Duplex Receptacle, Controlled, Circuit 4 | \$52.00 | \$156.00 |
| 23 | 2 | PROSB | BOOST Pro Single Power Block | \$172.00 | \$344.00 |
| 24 | 8 | TBRC1830 | 30" Tackboard with Rounded Corners, Velcro for Mounting | \$172.00 | \$1,376.00 |
| 25 | 4 | TBRC1859 | 59" Tackboard with Rounded Corners, Velcro for Mounting | \$205.00 | \$820.00 |
| | | | | Total Clear Design \$29,877.00 | |

DHA3072-F2



| # | Quantity | Part Number | Description | List | Ext. List |
|--------------|----------|-------------------|--|--------------------|-------------|
| Clear Design | | | | | |
| 1 | 1 | B12GS70 | 71" Dry-Erase Frosted Glass Divider [13" High] | \$748.00 | \$748.00 |
| 2 | 2 | B12GS74 | 74" Dry Erase Frosted Glass Divider [13" High] | \$748.00 | \$1,496.00 |
| 3 | 2 | BASBPRO | 42" Support Bar | \$0.01 | \$0.02 |
| 4 | 2 | BPROAEPB | BOOST Pro Adjustable Panel Bracket, Set of 2 [For Laminate Panels] | \$243.00 | \$486.00 |
| 5 | 1 | BPROCB | BOOST Pro Cross Beam, Set of 2 [Includes Side Covers, For Facing Workstations] | \$293.00 | \$293.00 |
| 6 | 2 | BPROF | BOOST Pro Height-Adjustable Frame [For 48"-72" Workstations] | \$1,642.00 | \$3,284.00 |
| 7 | 1 | BPROLPC | Boost Pro Laminate Panel Clippers [Set of 2] | \$153.00 | \$153.00 |
| 8 | 1 | DFRO.2974 | Delta Front Panel Power Beam Mounted [29x74] | \$1,075.00 | \$1,075.00 |
| 9 | 2 | DSID.4877FA-K-OAK | Delta Side Panel for Facing Stations, 2-Piece [48x77] | \$1,330.00 | \$2,660.00 |
| 10 | 2 | ELMBF | EDGE Laminate Mobile Box File | \$907.00 | \$1,814.00 |
| 11 | 2 | GB3072 | 30"x72" Surface [1" Thick, Includes 2 Pre-Installed Grommets] - FAST | \$660.00 | \$1,320.00 |
| 12 | 1 | KIT-BPROTPB | BOOST Pro Expandable Power Beam and Data Tray [Includes Faceplates, Trim Plates, and Covers For Cutouts] | \$578.00 | \$578.00 |
| 13 | 2 | MGCC | Flexible Cable Chain [Includes 46 Links; Magnetic/Screw-Mount Base] | \$302.00 | \$604.00 |
| 14 | 3 | PG9 | Plastic Gasket for BSB9 | \$1.00 | \$3.00 |
| 15 | 1 | PROBC | BOOST Pro In-Line Power Block Connector | \$46.00 | \$46.00 |
| 16 | 1 | PRODB | BOOST Pro Double Power Block | \$249.00 | \$249.00 |
| 17 | 1 | PROIF72 | BOOST Pro 72" In-feed | \$384.00 | \$384.00 |
| 18 | 1 | PROR1 | BOOST Pro Duplex Receptacle Circuit 1 | \$52.00 | \$52.00 |
| 19 | 1 | PROR2 | BOOST Pro Duplex Receptacle Circuit 2 | \$52.00 | \$52.00 |
| 20 | 2 | PROR3 | BOOST Pro Duplex Receptacle Circuit 3 | \$52.00 | \$104.00 |
| 21 | 2 | PROR4 | BOOST Pro Duplex Receptacle, Controlled, Circuit 4 | \$52.00 | \$104.00 |
| 22 | 1 | PROSB | BOOST Pro Single Power Block | \$172.00 | \$172.00 |
| 23 | 4 | TBRC1830 | 30" Tackboard with Rounded Corners, Velcro for Mounting | \$172.00 | \$688.00 |
| 24 | 2 | TBRC1871 | 71" Tackboard with Rounded Corners, Velcro for Mounting | \$248.00 | \$496.00 |
| | | | | Total Clear Design | \$16,861.02 |

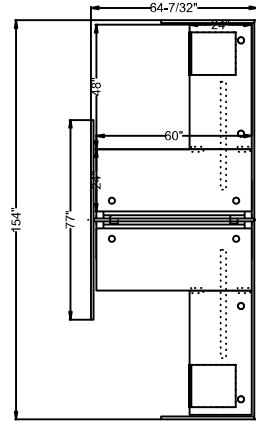
DHA3072-F4



| # | Quantity | Part Number | Description | List | Ext. List |
|--------------|----------|-------------------|--|------------|------------|
| Clear Design | | | | | |
| 1 | 2 | B12GS70 | 71" Dry-Erase Frosted Glass Divider [13" High] | \$748.00 | \$1,496.00 |
| 2 | 3 | B12GS74 | 74" Dry Erase Frosted Glass Divider [13" High] | \$748.00 | \$2,244.00 |
| 3 | 4 | BASBPRO | 42" Support Bar | \$0.01 | \$0.04 |
| 4 | 1 | BMZ.24 | 24" Braided Mesh Zipper Wire Manager | \$129.00 | \$129.00 |
| 5 | 4 | BPROAEPB | BOOST Pro Adjustable Panel Bracket, Set of 2 [For Laminate Panels] | \$243.00 | \$972.00 |
| 6 | 2 | BPROCB | BOOST Pro Cross Beam, Set of 2 [Includes Side Covers, For Facing Workstations] | \$293.00 | \$586.00 |
| 7 | 4 | BPROF | BOOST Pro Height-Adjustable Frame [For 48"-72" Workstations] | \$1,642.00 | \$6,568.00 |
| 8 | 2 | BPROLPC | Boost Pro Laminate Panel Clippers [Set of 2] | \$153.00 | \$306.00 |
| 9 | 2 | DFRO.2974 | Delta Front Panel Power Beam Mounted [29x74] | \$1,075.00 | \$2,150.00 |
| 10 | 3 | DSID.4877FA-K-OAK | Delta Side Panel for Facing Stations, 2-Piece [48x77] | \$1,330.00 | \$3,990.00 |
| 11 | 4 | ELMBF | EDGE Laminate Mobile Box File | \$907.00 | \$3,628.00 |
| 12 | 4 | GB3072 | 30"x72" Surface [1" Thick, Includes 2 Pre-Installed Grommets] - FAST | \$660.00 | \$2,640.00 |
| 13 | 2 | KIT-BPROTPB | BOOST Pro Expandable Power Beam and Data Tray [Includes Faceplates, Trim Plates, and Covers For Cutouts] | \$578.00 | \$1,156.00 |
| 14 | 4 | MGCC | Flexible Cable Chain [Includes 46 Links; Magnetic/Screw-Mount Base] | \$302.00 | \$1,208.00 |
| 15 | 5 | PG9 | Plastic Gasket for BSB9 | \$1.00 | \$5.00 |
| 16 | 2 | PROBC | BOOST Pro In-Line Power Block Connector | \$46.00 | \$92.00 |
| 17 | 2 | PRODB | BOOST Pro Double Power Block | \$249.00 | \$498.00 |
| 18 | 1 | PROIF72 | BOOST Pro 72" In-feed | \$384.00 | \$384.00 |
| 19 | 1 | PROJ61 | BOOST Pro 61" Jumper | \$326.00 | \$326.00 |
| 20 | 3 | PROR1 | BOOST Pro Duplex Receptacle Circuit 1 | \$52.00 | \$156.00 |
| 21 | 3 | PROR2 | BOOST Pro Duplex Receptacle Circuit 2 | \$52.00 | \$156.00 |
| 22 | 3 | PROR3 | BOOST Pro Duplex Receptacle Circuit 3 | \$52.00 | \$156.00 |
| 23 | 3 | PROR4 | BOOST Pro Duplex Receptacle, Controlled, Circuit 4 | \$52.00 | \$156.00 |
| 24 | 2 | PROSB | BOOST Pro Single Power Block | \$172.00 | \$344.00 |
| 25 | 8 | TBRC1830 | 30" Tackboard with Rounded Corners, Velcro for Mounting | \$172.00 | \$1,376.00 |
| 26 | 4 | TBRC1871 | 71" Tackboard with Rounded Corners, Velcro for Mounting | \$248.00 | \$992.00 |

Total Clear Design \$31,714.04

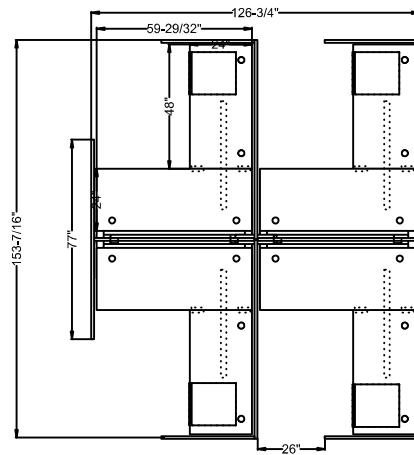
DHAM2460R2448-F2



| # | Quantity | Part Number | Description | List | Ext. List |
|--------------|----------|-------------------|--|------------|------------|
| Clear Design | | | | | |
| 1 | 2 | B12GS33 | 33" Dry Erase Frosted Glass Divider [13" High] | \$360.00 | \$720.00 |
| 2 | 1 | B12GS59 | 59" Dry Erase Frosted Glass Divider [13" High] | \$626.00 | \$626.00 |
| 3 | 3 | B12GS74 | 74" Dry Erase Frosted Glass Divider [13" High] | \$748.00 | \$2,244.00 |
| 4 | 2 | BASB72 | 42" Support Bar | \$173.00 | \$346.00 |
| 5 | 4 | BFB1 | Flat Bracket | \$8.00 | \$32.00 |
| 6 | 1 | BPROCB | BOOST Pro Cross Beam, Set of 2 [Includes Side Covers, For Facing Workstations] | \$293.00 | \$293.00 |
| 7 | 2 | BPROF | BOOST Pro Height-Adjustable Frame [For 48"-72" Workstations] | \$1,642.00 | \$3,284.00 |
| 8 | 1 | BPROLAEPB | Boost Pro Long Adjustable Panel Brackets [Set of 2] | \$113.00 | \$113.00 |
| 9 | 2 | BPROLF | BOOST Pro Height-Adjustable L-Shape Frame Adapter Kit | \$1,098.00 | \$2,196.00 |
| 10 | 1 | BPROLPC | Boost Pro Laminate Panel Clippers [Set of 2] | \$153.00 | \$153.00 |
| 11 | 3 | BPROSAEPB | Boost Pro Short Adjustable Panel Brackets [Set of 2] | \$113.00 | \$339.00 |
| 12 | 2 | DEND.4836 | Delta End Panel for Return Leg [48x36] | \$747.00 | \$1,494.00 |
| 13 | 1 | DFRO.2962 | Delta Front Panel Power Beam Mounted [29x62] | \$819.00 | \$819.00 |
| 14 | 2 | DRET.4877FA-K-OAK | Delta Return Panel for Facing Stations, 2-Piece [48x77] | \$1,382.00 | \$2,764.00 |
| 15 | 1 | DSID.4877FA-K-OAK | Delta Side Panel for Facing Stations, 2-Piece [48x77] | \$1,330.00 | \$1,330.00 |
| 16 | 2 | ELMBF | EDGE Laminate Mobile Box File | \$907.00 | \$1,814.00 |
| 17 | 2 | GB2448 | 24"x48" Surface [1" Thick, Includes 2 Pre-Installed Grommets] - FAST | \$363.00 | \$726.00 |
| 18 | 2 | GB2460 | 24"x60" Surface [1" Thick, Includes 2 Pre-Installed Grommets] - FAST | \$450.00 | \$900.00 |
| 19 | 1 | KIT-BPROTPB | BOOST Pro Expandable Power Beam and Data Tray [Includes Faceplates, Trim Plates, and Covers For Cutouts] | \$578.00 | \$578.00 |
| 20 | 2 | MGCC | Flexible Cable Chain [Includes 46 Links; Magnetic/Screw-Mount Base] | \$302.00 | \$604.00 |
| 21 | 6 | PG9 | Plastic Gasket for BSB9 | \$1.00 | \$6.00 |
| 22 | 1 | PROBC | BOOST Pro In-Line Power Block Connector | \$46.00 | \$46.00 |
| 23 | 1 | PRODB | BOOST Pro Double Power Block | \$249.00 | \$249.00 |
| 24 | 1 | PROIF72 | BOOST Pro 72" In-feed | \$384.00 | \$384.00 |
| 25 | 1 | PROR1 | BOOST Pro Duplex Receptacle Circuit 1 | \$52.00 | \$52.00 |
| 26 | 2 | PROR2 | BOOST Pro Duplex Receptacle Circuit 2 | \$52.00 | \$104.00 |
| 27 | 2 | PROR3 | BOOST Pro Duplex Receptacle Circuit 3 | \$52.00 | \$104.00 |
| 28 | 1 | PROR4 | BOOST Pro Duplex Receptacle, Controlled, Circuit 4 | \$52.00 | \$52.00 |
| 29 | 1 | PROSB | BOOST Pro Single Power Block | \$172.00 | \$172.00 |
| 30 | 2 | TBRC1830 | 30" Tackboard with Rounded Corners, Velcro for Mounting | \$172.00 | \$344.00 |
| 31 | 2 | TBRC1859 | 59" Tackboard with Rounded Corners, Velcro for Mounting | \$205.00 | \$410.00 |
| 32 | 2 | TBRC1871 | 71" Tackboard with Rounded Corners, Velcro for Mounting | \$248.00 | \$496.00 |

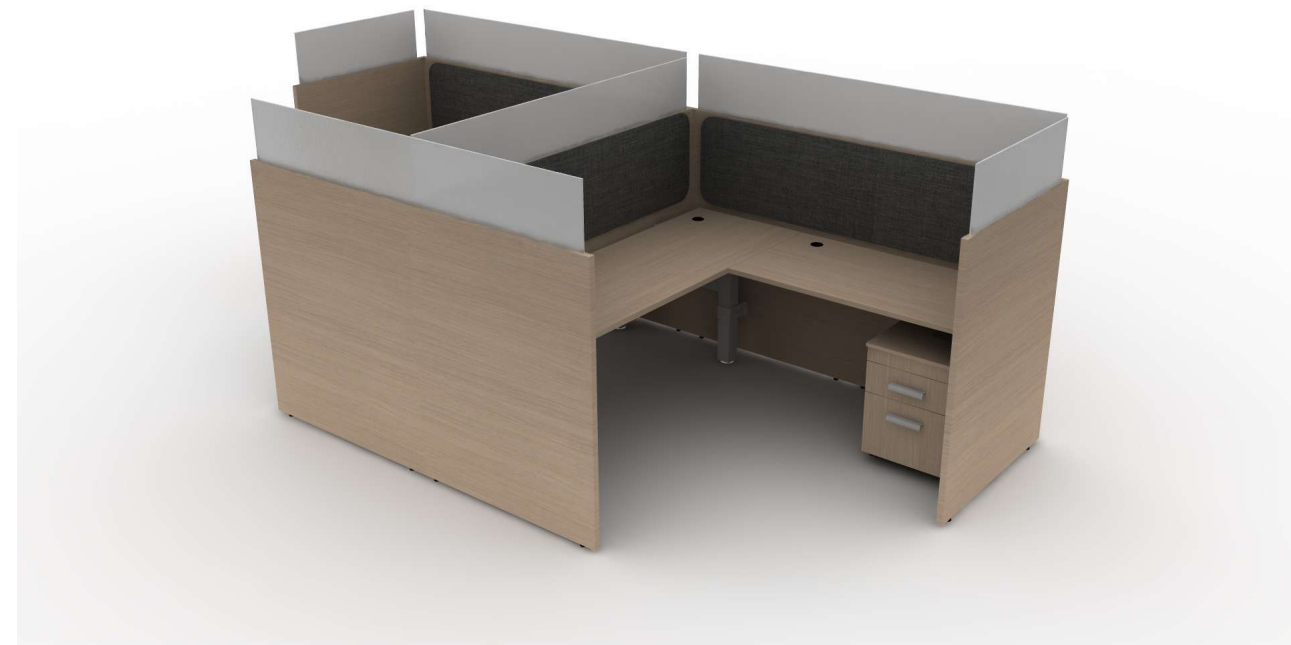
Total Clear Design \$23,794.00

DHAM2460R2448-F4



| # | Quantity | Part Number | Description | List | Ext. List |
|--------------|----------|-------------------|--|--------------------------------|------------|
| Clear Design | | | | | |
| 1 | 4 | B12GS33 | 33" Dry Erase Frosted Glass Divider [13" High] | \$360.00 | \$1,440.00 |
| 2 | 2 | B12GS59 | 59" Dry Erase Frosted Glass Divider [13" High] | \$626.00 | \$1,252.00 |
| 3 | 5 | B12GS74 | 74" Dry Erase Frosted Glass Divider [13" High] | \$748.00 | \$3,740.00 |
| 4 | 4 | BASB72 | 42" Support Bar | \$173.00 | \$692.00 |
| 5 | 8 | BFB1 | Flat Bracket | \$8.00 | \$64.00 |
| 6 | 1 | BMZ.24 | 24" Braided Mesh Zipper Wire Manager | \$129.00 | \$129.00 |
| 7 | 2 | BPROCB | BOOST Pro Cross Beam, Set of 2 [Includes Side Covers, For Facing Workstations] | \$293.00 | \$586.00 |
| 8 | 4 | BPROF | BOOST Pro Height-Adjustable Frame [For 48"-72" Workstations] | \$1,642.00 | \$6,568.00 |
| 9 | 2 | BPROLAEPB | Boost Pro Long Adjustable Panel Brackets [Set of 2] | \$113.00 | \$226.00 |
| 10 | 4 | BPROLFC | BOOST Pro Height-Adjustable L-Shape Frame Adapter Kit | \$1,098.00 | \$4,392.00 |
| 11 | 2 | BPROLPC | Boost Pro Laminate Panel Clippers [Set of 2] | \$153.00 | \$306.00 |
| 12 | 6 | BPROSAEPB | Boost Pro Short Adjustable Panel Brackets [Set of 2] | \$113.00 | \$678.00 |
| 13 | 4 | DEND.4836 | Delta End Panel for Return Leg [48x36] | \$747.00 | \$2,988.00 |
| 14 | 2 | DFRO.2962 | Delta Front Panel Power Beam Mounted [29x62] | \$819.00 | \$1,638.00 |
| 15 | 4 | DRET.4877FA-K-OAK | Delta Return Panel for Facing Stations, 2-Piece [48x77] | \$1,382.00 | \$5,528.00 |
| 16 | 1 | DSID.4877FA-K-OAK | Delta Side Panel for Facing Stations, 2-Piece [48x77] | \$1,330.00 | \$1,330.00 |
| 17 | 4 | ELMBF | EDGE Laminate Mobile Box File | \$907.00 | \$3,628.00 |
| 18 | 4 | GB2448 | 24"x48" Surface [1" Thick, Includes 2 Pre-Installed Grommets] - FAST | \$363.00 | \$1,452.00 |
| 19 | 4 | GB2460 | 24"x60" Surface [1" Thick, Includes 2 Pre-Installed Grommets] - FAST | \$450.00 | \$1,800.00 |
| 20 | 2 | KIT-BPROTPB | BOOST Pro Expandable Power Beam and Data Tray [Includes Faceplates, Trim Plates, and Covers For Cutouts] | \$578.00 | \$1,156.00 |
| 21 | 4 | MGCC | Flexible Cable Chain [Includes 46 Links; Magnetic/Screw-Mount Base] | \$302.00 | \$1,208.00 |
| 22 | 11 | PG9 | Plastic Gasket for BSB9 | \$1.00 | \$11.00 |
| 23 | 2 | PROBC | BOOST Pro In-Line Power Block Connector | \$46.00 | \$92.00 |
| 24 | 2 | PRODB | BOOST Pro Double Power Block | \$249.00 | \$498.00 |
| 25 | 1 | PROIF72 | BOOST Pro 72" In-feed | \$384.00 | \$384.00 |
| 26 | 1 | PROJ49 | BOOST Pro 49" Jumper | \$277.00 | \$277.00 |
| 27 | 2 | PROR1 | BOOST Pro Duplex Receptacle Circuit 1 | \$52.00 | \$104.00 |
| 28 | 3 | PROR2 | BOOST Pro Duplex Receptacle Circuit 2 | \$52.00 | \$156.00 |
| 29 | 4 | PROR3 | BOOST Pro Duplex Receptacle Circuit 3 | \$52.00 | \$208.00 |
| 30 | 3 | PROR4 | BOOST Pro Duplex Receptacle, Controlled, Circuit 4 | \$52.00 | \$156.00 |
| 31 | 2 | PROSB | BOOST Pro Single Power Block | \$172.00 | \$344.00 |
| 32 | 2 | TBRC1830 | 30" Tackboard with Rounded Corners, Velcro for Mounting | \$172.00 | \$344.00 |
| 33 | 4 | TBRC1859 | 59" Tackboard with Rounded Corners, Velcro for Mounting | \$205.00 | \$820.00 |
| 34 | 6 | TBRC1871 | 71" Tackboard with Rounded Corners, Velcro for Mounting | \$248.00 | \$1,488.00 |
| | | | | Total Clear Design \$45,683.00 | |

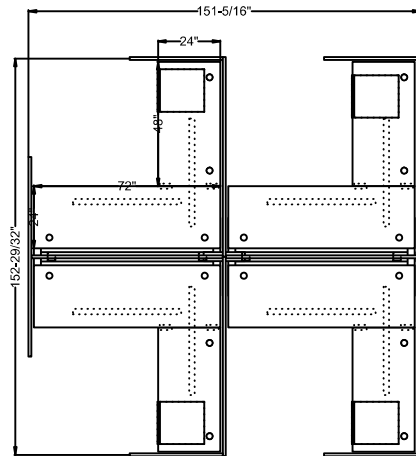
DHAM2472R2448-F2



| # | Quantity | Part Number | Description | List | Ext. List |
|--------------|----------|-------------------|--|------------|------------|
| Clear Design | | | | | |
| 1 | 2 | B12GS33 | 33" Dry Erase Frosted Glass Divider [13" High] | \$360.00 | \$720.00 |
| 2 | 1 | B12GS70 | 71" Dry-Erase Frosted Glass Divider [13" High] | \$748.00 | \$748.00 |
| 3 | 3 | B12GS74 | 74" Dry Erase Frosted Glass Divider [13" High] | \$748.00 | \$2,244.00 |
| 4 | 2 | BASB72 | 42" Support Bar | \$173.00 | \$346.00 |
| 5 | 2 | BASBPRO | 42" Support Bar | \$0.01 | \$0.02 |
| 6 | 4 | BFB1 | Flat Bracket | \$8.00 | \$32.00 |
| 7 | 2 | BPROAEPB | BOOST Pro Adjustable Panel Bracket, Set of 2 [For Laminate Panels] | \$243.00 | \$486.00 |
| 8 | 1 | BPROCB | BOOST Pro Cross Beam, Set of 2 [Includes Side Covers, For Facing Workstations] | \$293.00 | \$293.00 |
| 9 | 2 | BPROF | BOOST Pro Height-Adjustable Frame [For 48"-72" Workstations] | \$1,642.00 | \$3,284.00 |
| 10 | 1 | BPROLAEPB | Boost Pro Long Adjustable Panel Brackets [Set of 2] | \$113.00 | \$113.00 |
| 11 | 2 | BPROLF | BOOST Pro Height-Adjustable L-Shape Frame Adapter Kit | \$1,098.00 | \$2,196.00 |
| 12 | 1 | BPROLPC | Boost Pro Laminate Panel Clippers [Set of 2] | \$153.00 | \$153.00 |
| 13 | 1 | BPROSAEPB | Boost Pro Short Adjustable Panel Brackets [Set of 2] | \$113.00 | \$113.00 |
| 14 | 2 | DEND.4836 | Delta End Panel for Return Leg [48x36] | \$747.00 | \$1,494.00 |
| 15 | 1 | DFRO.2974 | Delta Front Panel Power Beam Mounted [29x74] | \$1,075.00 | \$1,075.00 |
| 16 | 2 | DRET.4877FA-K-OAK | Delta Return Panel for Facing Stations, 2-Piece [48x77] | \$1,382.00 | \$2,764.00 |
| 17 | 1 | DSID.4877FA-K-OAK | Delta Side Panel for Facing Stations, 2-Piece [48x77] | \$1,330.00 | \$1,330.00 |
| 18 | 2 | ELMBF | EDGE Laminate Mobile Box File | \$907.00 | \$1,814.00 |
| 19 | 2 | GB2448 | 24"x48" Surface [1" Thick, Includes 2 Pre-Installed Grommets] - FAST | \$363.00 | \$726.00 |
| 20 | 2 | GB2472 | 24"x72" Surface [1" Thick, Includes 2 Pre-Installed Grommets] - FAST | \$532.00 | \$1,064.00 |
| 21 | 1 | KIT-BPROTPB | BOOST Pro Expandable Power Beam and Data Tray [Includes Faceplates, Trim Plates, and Covers For Cutouts] | \$578.00 | \$578.00 |
| 22 | 2 | MGCC | Flexible Cable Chain [Includes 46 Links; Magnetic/Screw-Mount Base] | \$302.00 | \$604.00 |
| 23 | 6 | PG9 | Plastic Gasket for BSB9 | \$1.00 | \$6.00 |
| 24 | 1 | PROBC | BOOST Pro In-Line Power Block Connector | \$46.00 | \$46.00 |
| 25 | 1 | PRODB | BOOST Pro Double Power Block | \$249.00 | \$249.00 |
| 26 | 1 | PROIF72 | BOOST Pro 72" In-feed | \$384.00 | \$384.00 |
| 27 | 2 | PROR1 | BOOST Pro Duplex Receptacle Circuit 1 | \$52.00 | \$104.00 |
| 28 | 2 | PROR2 | BOOST Pro Duplex Receptacle Circuit 2 | \$52.00 | \$104.00 |
| 29 | 1 | PROR3 | BOOST Pro Duplex Receptacle Circuit 3 | \$52.00 | \$52.00 |
| 30 | 1 | PROR4 | BOOST Pro Duplex Receptacle, Controlled, Circuit 4 | \$52.00 | \$52.00 |
| 31 | 1 | PROSB | BOOST Pro Single Power Block | \$172.00 | \$172.00 |
| 32 | 2 | TBRC1830 | 30" Tackboard with Rounded Corners, Velcro for Mounting | \$172.00 | \$344.00 |
| 33 | 4 | TBRC1871 | 71" Tackboard with Rounded Corners, Velcro for Mounting | \$248.00 | \$992.00 |

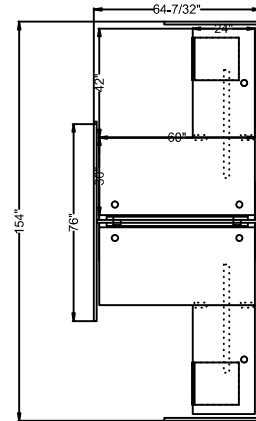
Total Clear Design \$24,682.02

DHAM2472R2448-F4



| # | Quantity | Part Number | Description | List | Ext. List |
|--------------|----------|-------------------|--|--------------------------------|------------|
| Clear Design | | | | | |
| 1 | 4 | B12GS33 | 33" Dry Erase Frosted Glass Divider [13" High] | \$360.00 | \$1,440.00 |
| 2 | 2 | B12GS70 | 71" Dry-Erase Frosted Glass Divider [13" High] | \$748.00 | \$1,496.00 |
| 3 | 5 | B12GS74 | 74" Dry Erase Frosted Glass Divider [13" High] | \$748.00 | \$3,740.00 |
| 4 | 4 | BASB72 | 42" Support Bar | \$173.00 | \$692.00 |
| 5 | 4 | BASBPRO | 42" Support Bar | \$0.01 | \$0.04 |
| 6 | 8 | BFB1 | Flat Bracket | \$8.00 | \$64.00 |
| 7 | 1 | BMZ.24 | 24" Braided Mesh Zipper Wire Manager | \$129.00 | \$129.00 |
| 8 | 4 | BPROAEPB | BOOST Pro Adjustable Panel Bracket, Set of 2 [For Laminate Panels] | \$243.00 | \$972.00 |
| 9 | 2 | BPROCB | BOOST Pro Cross Beam, Set of 2 [Includes Side Covers, For Facing Workstations] | \$293.00 | \$586.00 |
| 10 | 4 | BPROF | BOOST Pro Height-Adjustable Frame [For 48"-72" Workstations] | \$1,642.00 | \$6,568.00 |
| 11 | 2 | BPROLAEPB | Boost Pro Long Adjustable Panel Brackets [Set of 2] | \$113.00 | \$226.00 |
| 12 | 4 | BPROLF | BOOST Pro Height-Adjustable L-Shape Frame Adapter Kit | \$1,098.00 | \$4,392.00 |
| 13 | 2 | BPROLPC | Boost Pro Laminate Panel Clippers [Set of 2] | \$153.00 | \$306.00 |
| 14 | 2 | BPROSAEPB | Boost Pro Short Adjustable Panel Brackets [Set of 2] | \$113.00 | \$226.00 |
| 15 | 4 | DEND.4836 | Delta End Panel for Return Leg [48x36] | \$747.00 | \$2,988.00 |
| 16 | 2 | DFRO.2974 | Delta Front Panel Power Beam Mounted [29x74] | \$1,075.00 | \$2,150.00 |
| 17 | 4 | DRET.4877FA-K-OAK | Delta Return Panel for Facing Stations, 2-Piece [48x77] | \$1,382.00 | \$5,528.00 |
| 18 | 1 | DSID.4877FA-K-OAK | Delta Side Panel for Facing Stations, 2-Piece [48x77] | \$1,330.00 | \$1,330.00 |
| 19 | 4 | ELMBF | EDGE Laminate Mobile Box File | \$907.00 | \$3,628.00 |
| 20 | 4 | GB2448 | 24"x48" Surface [1" Thick, Includes 2 Pre-Installed Grommets] - FAST | \$363.00 | \$1,452.00 |
| 21 | 4 | GB2472 | 24"x72" Surface [1" Thick, Includes 2 Pre-Installed Grommets] - FAST | \$532.00 | \$2,128.00 |
| 22 | 2 | KIT-BPROTPB | BOOST Pro Expandable Power Beam and Data Tray [Includes Faceplates, Trim Plates, and Covers For Cutouts] | \$578.00 | \$1,156.00 |
| 23 | 4 | MGCC | Flexible Cable Chain [Includes 46 Links; Magnetic/Screw-Mount Base] | \$302.00 | \$1,208.00 |
| 24 | 11 | PG9 | Plastic Gasket for BSB9 | \$1.00 | \$11.00 |
| 25 | 2 | PROBC | BOOST Pro In-Line Power Block Connector | \$46.00 | \$92.00 |
| 26 | 2 | PRODB | BOOST Pro Double Power Block | \$249.00 | \$498.00 |
| 27 | 1 | PROIF72 | BOOST Pro 72" In-feed | \$384.00 | \$384.00 |
| 28 | 1 | PROJ61 | BOOST Pro 61" Jumper | \$326.00 | \$326.00 |
| 29 | 3 | PROR1 | BOOST Pro Duplex Receptacle Circuit 1 | \$52.00 | \$156.00 |
| 30 | 3 | PROR2 | BOOST Pro Duplex Receptacle Circuit 2 | \$52.00 | \$156.00 |
| 31 | 3 | PROR3 | BOOST Pro Duplex Receptacle Circuit 3 | \$52.00 | \$156.00 |
| 32 | 3 | PROR4 | BOOST Pro Duplex Receptacle, Controlled, Circuit 4 | \$52.00 | \$156.00 |
| 33 | 2 | PROSB | BOOST Pro Single Power Block | \$172.00 | \$344.00 |
| 34 | 2 | TBRC1830 | 30" Tackboard with Rounded Corners, Velcro for Mounting | \$172.00 | \$344.00 |
| 35 | 10 | TBRC1871 | 71" Tackboard with Rounded Corners, Velcro for Mounting | \$248.00 | \$2,480.00 |
| | | | | Total Clear Design \$47,508.04 | |

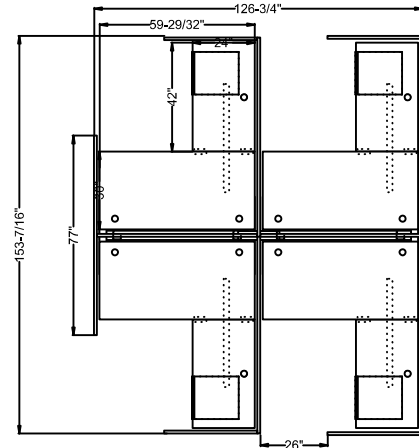
DHAM3060R2442-F2



| # | Quantity | Part Number | Description | List | Ext. List |
|--------------|----------|-------------------|--|------------|------------|
| Clear Design | | | | | |
| 1 | 2 | B12GS33 | 33" Dry Erase Frosted Glass Divider [13" High] | \$360.00 | \$720.00 |
| 2 | 1 | B12GS59 | 59" Dry Erase Frosted Glass Divider [13" High] | \$626.00 | \$626.00 |
| 3 | 3 | B12GS74 | 74" Dry Erase Frosted Glass Divider [13" High] | \$748.00 | \$2,244.00 |
| 4 | 2 | BASB72 | 42" Support Bar | \$173.00 | \$346.00 |
| 5 | 4 | BFB1 | Flat Bracket | \$8.00 | \$32.00 |
| 6 | 1 | BPROCB | BOOST Pro Cross Beam, Set of 2 [Includes Side Covers, For Facing Workstations] | \$293.00 | \$293.00 |
| 7 | 2 | BPROF | BOOST Pro Height-Adjustable Frame [For 48"-72" Workstations] | \$1,642.00 | \$3,284.00 |
| 8 | 1 | BPROLAEPB | Boost Pro Long Adjustable Panel Brackets [Set of 2] | \$113.00 | \$113.00 |
| 9 | 2 | BPROLF | BOOST Pro Height-Adjustable L-Shape Frame Adapter Kit | \$1,098.00 | \$2,196.00 |
| 10 | 1 | BPROLPC | Boost Pro Laminate Panel Clippers [Set of 2] | \$153.00 | \$153.00 |
| 11 | 3 | BPROSAEPB | Boost Pro Short Adjustable Panel Brackets [Set of 2] | \$113.00 | \$339.00 |
| 12 | 2 | DEND.4836 | Delta End Panel for Return Leg [48x36] | \$747.00 | \$1,494.00 |
| 13 | 1 | DFRO.2962 | Delta Front Panel Power Beam Mounted [29x62] | \$819.00 | \$819.00 |
| 14 | 2 | DRET.4877FA-K-OAK | Delta Return Panel for Facing Stations, 2-Piece [48x77] | \$1,382.00 | \$2,764.00 |
| 15 | 1 | DSID.4877FA-K-OAK | Delta Side Panel for Facing Stations, 2-Piece [48x77] | \$1,330.00 | \$1,330.00 |
| 16 | 2 | ELMBF | EDGE Laminate Mobile Box File | \$907.00 | \$1,814.00 |
| 17 | 2 | GB2442 | 24"x42" Cross-Grain Surface [1" Thick, Includes 1 Pre-Installed Grommet] - FAST | \$317.00 | \$634.00 |
| 18 | 2 | GB3060 | 30"x60" Surface [1" Thick, Includes 2 Pre-Installed Grommets] - FAST | \$575.00 | \$1,150.00 |
| 19 | 1 | KIT-BPROTPB | BOOST Pro Expandable Power Beam and Data Tray [Includes Faceplates, Trim Plates, and Covers For Cutouts] | \$578.00 | \$578.00 |
| 20 | 2 | MGCC | Flexible Cable Chain [Includes 46 Links; Magnetic/Screw-Mount Base] | \$302.00 | \$604.00 |
| 21 | 6 | PG9 | Plastic Gasket for BSB9 | \$1.00 | \$6.00 |
| 22 | 1 | PROBC | BOOST Pro In-Line Power Block Connector | \$46.00 | \$46.00 |
| 23 | 1 | PRODB | BOOST Pro Double Power Block | \$249.00 | \$249.00 |
| 24 | 1 | PROIF72 | BOOST Pro 72" In-feed | \$384.00 | \$384.00 |
| 25 | 2 | PROR1 | BOOST Pro Duplex Receptacle Circuit 1 | \$52.00 | \$104.00 |
| 26 | 2 | PROR2 | BOOST Pro Duplex Receptacle Circuit 2 | \$52.00 | \$104.00 |
| 27 | 1 | PROR3 | BOOST Pro Duplex Receptacle Circuit 3 | \$52.00 | \$52.00 |
| 28 | 1 | PROR4 | BOOST Pro Duplex Receptacle, Controlled, Circuit 4 | \$52.00 | \$52.00 |
| 29 | 1 | PROSB | BOOST Pro Single Power Block | \$172.00 | \$172.00 |
| 30 | 2 | TBRC1830 | 30" Tackboard with Rounded Corners, Velcro for Mounting | \$172.00 | \$344.00 |
| 31 | 2 | TBRC1859 | 59" Tackboard with Rounded Corners, Velcro for Mounting | \$205.00 | \$410.00 |
| 32 | 2 | TBRC1871 | 71" Tackboard with Rounded Corners, Velcro for Mounting | \$248.00 | \$496.00 |

Total Clear Design \$23,952.00

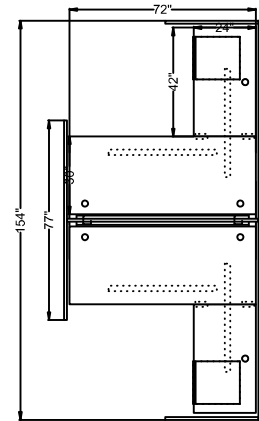
DHAM3060R2442-F4



| # | Quantity | Part Number | Description | List | Ext. List |
|--------------|----------|-------------------|--|------------|------------|
| Clear Design | | | | | |
| 1 | 4 | B12GS33 | 33" Dry Erase Frosted Glass Divider [13" High] | \$360.00 | \$1,440.00 |
| 2 | 2 | B12GS59 | 59" Dry Erase Frosted Glass Divider [13" High] | \$626.00 | \$1,252.00 |
| 3 | 5 | B12GS74 | 74" Dry Erase Frosted Glass Divider [13" High] | \$748.00 | \$3,740.00 |
| 4 | 4 | BASB72 | 42" Support Bar | \$173.00 | \$692.00 |
| 5 | 8 | BFB1 | Flat Bracket | \$8.00 | \$64.00 |
| 6 | 1 | BMZ.24 | 24" Braided Mesh Zipper Wire Manager | \$129.00 | \$129.00 |
| 7 | 2 | BPROCB | BOOST Pro Cross Beam, Set of 2 [Includes Side Covers, For Facing Workstations] | \$293.00 | \$586.00 |
| 8 | 4 | BPROF | BOOST Pro Height-Adjustable Frame [For 48"-72" Workstations] | \$1,642.00 | \$6,568.00 |
| 9 | 2 | BPROLAEPB | Boost Pro Long Adjustable Panel Brackets [Set of 2] | \$113.00 | \$226.00 |
| 10 | 4 | BPROLF | BOOST Pro Height-Adjustable L-Shape Frame Adapter Kit | \$1,098.00 | \$4,392.00 |
| 11 | 2 | BPROLPC | Boost Pro Laminate Panel Clippers [Set of 2] | \$153.00 | \$306.00 |
| 12 | 6 | BPROSAEPB | Boost Pro Short Adjustable Panel Brackets [Set of 2] | \$113.00 | \$678.00 |
| 13 | 4 | DEND.4836 | Delta End Panel for Return Leg [48x36] | \$747.00 | \$2,988.00 |
| 14 | 2 | DFRO.2962 | Delta Front Panel Power Beam Mounted [29x62] | \$819.00 | \$1,638.00 |
| 15 | 4 | DRET.4877FA-K-OAK | Delta Return Panel for Facing Stations, 2-Piece [48x77] | \$1,382.00 | \$5,528.00 |
| 16 | 1 | DSID.4877FA-K-OAK | Delta Side Panel for Facing Stations, 2-Piece [48x77] | \$1,330.00 | \$1,330.00 |
| 17 | 4 | ELMBF | EDGE Laminate Mobile Box File | \$907.00 | \$3,628.00 |
| 18 | 4 | GB2442 | 24"x42" Cross-Grain Surface [1" Thick, Includes 1 Pre-Installed Grommet] - FAST | \$317.00 | \$1,268.00 |
| 19 | 4 | GB3060 | 30"x60" Surface [1" Thick, Includes 2 Pre-Installed Grommets] - FAST | \$575.00 | \$2,300.00 |
| 20 | 2 | KIT-BPROTPB | BOOST Pro Expandable Power Beam and Data Tray [Includes Faceplates, Trim Plates, and Covers For Cutouts] | \$578.00 | \$1,156.00 |
| 21 | 4 | MGCC | Flexible Cable Chain [Includes 46 Links; Magnetic/Screw-Mount Base] | \$302.00 | \$1,208.00 |
| 22 | 11 | PG9 | Plastic Gasket for BSB9 | \$1.00 | \$11.00 |
| 23 | 2 | PROBC | BOOST Pro In-Line Power Block Connector | \$46.00 | \$92.00 |
| 24 | 2 | PRODB | BOOST Pro Double Power Block | \$249.00 | \$498.00 |
| 25 | 1 | PROIF72 | BOOST Pro 72" In-feed | \$384.00 | \$384.00 |
| 26 | 1 | PROJ49 | BOOST Pro 49" Jumper | \$277.00 | \$277.00 |
| 27 | 3 | PROR1 | BOOST Pro Duplex Receptacle Circuit 1 | \$52.00 | \$156.00 |
| 28 | 3 | PROR2 | BOOST Pro Duplex Receptacle Circuit 2 | \$52.00 | \$156.00 |
| 29 | 3 | PROR3 | BOOST Pro Duplex Receptacle Circuit 3 | \$52.00 | \$156.00 |
| 30 | 3 | PROR4 | BOOST Pro Duplex Receptacle, Controlled, Circuit 4 | \$52.00 | \$156.00 |
| 31 | 2 | PROSB | BOOST Pro Single Power Block | \$172.00 | \$344.00 |
| 32 | 2 | TBRC1830 | 30" Tackboard with Rounded Corners, Velcro for Mounting | \$172.00 | \$344.00 |
| 33 | 4 | TBRC1859 | 59" Tackboard with Rounded Corners, Velcro for Mounting | \$205.00 | \$820.00 |
| 34 | 6 | TBRC1871 | 71" Tackboard with Rounded Corners, Velcro for Mounting | \$248.00 | \$1,488.00 |

Total Clear Design \$45,999.00

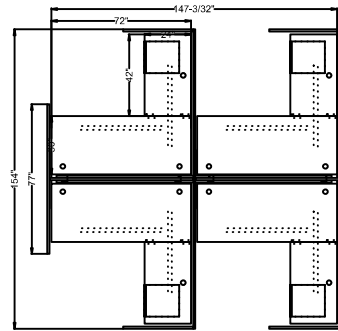
DHAM3072R2442-F2



| # | Quantity | Part Number | Description | List | Ext. List |
|--------------|----------|-------------------|--|------------|------------|
| Clear Design | | | | | |
| 1 | 2 | B12GS33 | 33" Dry Erase Frosted Glass Divider [13" High] | \$360.00 | \$720.00 |
| 2 | 1 | B12GS70 | 71" Dry-Erase Frosted Glass Divider [13" High] | \$748.00 | \$748.00 |
| 3 | 3 | B12GS74 | 74" Dry Erase Frosted Glass Divider [13" High] | \$748.00 | \$2,244.00 |
| 4 | 2 | BASB72 | 42" Support Bar | \$173.00 | \$346.00 |
| 5 | 2 | BASBPRO | 42" Support Bar | \$0.01 | \$0.02 |
| 6 | 4 | BFB1 | Flat Bracket | \$8.00 | \$32.00 |
| 7 | 2 | BPROAEPB | BOOST Pro Adjustable Panel Bracket, Set of 2 [For Laminate Panels] | \$243.00 | \$486.00 |
| 8 | 1 | BPROCB | BOOST Pro Cross Beam, Set of 2 [Includes Side Covers, For Facing Workstations] | \$293.00 | \$293.00 |
| 9 | 2 | BPROF | BOOST Pro Height-Adjustable Frame [For 48"-72" Workstations] | \$1,642.00 | \$3,284.00 |
| 10 | 1 | BPROLAEPB | Boost Pro Long Adjustable Panel Brackets [Set of 2] | \$113.00 | \$113.00 |
| 11 | 2 | BPROLF | BOOST Pro Height-Adjustable L-Shape Frame Adapter Kit | \$1,098.00 | \$2,196.00 |
| 12 | 1 | BPROLPC | Boost Pro Laminate Panel Clippers [Set of 2] | \$153.00 | \$153.00 |
| 13 | 1 | BPROSAEPB | Boost Pro Short Adjustable Panel Brackets [Set of 2] | \$113.00 | \$113.00 |
| 14 | 2 | DEND.4836 | Delta End Panel for Return Leg [48x36] | \$747.00 | \$1,494.00 |
| 15 | 1 | DFRO.2974 | Delta Front Panel Power Beam Mounted [29x74] | \$1,075.00 | \$1,075.00 |
| 16 | 2 | DRET.4877FA-K-OAK | Delta Return Panel for Facing Stations, 2-Piece [48x77] | \$1,382.00 | \$2,764.00 |
| 17 | 1 | DSID.4877FA-K-OAK | Delta Side Panel for Facing Stations, 2-Piece [48x77] | \$1,330.00 | \$1,330.00 |
| 18 | 2 | ELMBF | EDGE Laminate Mobile Box File | \$907.00 | \$1,814.00 |
| 19 | 2 | GB2442 | 24"x42" Cross-Grain Surface [1" Thick, Includes 1 Pre-Installed Grommet] - FAST | \$317.00 | \$634.00 |
| 20 | 2 | GB3072 | 30"x72" Surface [1" Thick, Includes 2 Pre-Installed Grommets] - FAST | \$660.00 | \$1,320.00 |
| 21 | 1 | KIT-BPROTPB | BOOST Pro Expandable Power Beam and Data Tray [Includes Faceplates, Trim Plates, and Covers For Cutouts] | \$578.00 | \$578.00 |
| 22 | 2 | MGCC | Flexible Cable Chain [Includes 46 Links; Magnetic/Screw-Mount Base] | \$302.00 | \$604.00 |
| 23 | 6 | PG9 | Plastic Gasket for BSB9 | \$1.00 | \$6.00 |
| 24 | 1 | PROBC | BOOST Pro In-Line Power Block Connector | \$46.00 | \$46.00 |
| 25 | 1 | PRODB | BOOST Pro Double Power Block | \$249.00 | \$249.00 |
| 26 | 1 | PROIF72 | BOOST Pro 72" In-feed | \$384.00 | \$384.00 |
| 27 | 2 | PROR1 | BOOST Pro Duplex Receptacle Circuit 1 | \$52.00 | \$104.00 |
| 28 | 2 | PROR2 | BOOST Pro Duplex Receptacle Circuit 2 | \$52.00 | \$104.00 |
| 29 | 1 | PROR3 | BOOST Pro Duplex Receptacle Circuit 3 | \$52.00 | \$52.00 |
| 30 | 1 | PROR4 | BOOST Pro Duplex Receptacle, Controlled, Circuit 4 | \$52.00 | \$52.00 |
| 31 | 1 | PROSB | BOOST Pro Single Power Block | \$172.00 | \$172.00 |
| 32 | 2 | TBRC1830 | 30" Tackboard with Rounded Corners, Velcro for Mounting | \$172.00 | \$344.00 |
| 33 | 4 | TBRC1871 | 71" Tackboard with Rounded Corners, Velcro for Mounting | \$248.00 | \$992.00 |

Total Clear Design \$24,846.02

DHAM3072R2442-F4



| # | Quantity | Part Number | Description | List | Ext. List |
|--------------|----------|-------------------|--|--------------------|-------------|
| Clear Design | | | | | |
| 1 | 4 | B12GS33 | 33" Dry Erase Frosted Glass Divider [13" High] | \$360.00 | \$1,440.00 |
| 2 | 2 | B12GS70 | 71" Dry-Erase Frosted Glass Divider [13" High] | \$748.00 | \$1,496.00 |
| 3 | 5 | B12GS74 | 74" Dry Erase Frosted Glass Divider [13" High] | \$748.00 | \$3,740.00 |
| 4 | 4 | BASB72 | 42" Support Bar | \$173.00 | \$692.00 |
| 5 | 4 | BASBPRO | 42" Support Bar | \$0.01 | \$0.04 |
| 6 | 8 | BFB1 | Flat Bracket | \$8.00 | \$64.00 |
| 7 | 1 | BMZ.24 | 24" Braided Mesh Zipper Wire Manager | \$129.00 | \$129.00 |
| 8 | 4 | BPROAEPB | BOOST Pro Adjustable Panel Bracket, Set of 2 [For Laminate Panels] | \$243.00 | \$972.00 |
| 9 | 2 | BPROCB | BOOST Pro Cross Beam, Set of 2 [Includes Side Covers, For Facing Workstations] | \$293.00 | \$586.00 |
| 10 | 4 | BPROF | BOOST Pro Height-Adjustable Frame [For 48"-72" Workstations] | \$1,642.00 | \$6,568.00 |
| 11 | 2 | BPROLAEPB | Boost Pro Long Adjustable Panel Brackets [Set of 2] | \$113.00 | \$226.00 |
| 12 | 4 | BPROLF | BOOST Pro Height-Adjustable L-Shape Frame Adapter Kit | \$1,098.00 | \$4,392.00 |
| 13 | 2 | BPROLPC | Boost Pro Laminate Panel Clippers [Set of 2] | \$153.00 | \$306.00 |
| 14 | 2 | BPROSAEPB | Boost Pro Short Adjustable Panel Brackets [Set of 2] | \$113.00 | \$226.00 |
| 15 | 4 | DEND.4836 | Delta End Panel for Return Leg [48x36] | \$747.00 | \$2,988.00 |
| 16 | 2 | DFRO.2974 | Delta Front Panel Power Beam Mounted [29x74] | \$1,075.00 | \$2,150.00 |
| 17 | 4 | DRET.4877FA-K-OAK | Delta Return Panel for Facing Stations, 2-Piece [48x77] | \$1,382.00 | \$5,528.00 |
| 18 | 1 | DSID.4877FA-K-OAK | Delta Side Panel for Facing Stations, 2-Piece [48x77] | \$1,330.00 | \$1,330.00 |
| 19 | 4 | ELMBF | EDGE Laminate Mobile Box File | \$907.00 | \$3,628.00 |
| 20 | 4 | GB2442 | 24"x42" Cross-Grain Surface [1" Thick, Includes 1 Pre-Installed Grommet] - FAST | \$317.00 | \$1,268.00 |
| 21 | 4 | GB3072 | 30"x72" Surface [1" Thick, Includes 2 Pre-Installed Grommets] - FAST | \$660.00 | \$2,640.00 |
| 22 | 2 | KIT-BPROTPB | BOOST Pro Expandable Power Beam and Data Tray [Includes Faceplates, Trim Plates, and Covers For Cutouts] | \$578.00 | \$1,156.00 |
| 23 | 4 | MGCC | Flexible Cable Chain [Includes 46 Links; Magnetic/Screw-Mount Base] | \$302.00 | \$1,208.00 |
| 24 | 11 | PG9 | Plastic Gasket for BSB9 | \$1.00 | \$11.00 |
| 25 | 2 | PROBC | BOOST Pro In-Line Power Block Connector | \$46.00 | \$92.00 |
| 26 | 2 | PRODB | BOOST Pro Double Power Block | \$249.00 | \$498.00 |
| 27 | 1 | PROIF72 | BOOST Pro 72" In-feed | \$384.00 | \$384.00 |
| 28 | 1 | PROJ61 | BOOST Pro 61" Jumper | \$326.00 | \$326.00 |
| 29 | 2 | PROR1 | BOOST Pro Duplex Receptacle Circuit 1 | \$52.00 | \$104.00 |
| 30 | 3 | PROR2 | BOOST Pro Duplex Receptacle Circuit 2 | \$52.00 | \$156.00 |
| 31 | 4 | PROR3 | BOOST Pro Duplex Receptacle Circuit 3 | \$52.00 | \$208.00 |
| 32 | 3 | PROR4 | BOOST Pro Duplex Receptacle, Controlled, Circuit 4 | \$52.00 | \$156.00 |
| 33 | 2 | PROSB | BOOST Pro Single Power Block | \$172.00 | \$344.00 |
| 34 | 2 | TBRC1830 | 30" Tackboard with Rounded Corners, Velcro for Mounting | \$172.00 | \$344.00 |
| 35 | 10 | TBRC1871 | 71" Tackboard with Rounded Corners, Velcro for Mounting | \$248.00 | \$2,480.00 |
| | | | | Total Clear Design | \$47,836.04 |