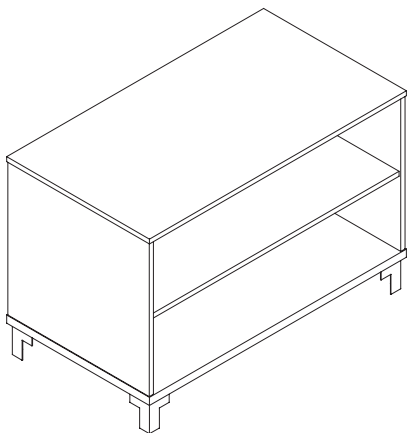


**CLEAR**  
DESIGN

BLLOS2



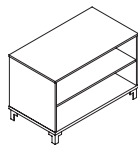
## LOW OPEN SHELF LATERAL

Includes options install of BLLBF Merging Top

\*General Guide | See Master Plan



# LOW OPEN SHELF LATERAL

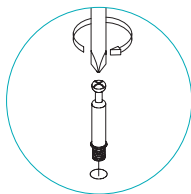
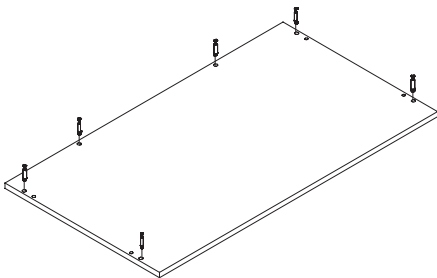


## PARTS LIST

ITEM CODE	QTY	PRODUCT CODE	
	1	Top Panel (not needed)	
	1	Bottom Panel	
	1	Fixed Shelf Panel	
	2	End Panels	
	1	Back Panel	
LSF	4	Corner Foot	

## 1 | SCREW CAM PINS INTO BOTTOM PANEL

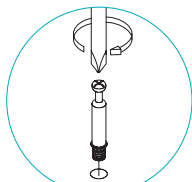
Requires 6 cam pins.



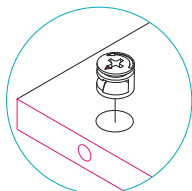
Cam Pin

## 2 | INSERT HARDWARE INTO END PANELS

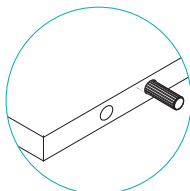
Requires 4 Wooden Dowels, 4 cam locks and 4 cam pins.



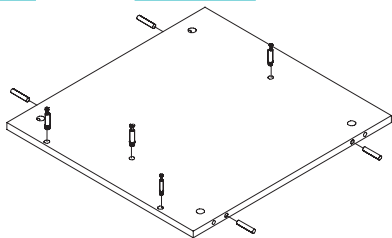
Cam Pin



Cam Lock

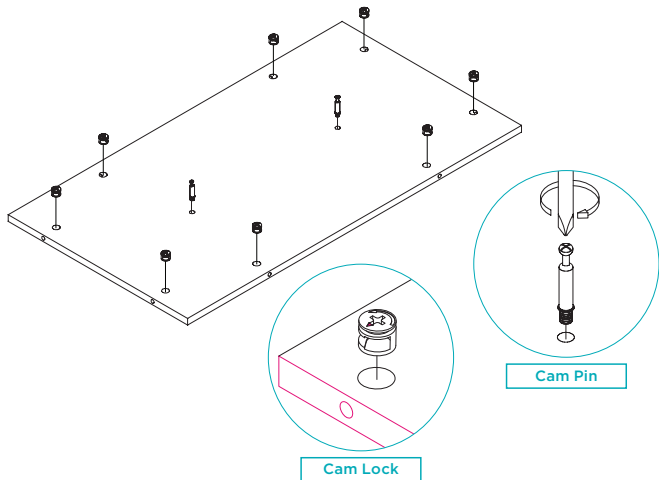


Wooden Dowel



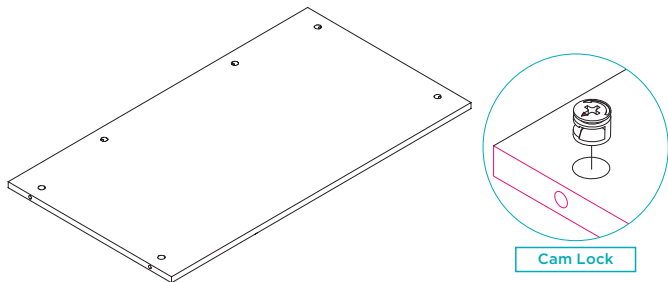
### 3 | INSERT HARDWARE INTO BACK PANEL

Requires 2 cam pins and 8 cam locks



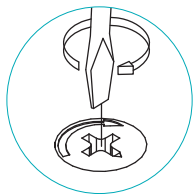
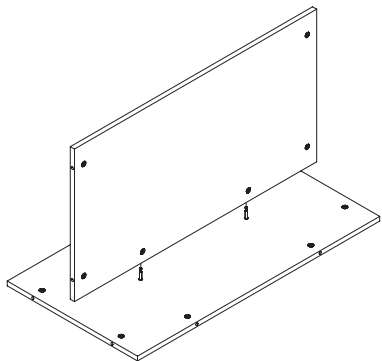
### 4 | INSERT CAM LOCKS INTO FIXED SHELF

Requires 6 cam locks.



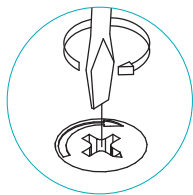
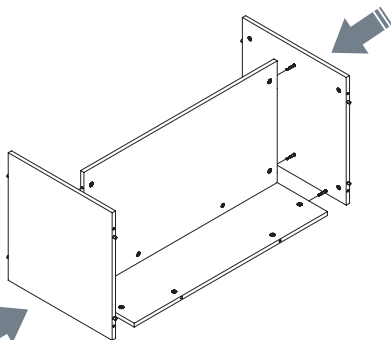
## 5 | SECURE FIXED SHELF TO BACK PANEL

Align the cam pins so that they sit inside of open cam locks. Use a screwdriver to turn cam locks clockwise and lock into place.



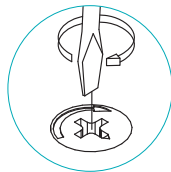
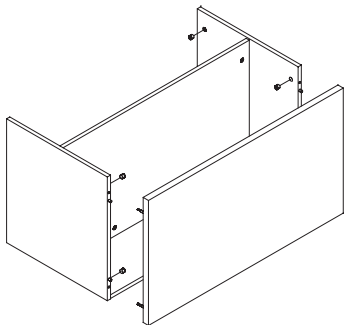
## 6 | SECURE END PANELS

Align the cam pins so that they sit inside of open cam locks. Use a screwdriver to turn cam locks clockwise and lock into place.



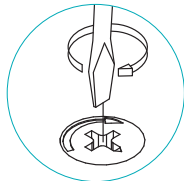
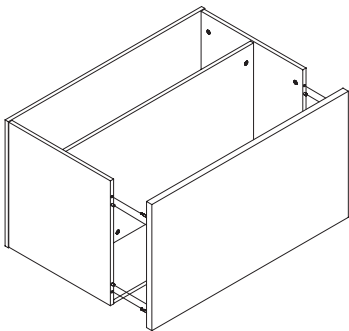
## 7 | SECURE BOTTOM PANEL

Align the cam pins so that they sit inside of open cam locks. Use a screwdriver to turn cam locks clockwise and lock into place.



## 8 | SECURE TOP PANEL

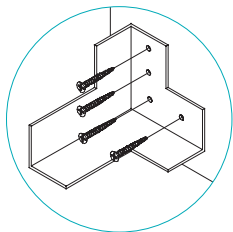
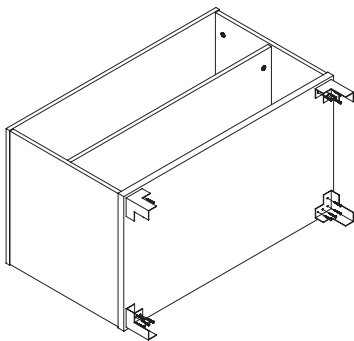
Align the cam pins so that they sit inside of open cam locks. Use a screwdriver to turn cam locks clockwise and lock into place.



**DO NOT** Install Top Panel if you are merging storage

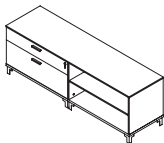
## 9 | SECURE FEET TO BOTTOM PANEL

Attach corner feet to the bottom panel with 4 wood screws per foot.








## OPTIONAL MERGING TOPPER

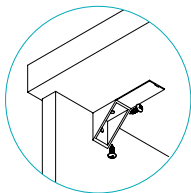
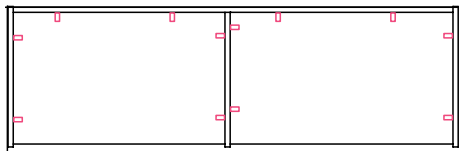


### PARTS LIST

ITEM CODE	QTY	PRODUCT CODE	
BLLBFV2	1	Low Bow/File Lateral	
BLLOSV2	1	Low Open Shelf Lateral	
GBLLT2	1	Laminate Merging Top	

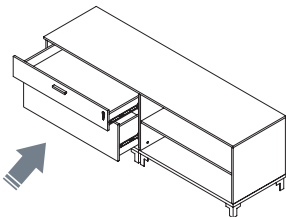
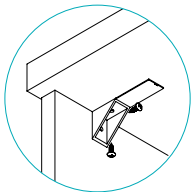
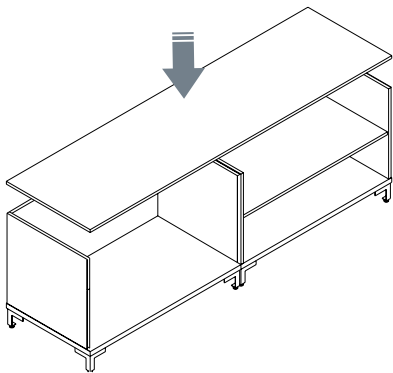
## 4 | CONNECT BRACKETS TO TOP PANEL

Attached 12 corner brackets to top panel using wood screws in the places shown below.

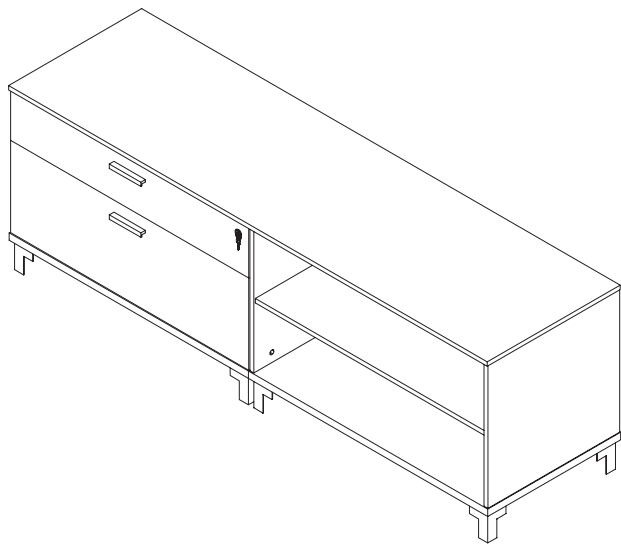


## 5 | ATTACH TOP TO STORAGE

Set storage side-by-side then align top panel so it is flush with sides, back and front of storage. Use wood screws to secure corner brackets to inside of storage. Insert drawers.



### 3 | REPLACE DRAWERS & COMPLETE!





**CLEAR**  
DESIGN

Workspace made easy

210.648.2095 | [mycleardesign.com](https://mycleardesign.com)

© 2021 Clear Design. All rights reserved.