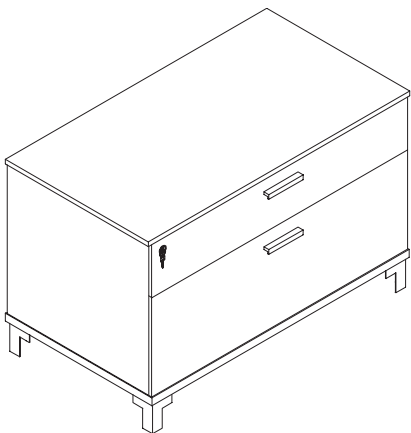




BLLBFV2

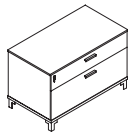


LOW BOX/FILE LATERAL



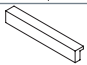

Includes options install of BLLBF Merging Top

*General Guide | See Master Plan

LOW BOX/FILE LATERAL

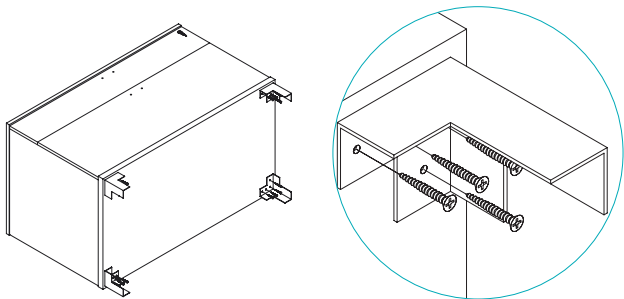


PARTS LIST

ITEM CODE	QTY	PRODUCT CODE	
BLLBFV2	1	Low Box/File Lateral	
LSF	4	Corner Foot	
	2	Handles	
GBLLT2	1	Laminate Merging Top	

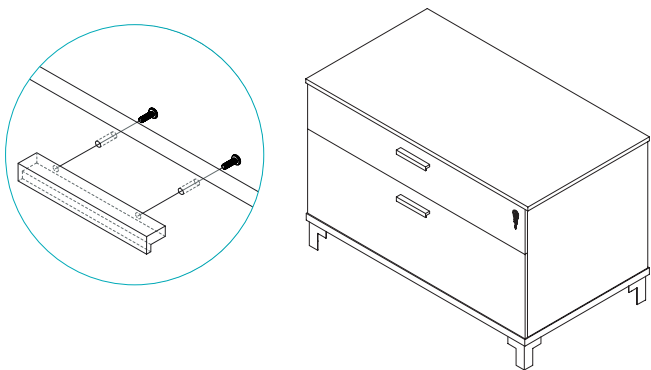
1 | SECURE FEET TO STORAGE AND FLIP

Flip storage piece so it is laying on its back; secure foot to each corner using 4 wood screws.

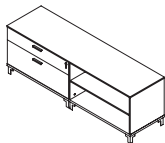


2 | ATTACH HANDLES

Using 2 bolts each, attach handles to front of drawers.



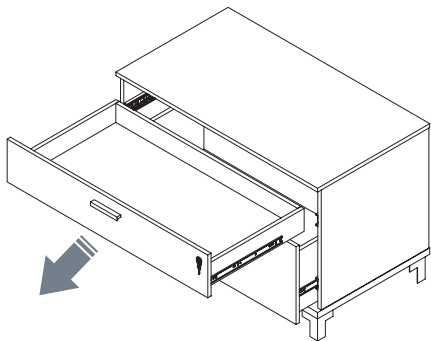
OPTIONAL MERGING TOPPER



PARTS LIST

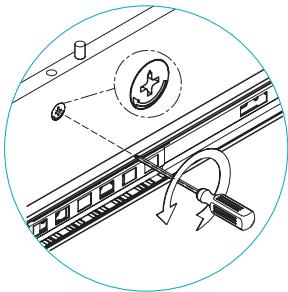
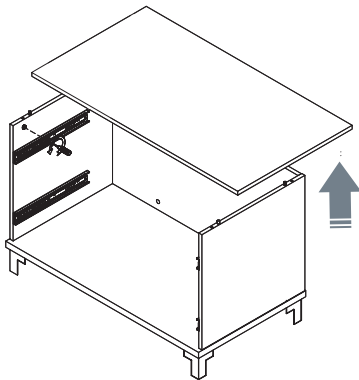
ITEM CODE	QTY	PRODUCT CODE	
BLLBFV2	1	Low Bow/File Lateral	A line drawing of a small, rectangular unit with two drawers and a central open shelf.
BLLOS2	1	Low Open Shelf Lateral	A line drawing of a small, rectangular unit with two open shelves.
GBLLT2	1	Laminate Merging Top	A line drawing of a long, thin rectangular piece, representing the merging top.

1 | REMOVE DRAWERS FROM BLLBFV2



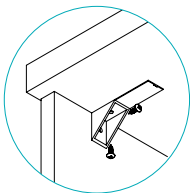
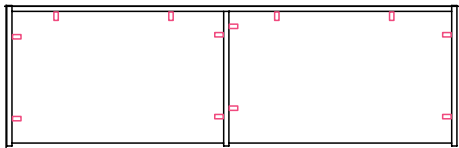
2 | REMOVE STORAGE TOP

Locate the 6 cam locks across top edge on the inside of the storage piece. Then, use a screwdriver to turn cam locks counterclockwise to unlock. Carefully lift top from storage.



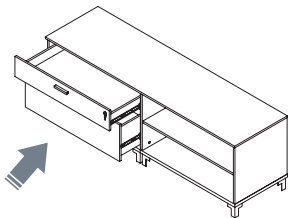
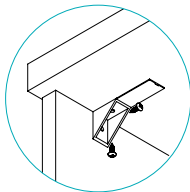
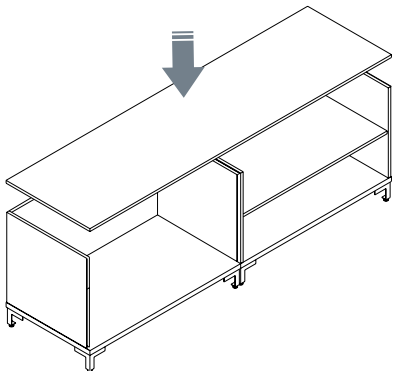
3 | CONNECT BRACKETS TO TOP PANEL

Attached 12 corner brackets to top panel using wood screws in the places shown below.



4 | ATTACH TOP TO STORAGE

Set storage side-by-side then align top panel so it is flush with sides, back and front of storage. Use wood screws to secure corner brackets to inside of storage. Insert drawers.





CLEAR
DESIGN

Workspace made easy

210.648.2095 | mycleardesign.com

© 2021 Clear Design. All rights reserved.